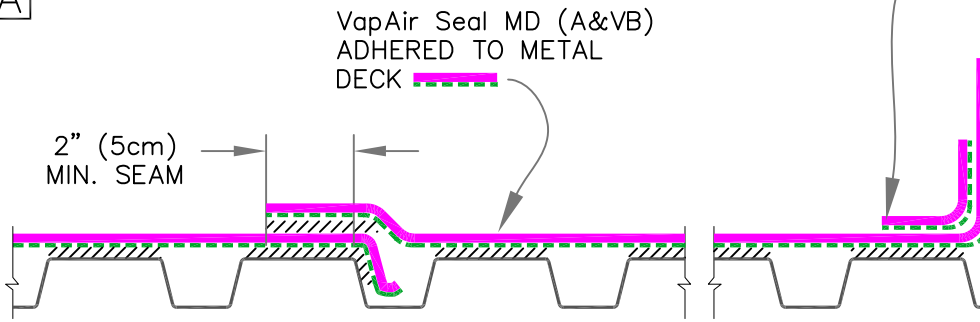


AIR / VAPOR CONTROL LAYERS

SIDE LAP DETAIL

A



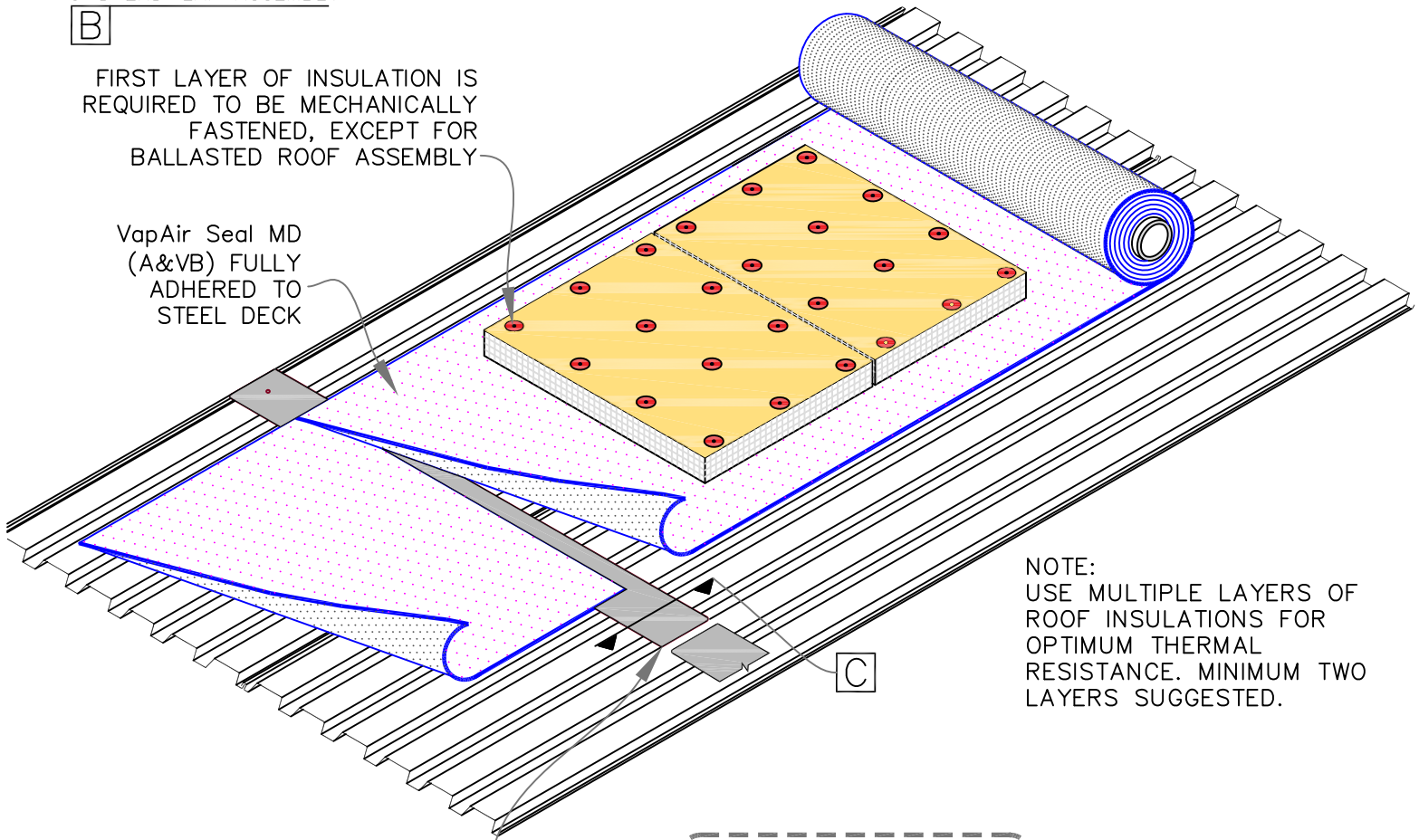
SEE [MD-0](#) PAGE
[2 OF 2](#)

3-D END-LAP ASSEMBLY

B

FIRST LAYER OF INSULATION IS
REQUIRED TO BE MECHANICALLY
FASTENED, EXCEPT FOR
BALLASTED ROOF ASSEMBLY

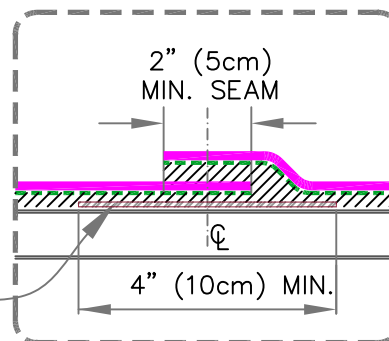
VapAir Seal MD
(A&VB) FULLY
ADHERED TO
STEEL DECK



NOTE:
USE MULTIPLE LAYERS OF
ROOF INSULATIONS FOR
OPTIMUM THERMAL
RESISTANCE. MINIMUM TWO
LAYERS SUGGESTED.

MIN. 4" (10cm) WIDE METAL STRIPS
UNDER END LAPS WITH ROUNDED
CORNERS, CENTRALLY ALIGNED WITH
SEAM ABOVE.

OPTION:
CONTRACTOR MAY USE VapAir Seal MD
STRIPPING IN LIEU OF SHEET METAL
STRIPPING.



SEAM CROSS-SECTION





C

SEE [MD-0 \(PAGE 1 & 2\)](#) FOR
ADDITIONAL INFORMATION

VapAir Seal MD



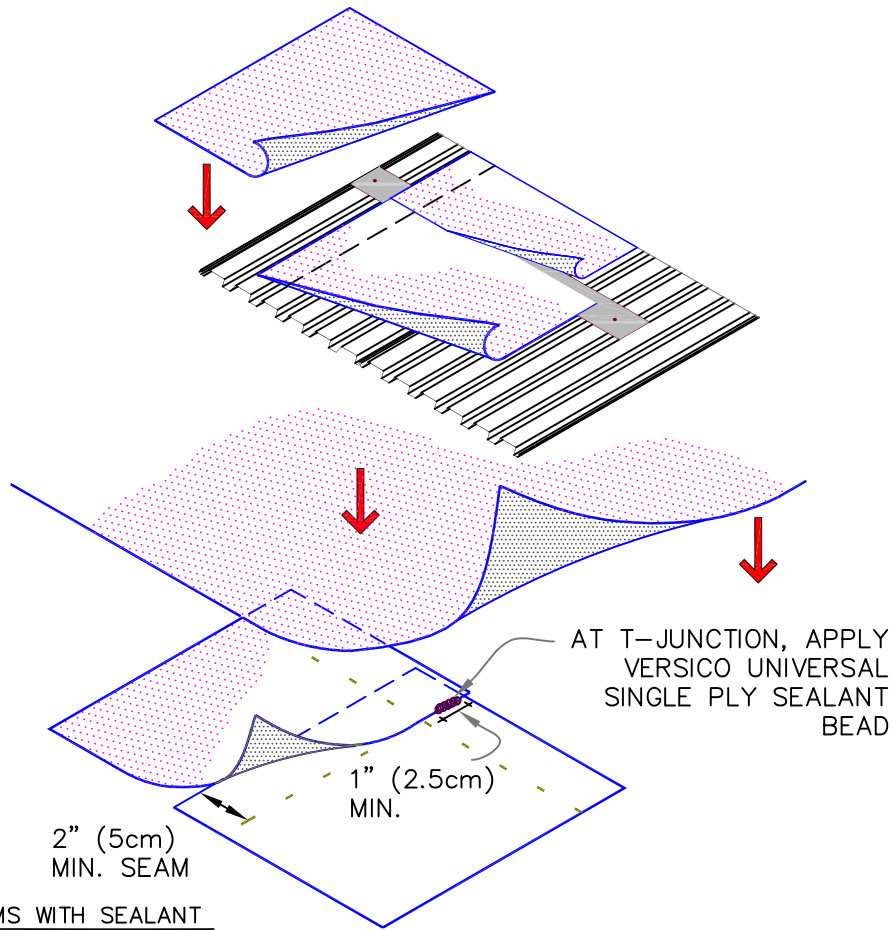
INSTALLATION
(PAGE 1 OF 2)

-  VapAir Seal MD
-  ROOF MEMBRANE
-  CAV-GRIP, CCW-702
OR CCW-702LV
-  SEE NOTE(S)

DETAIL NO.

MD-0

ADHERED A&VB

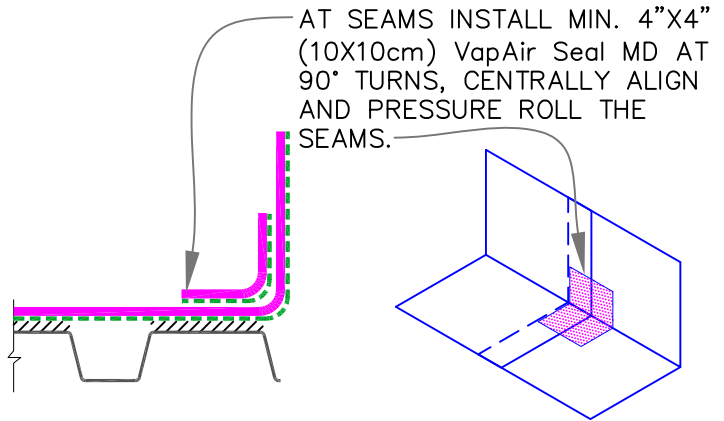


T-JUNCTION OF SEAMS WITH SEALANT

D

NOTES:

1. EXTEND VapAir Seal MD TO TOP EDGE OF ROOF INSULATION OR MIN. 2" (5cm).
2. HAND ROLL VERTICAL SURFACES WITH 2" (5cm) WIDE PRESSURE ROLLER.
3. WHEN VapAir Seal MD HAS TO BE EXTENDED UP THE WALL (TO SEAL WITH EXTERIOR WALL BARRIERS), IT SHOULD BE COVERED WITH INSULATION BOARD (MIN. R-VALUE 6) TO AVOID CONDENSATION AND ALSO TO AVOID UNEQUAL EXPANSION/CONTRACTION OF MEMBRANES. BOARD WILL PROVIDE A SUBSTRATE FOR ROOF MEMBRANE ALSO.
4. DIRECT ADHESION OF ROOF MEMBRANE TO VapAir Seal MD IS NOT RECOMMENDED.



ROOF TO WALL TRANSITION

E

SEE MD-0 (PAGE 1 & 2) FOR ADDITIONAL INFORMATION

VapAir Seal MD



INSTALLATION
(PAGE 2 OF 2)

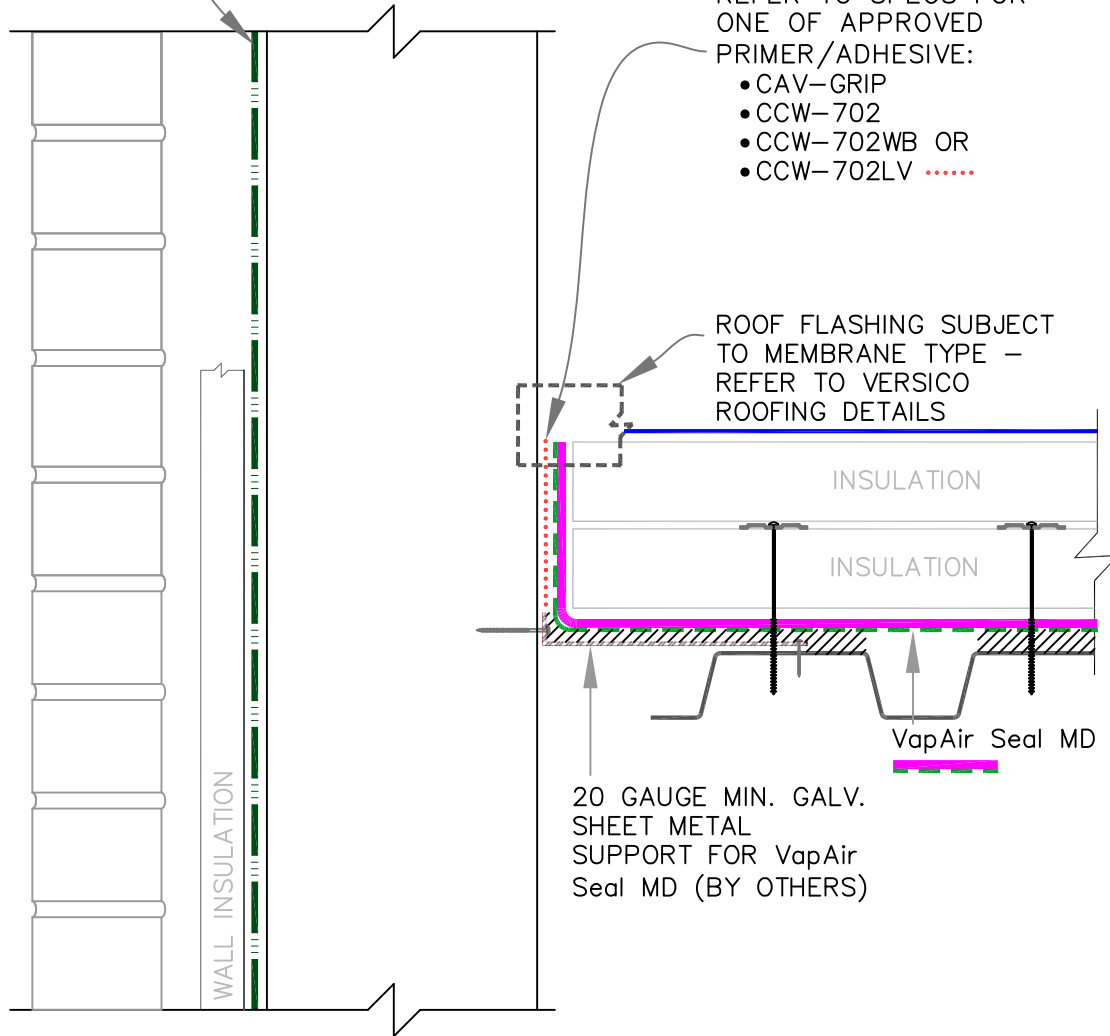
- VapAir Seal MD
- ROOF MEMBRANE
- CAV-GRIP, CCW-702 OR CCW-702LV
- SEE NOTE(S)

DETAIL NO.

MD-0

ADHERED A&VB

TYPICAL EXTERIOR WALL BARRIER



SEE [MD-0 \(PAGE 1 & 2\)](#) FOR ADDITIONAL INFORMATION

VapAir Seal MD



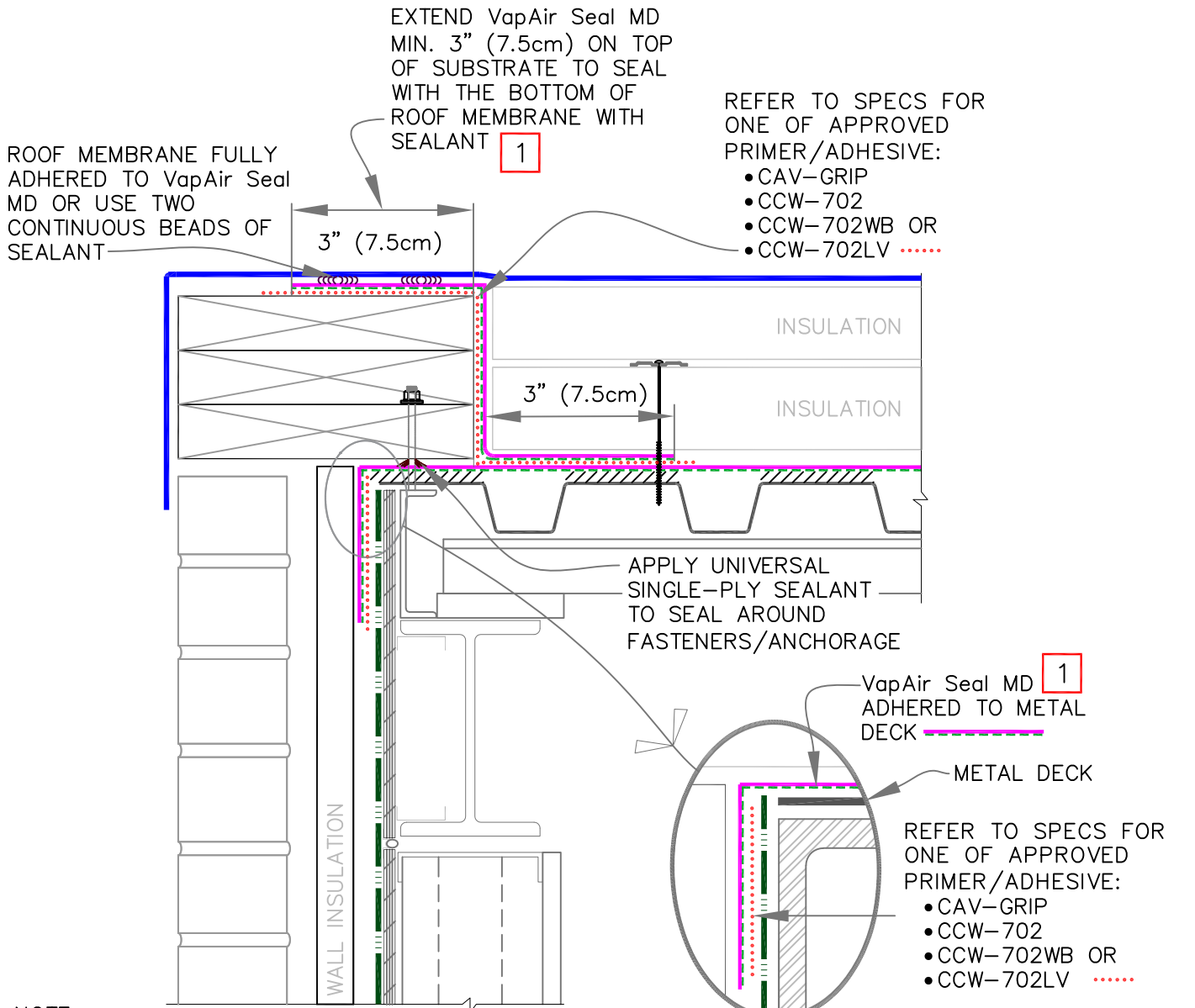
PARAPET (NO TIE-IN TO WALL VAPOR BARRIER)

- VapAir Seal MD
- ROOF MEMBRANE
- CAV-GRIP, CCW-702 OR CCW-702LV
- 1 → SEE NOTE(S)

DETAIL NO.

MD-1.1

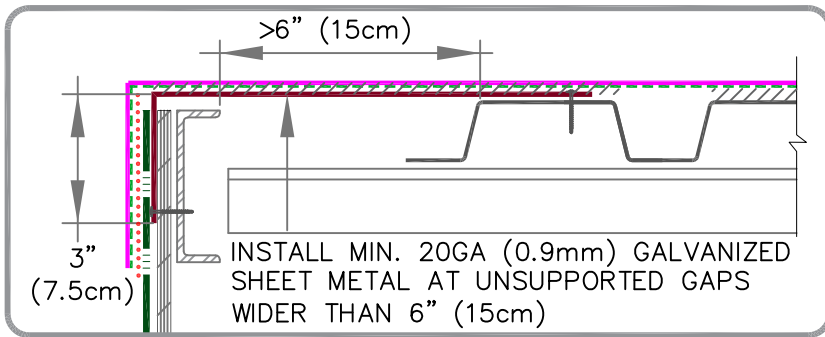
ADHERED A&VB



NOTE

1. OPTION: CONTRACTOR MAY USE ELASTOFROM FLASHING IN LIEU OF VapAir Seal MD.

WALL'S A&VB OVERLAPS MIN. 3" (7.5cm) IN SHINGLED OR NON-SHINGLED FASHION PER MANUFACTURER'S INSTRUCTIONS



SEE [MD-0 \(PAGE 1 & 2\)](#) FOR ADDITIONAL INFORMATION

VapAir Seal MD



ROOF EDGE: ROOF A&VB TIE-IN TO WALL A&VB

- VapAir Seal MD
- ROOF MEMBRANE
- CAV-GRIP, CCW-702 OR CCW-702LV
- 1** → SEE NOTE(S)

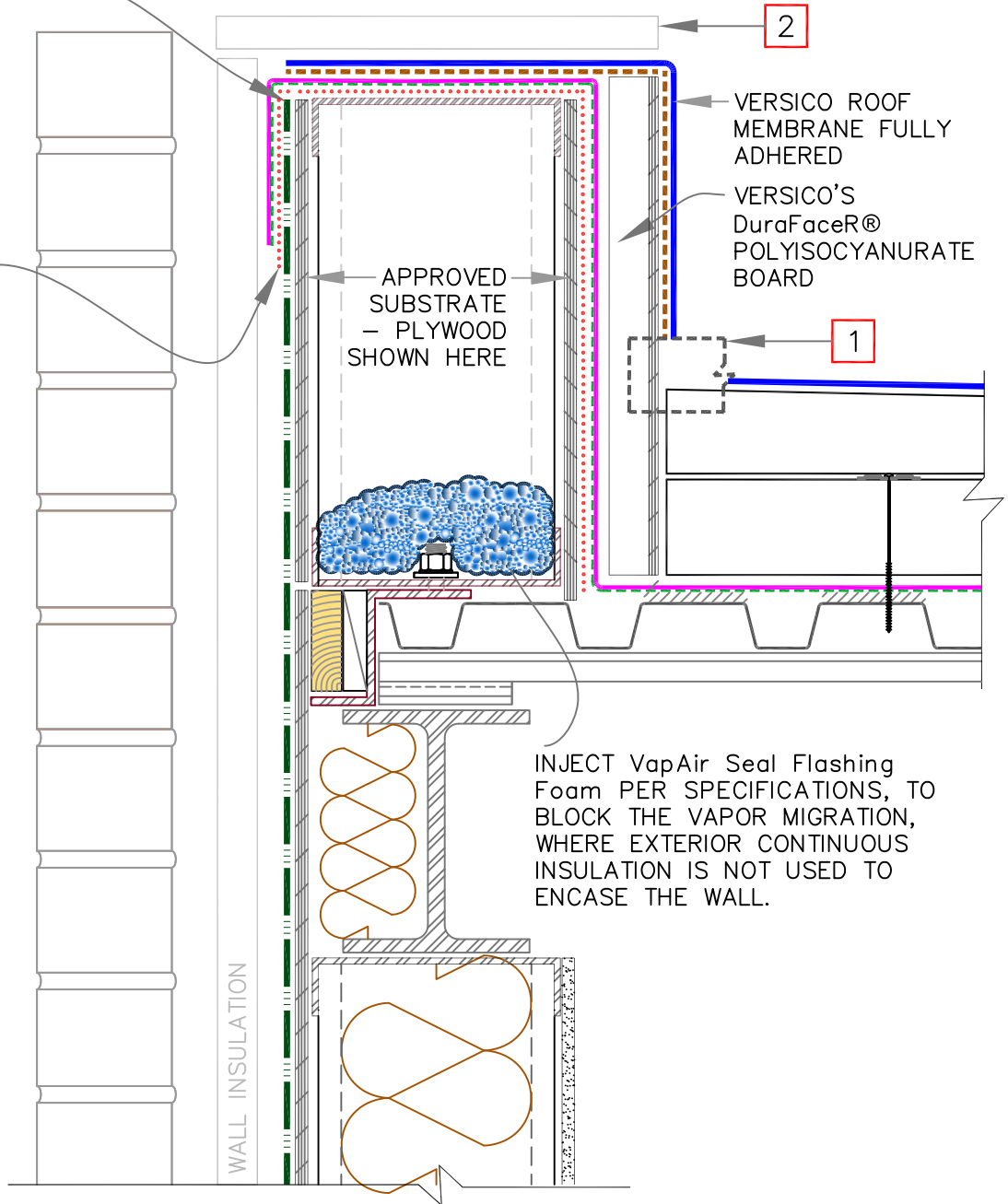
DETAIL NO.

MD-1.2

ADHERED A&VB

WALL'S A&VB OVERLAPS
MIN. 3" (7.5cm) IN
SHINGLED OR
NON-SHINGLED FASHION
PER MANUFACTURER'S
INSTRUCTION

REFER TO SPECS FOR
ONE OF APPROVED
PRIMER/ADHESIVE:
• CAV-GRIP
• CCW-702
• CCW-702WB OR
• CCW-702LV



INJECT VapAir Seal Flashing
Foam PER SPECIFICATIONS,
TO BLOCK THE VAPOR MIGRATION,
WHERE EXTERIOR CONTINUOUS
INSULATION IS NOT USED TO
ENCASE THE WALL.

NOTES:

1. REFER TO VERSICO STANDARD DETAILS FOR ROOF BASE FLASHING
2. VERSICO SECURSHIELD HD COMPOSITE BOARD, 100 PSI (6.9 KILOPASCAL) COMPRESSIVE STRENGTH [SUGGESTED IN ASHRAE ZONES 6-8 (ZONES B TO D IN CANADA)] OR WHERE CODE REQUIRES FOR c.i. (CONTINUOUS INSULATION).

SEE [MD-0 \(PAGE 1 & 2\)](#) FOR
ADDITIONAL INFORMATION

VapAir Seal MD



PARAPET ON ROOF DECK
ROOF A&VB TIE-IN TO
WALL A&VB

- VapAir Seal MD
- ROOF MEMBRANE
- CAV-GRIP, CCW-702 OR CCW-702LV
- SEE NOTE(S)

DETAIL NO.

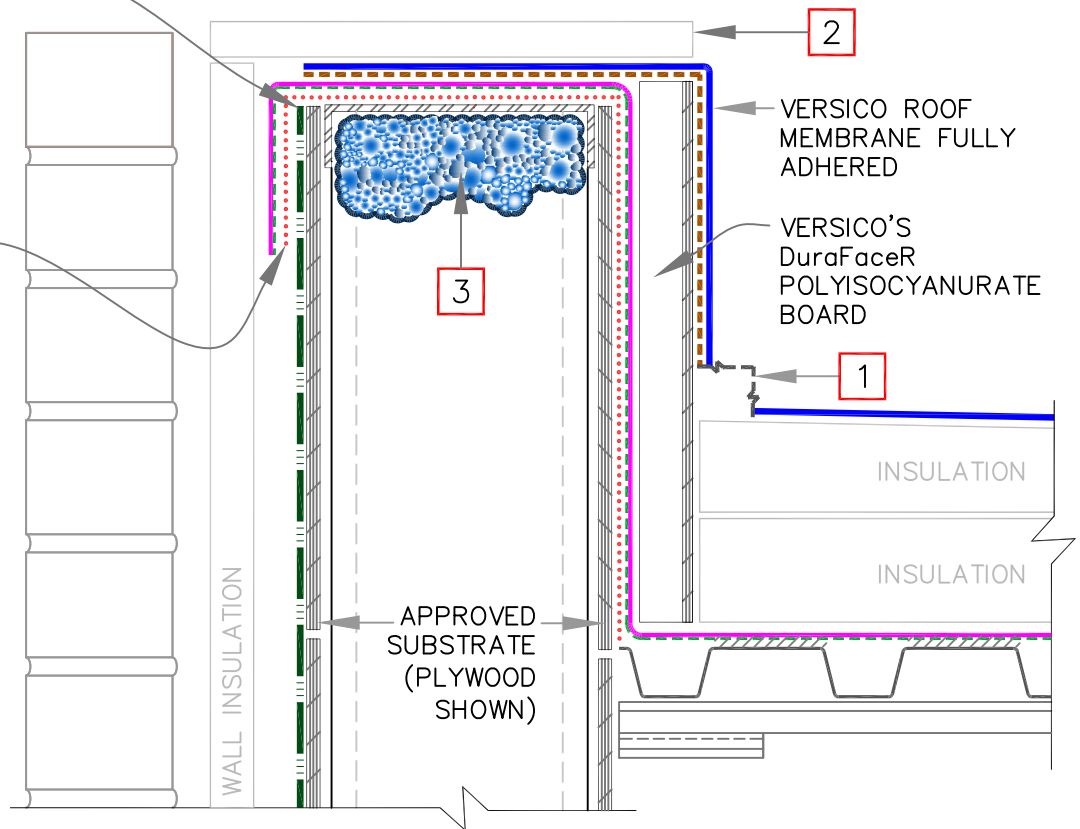
MD-1.3

ADHERED A&VB

WALL'S A&VB OVERLAPS
MIN. 3" (7.5cm) IN
SHINGLED OR
NON-SHINGLED FASHION
PER MANUFACTURER'S
INSTRUCTION

REFER TO SPECS FOR
ONE OF APPROVED
PRIMER/ADHESIVE:

- CAV-GRIP
- CCW-702
- CCW-702WB OR
- CCW-702LV



NOTES:

1. REFER TO VERSICO STANDARD DETAILS FOR ROOF BASE FLASHING
2. VERSICO SECURSHIELD HD COMPOSITE BOARD, 100 PSI (6.9 KILOPASCAL) COMPRESSIVE STRENGTH [SUGGESTED IN ASHRAE ZONES 6-8 (ZONES B TO D IN CANADA)] OR WHERE CODE REQUIRES FOR c.i. (CONTINUOUS INSULATION).
3. IN HIGH HUMIDITY SPACES, USE VapAir Seal Flashing Foam PER SPECIFICATIONS [SUGGESTED IN ASHRAE ZONES 6-8 (ZONES B-D IN CANADA)]

SEE [MD-0 \(PAGE 1 & 2\)](#) FOR
ADDITIONAL INFORMATION

VapAir Seal MD



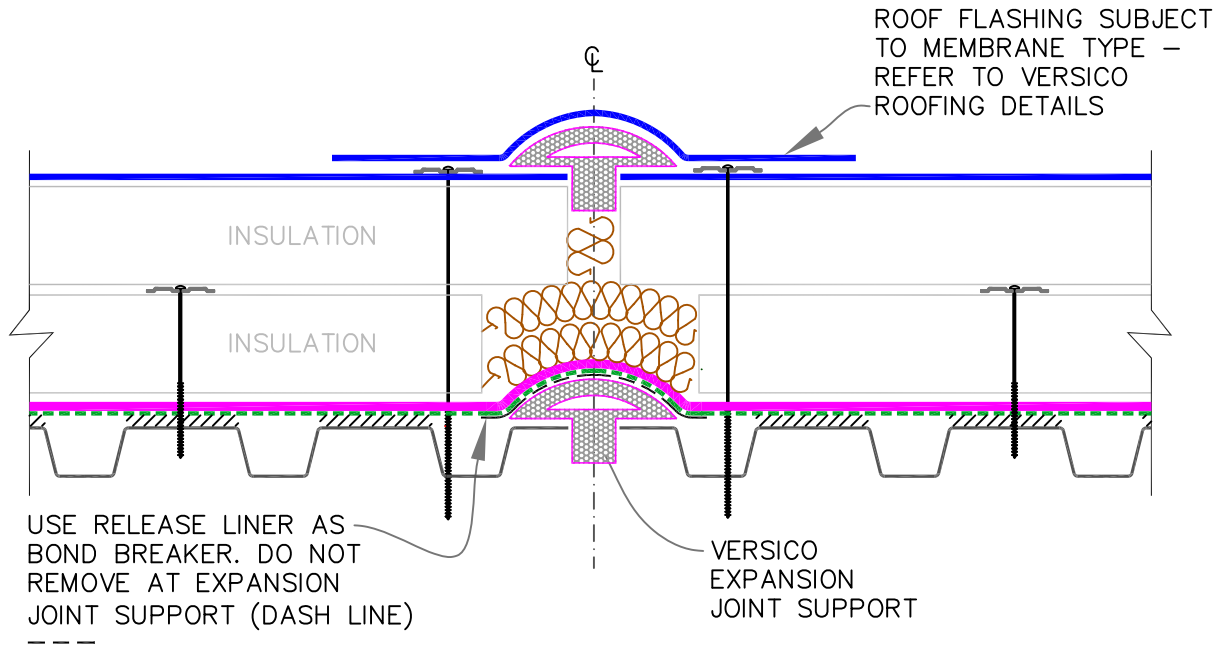
PARAPET
(CONTINUOUS WALL)
ROOF A&VB TIE-IN TO
WALL A&VB

- VapAir Seal MD
- ROOF MEMBRANE
- CAV-GRIP, CCW-702 OR CCW-702LV
- 1 → SEE NOTE(S)

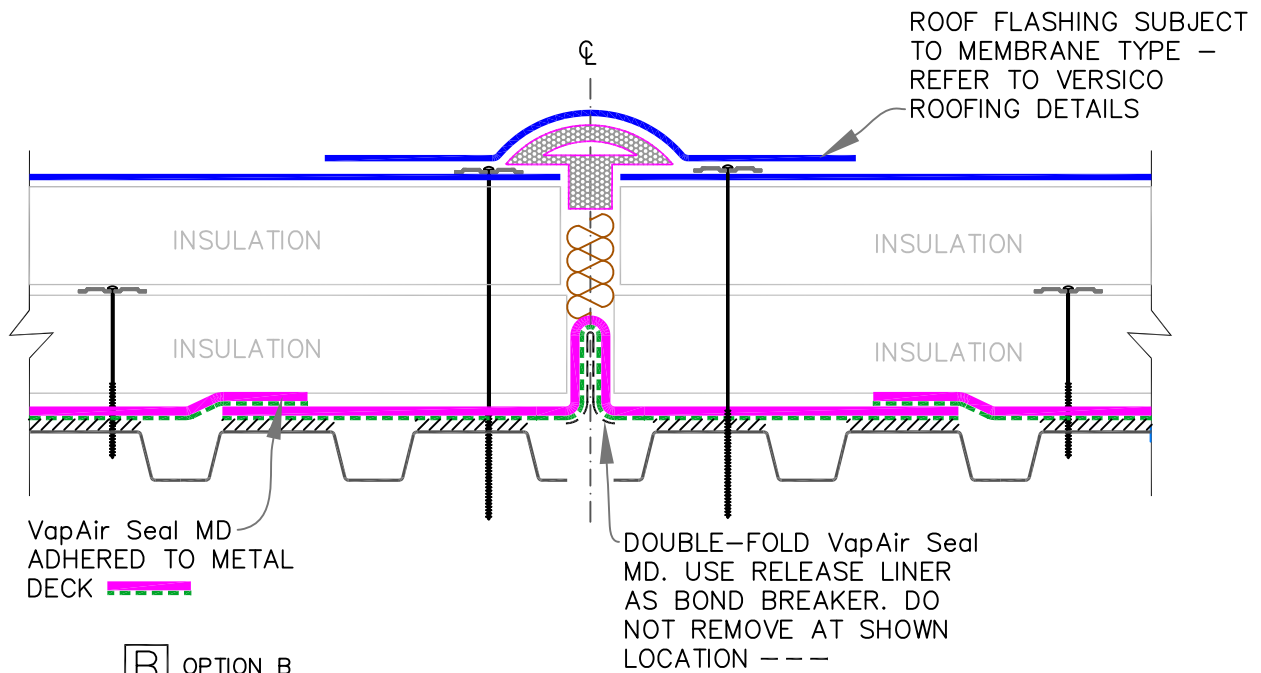
DETAIL NO.

MD-1.4

ADHERED A&VB



A OPTION A



B OPTION B

SEE [MD-0 \(PAGE 1 & 2\)](#) FOR ADDITIONAL INFORMATION

VapAir Seal MD



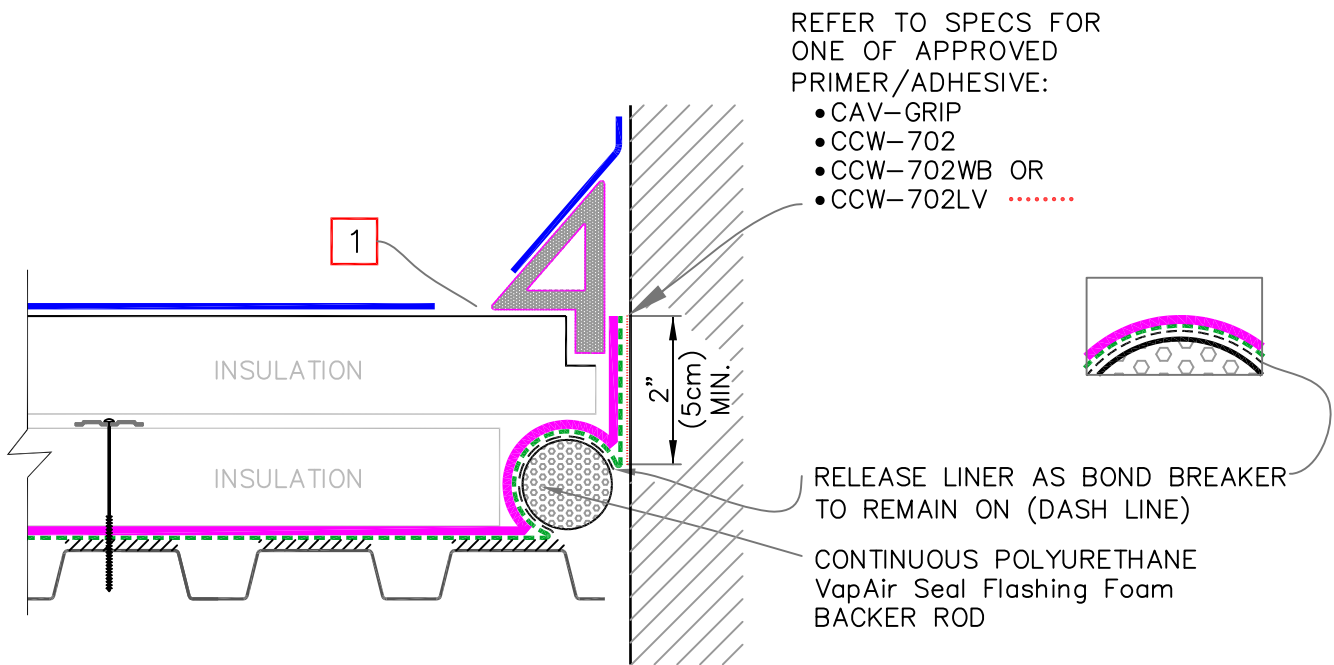
ROOF EXPANSION JOINT
(ROOF-TO-ROOF JOINT)

- VapAir Seal MD
- ROOF MEMBRANE
- CAV-GRIP, CCW-702 OR CCW-702LV
- SEE NOTE(S)

DETAIL NO.

MD-3.1

ADHERED A&VB



B OPTION B

SEE [MD-0 \(PAGE 1 & 2\)](#) FOR ADDITIONAL INFORMATION

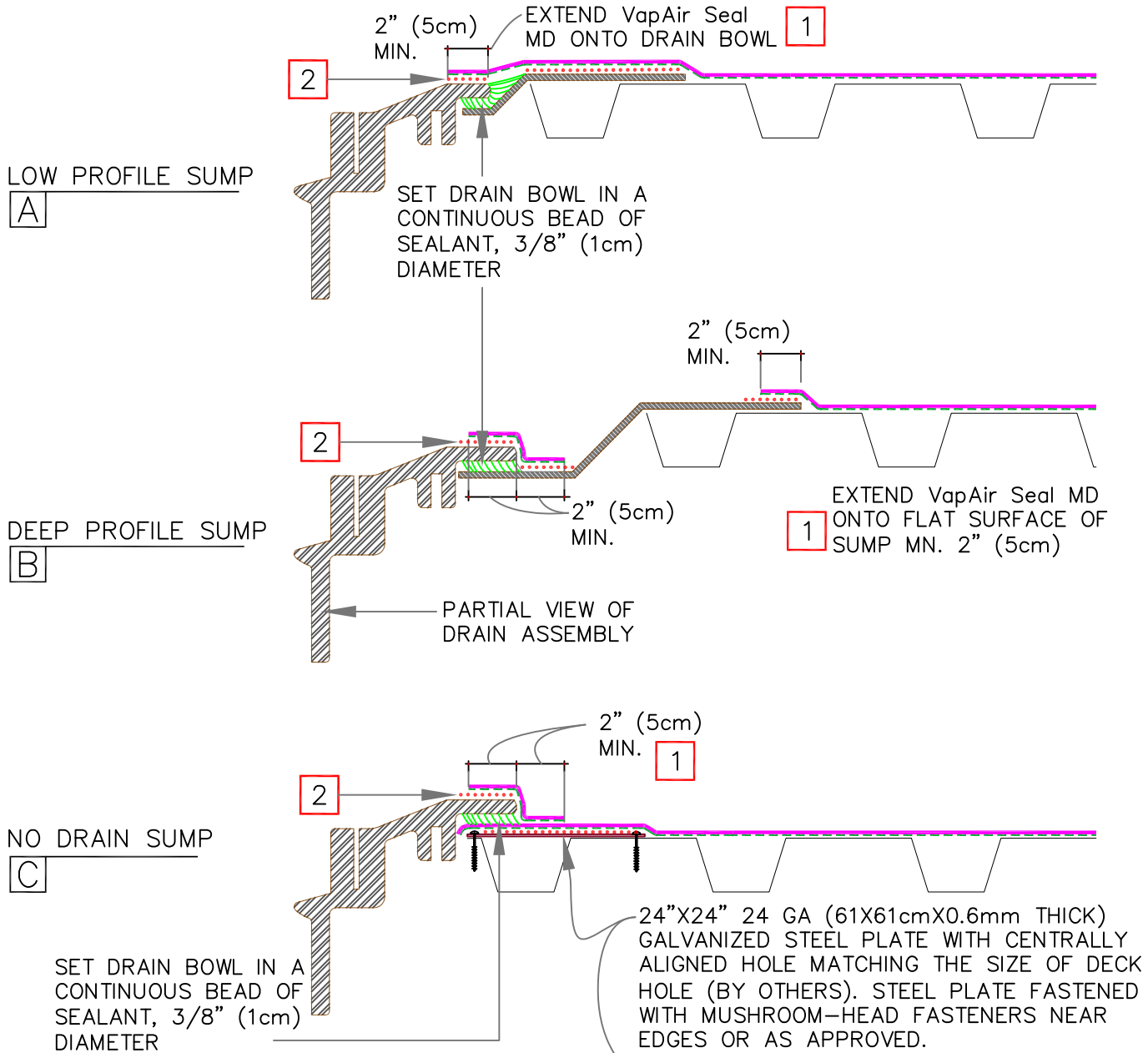
VapAir Seal MD



ROOF EXPANSION JOINT (ROOF-TO-WALL JOINT)

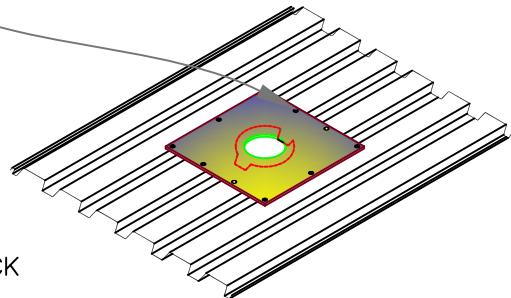
- VapAir Seal MD
- ROOF MEMBRANE
- CAV-GRIP, CCW-702 OR CCW-702LV
- SEE NOTE(S)

DETAIL NO.
MD-3.2
ADHERED A&VB



NOTES

1. HAND ROLL WITH 2" (5cm) WIDE PRESSURE-ROLLER & ENSURE ANY FISH-MOUTHS ARE SEALED WITH SEALANT.
2. USE PRIMER IF SURFACES ARE RUSTY/UNCLEAN/POOR ADHESION IS EXPERIENCED. VapAir Seal MD ADHERED TO METAL DECK AND STEEL PLATE.
3. CAREFULLY CUT HOLE IN VapAir Seal MD ALIGNED TO DECK HOLE.
4. ENSURE HOLES ARE OPEN BEFORE THE END OF THE DAY OR PRIOR TO RAIN.



SEE MD-0 (PAGE 1 & 2) FOR ADDITIONAL INFORMATION

VapAir Seal MD



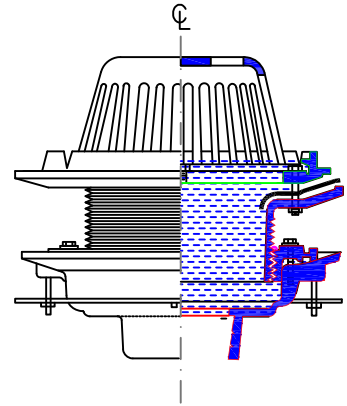
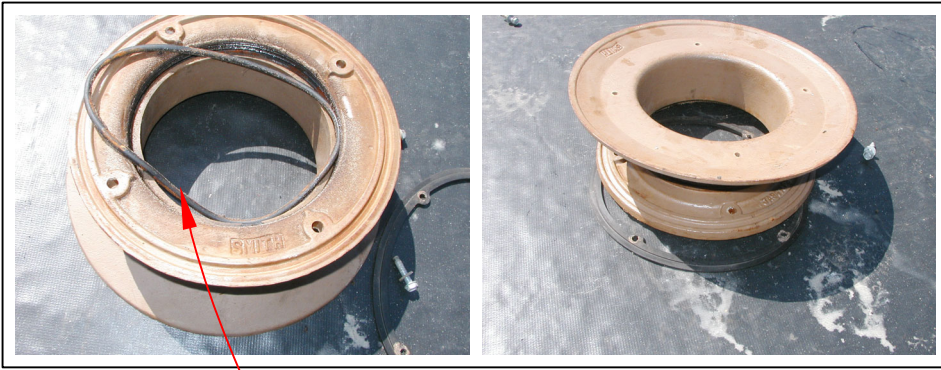
ROOF DRAIN WITH VARYING SUMP CONDITIONS

- VapAir Seal MD
- ROOF MEMBRANE
- CAV-GRIP, CCW-702 OR CCW-702LV
- 1 → SEE NOTE(S)

DETAIL NO.

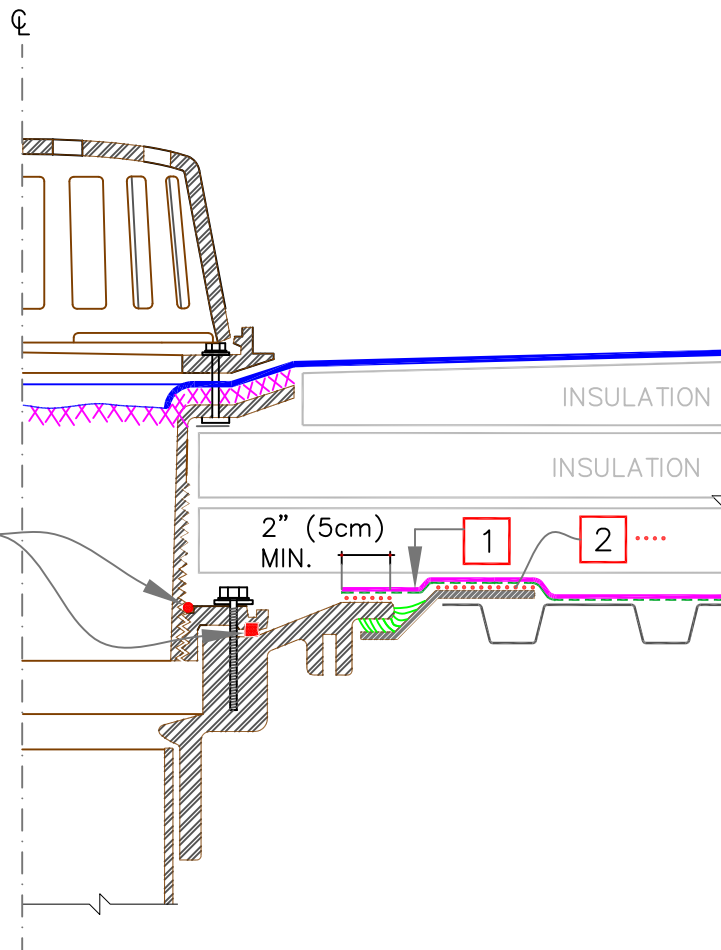
MD-6.1

ADHERED A&VB



EXAMPLE OF ADJUSTABLE DRAIN - TYPE A

PLUMBER TO ENSURE THAT GASKETS BETWEEN REVERSIBLE COLLAR AND DRAIN BOWL ARE 100% AIR AND WATER TIGHT & FLOOD TESTED.



NOTES

1. EXTEND VapAir Seal MD ONTO DRAIN'S FLAT AREA AND HAND ROLL WITH 2" (5cm) WIDE PRESSURE-ROLLER & ENSURE ANY FISH-MOUTHS ARE SEALED WITH SEALANT
2. USE PRIMER IF SURFACES ARE RUSTY/UNCLEAN/POOR ADHESION IS EXPERIENCED.

SEE [MD-0 \(PAGE 1 & 2\)](#) FOR ADDITIONAL INFORMATION

VapAir Seal MD

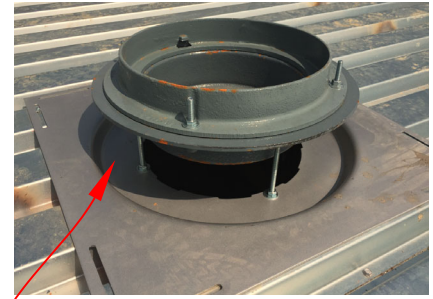


ROOF DRAIN WITH ADJUSTABLE HEIGHT - TYPE A

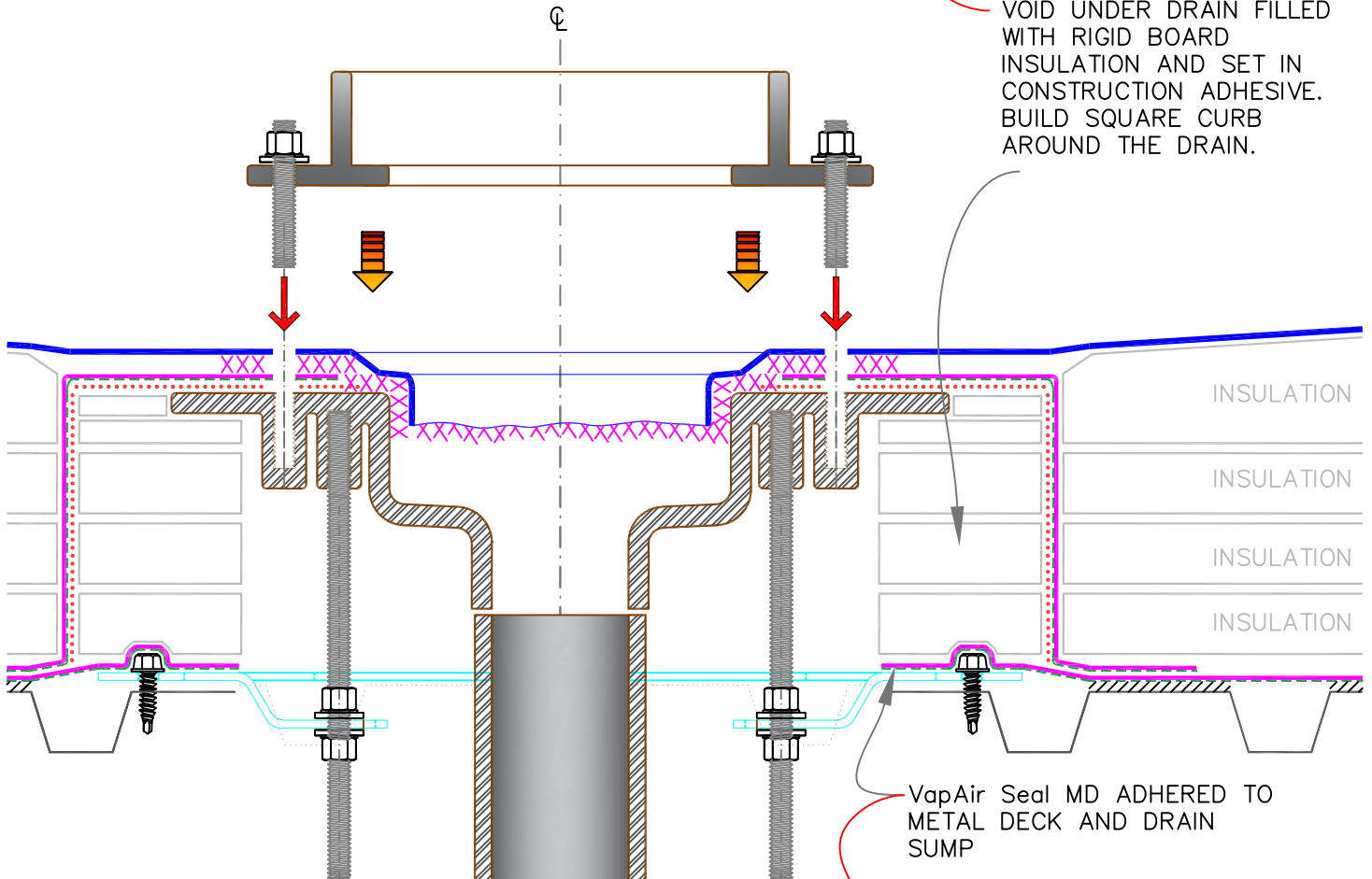
- VapAir Seal MD
- ROOF MEMBRANE
- CAV-GRIP, CCW-702 OR CCW-702LV
- SEE NOTE(S)

DETAIL NO.
MD-6.2
ADHERED A&VB

EXAMPLE OF ADJUSTABLE DRAIN – TYPE B

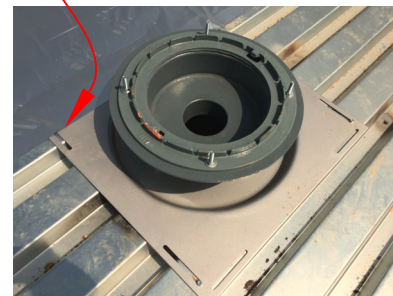


VOID UNDER DRAIN FILLED WITH RIGID BOARD INSULATION AND SET IN CONSTRUCTION ADHESIVE. BUILD SQUARE CURB AROUND THE DRAIN.



NOTES

1. HAND ROLL WITH 2" (5cm) WIDE PRESSURE-ROLLER & ENSURE ANY FISH-MOUTHS ARE SEALED WITH SEALANT
2. USE PRIMER IF SURFACES ARE RUSTY/UNCLEAN/POOR ADHESION IS EXPERIENCED.
3. DESIGNER MAY ADD DRAIN INSULATION FROM INSIDE ALSO.



SEE [MD-0 \(PAGE 1 & 2\)](#) FOR ADDITIONAL INFORMATION

VapAir Seal MD



ROOF DRAIN WITH ADJUSTABLE HEIGHT – TYPE B

- VapAir Seal MD
- ROOF MEMBRANE
- CAV-GRIP, CCW-702 OR CCW-702LV
- SEE NOTE(S)

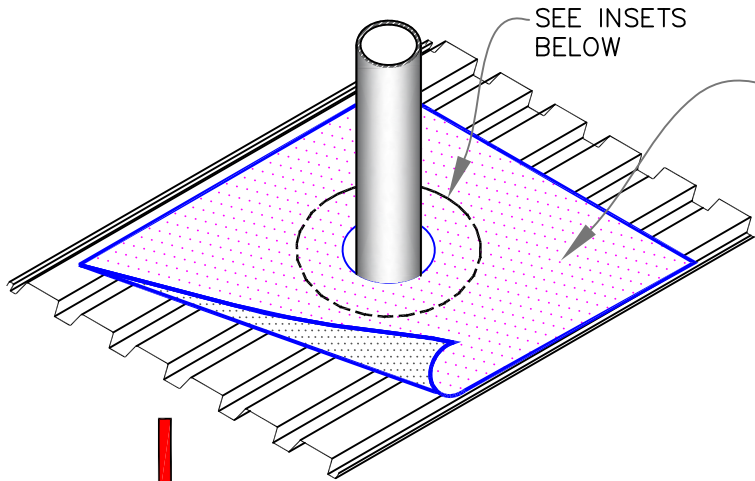
DETAIL NO.

MD-6.3

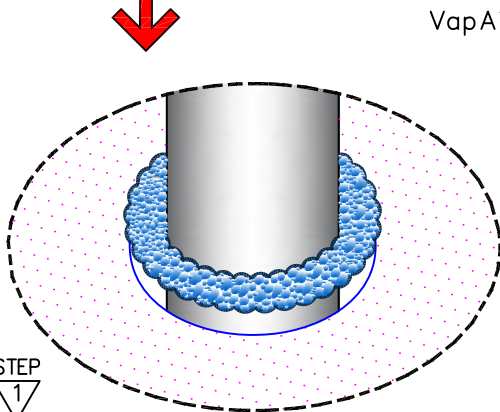
ADHERED A&VB

AIR / VAPOR CONTROL LAYERS

NOTE: REFER TO [DETAIL MD-8.3](#), WHERE MULTIPLE PENETRATIONS EXIST IN ONE AREA

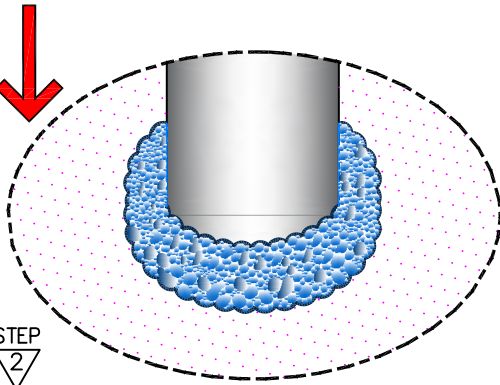


PROPERLY MARK A REQUIRED SIZE HOLE IN VapAir Seal MD AND CUT IT IN CIRCLE FOR ROUND PENETRATIONS AND FULLY ADHERE IT.



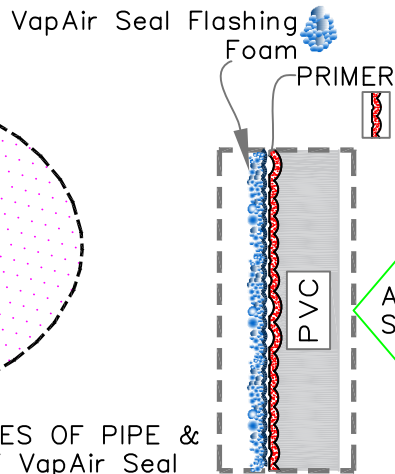
STEP 1

CLEAN THE RECEIVING SURFACES OF PIPE & VapAir Seal MD. SPRAY APPLY VapAir Seal Flashing Foam PER SPECIFICATIONS ONTO THE SURFACE OF PIPE MAKING A COMPLETE LOOP AROUND THE PENETRATION AND LET THE VapAir Seal Flashing Foam EXPAND AND DRY

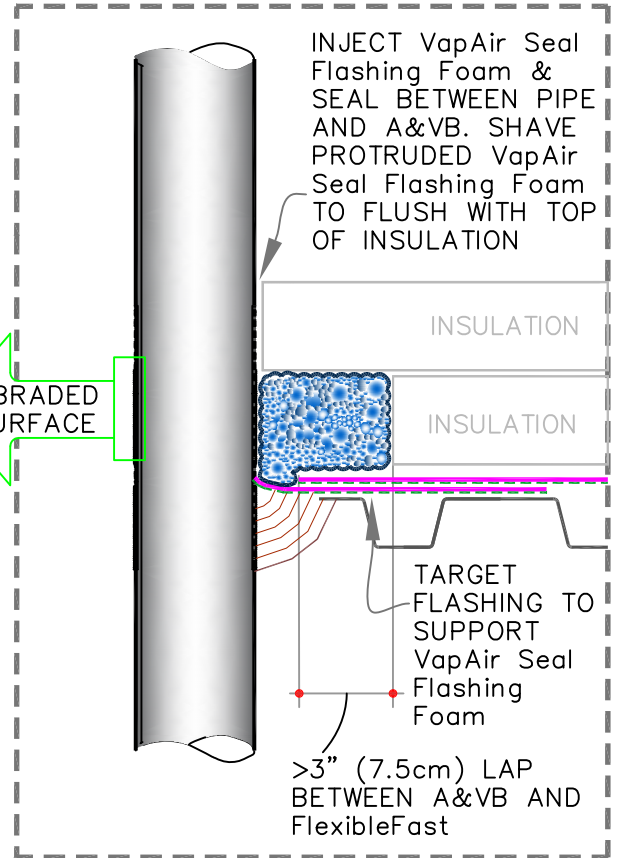


STEP 2

SPRAY APPLY 2ND LAYER OF VapAir Seal Flashing Foam ONTO THE SOLIDIFIED SURFACE OF FIRST LAYER, MAKING A COMPLETE LOOP ENSURING BOTH THE LAYERS ARE ADJOINING TOGETHER, MAKING A PROPER AIR SEAL BETWEEN PIPE AND VapAir Seal MD.



ABRADED SURFACE



NOTE:

ON PVC PIPES / PVC SUBSTRATES, ACHIEVE AN ABRADED SURFACE BY GRINDING WITH COARSE SANDPAPER OR POWERED WIRE BRUSH TO ENHANCE THE ADHESION. APPLY CAV-GRIP PRIMER TO ABRADED SURFACE & A&VB

SEE [MD-0 \(PAGE 1 & 2\)](#) FOR ADDITIONAL INFORMATION

VapAir Seal MD



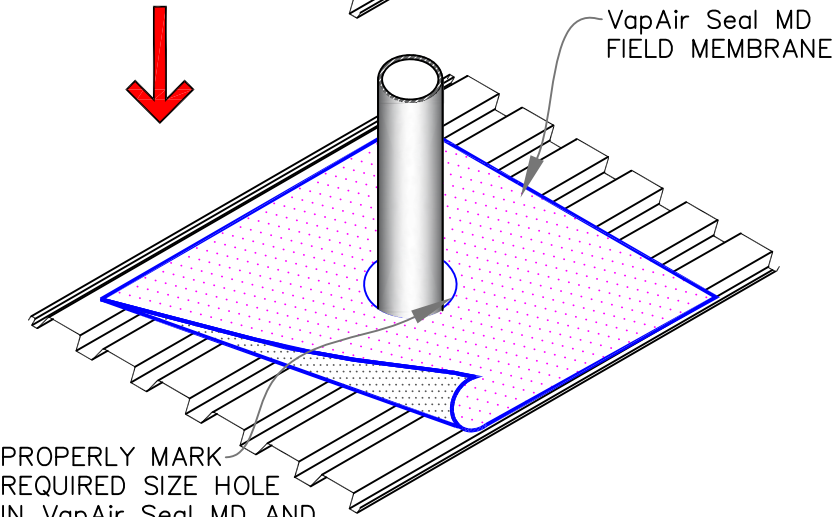
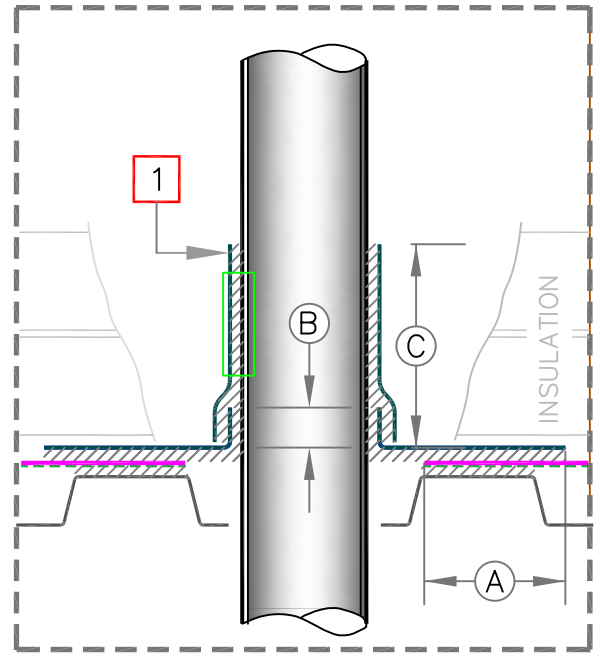
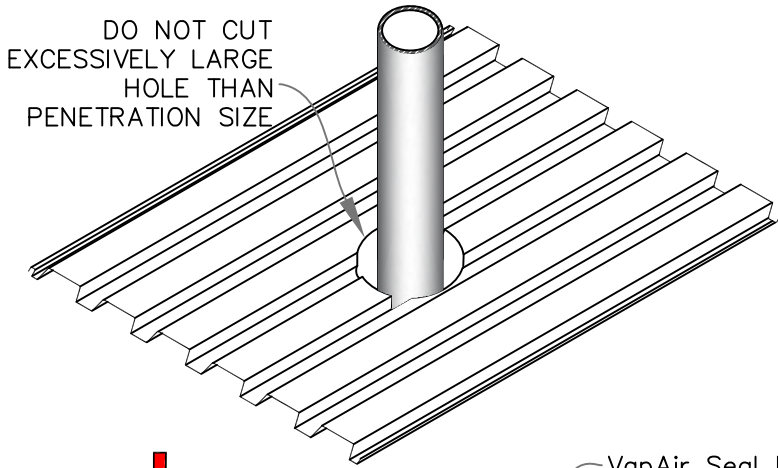
PIPE SEALED WITH VapAir Seal Flashing Foam PER SPECIFICATIONS

- VapAir Seal MD
- ROOF MEMBRANE
- CAV-GRIP, CCW-702 OR CCW-702LV
- SEE NOTE(S)

DETAIL NO.
MD-8.1
ADHERED A&VB

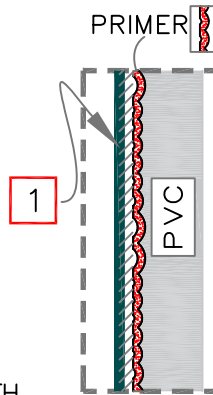
AIR / VAPOR CONTROL LAYERS

NOTE: REFER TO [DETAIL MD-8.3](#), WHERE MULTIPLE PENETRATIONS EXIST IN ONE AREA

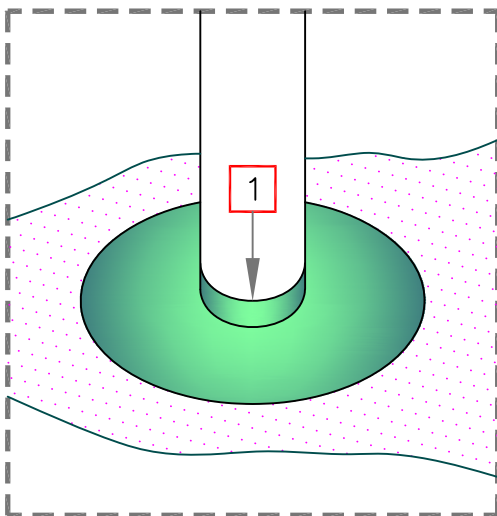


PROPERLY MARK REQUIRED SIZE HOLE IN VapAir Seal MD AND CUT A HOLE CLOSER TO THE PENETRATION. FOR ROUND PENETRATIONS CUT A CIRCULAR HOLE

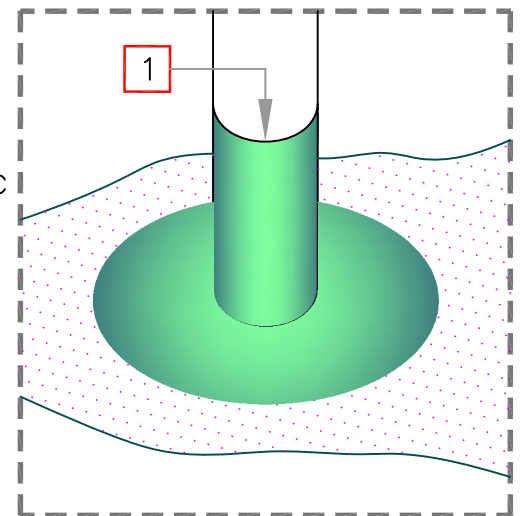
1 QUICK APPLIED UNCURED EPDM FLASHING IN CONJUNCTION WITH EPDM PRIMER.



DIMENSIONS		cm	
(A)	3"	7.5	MIN.
(B)	1/2"	1.5	MIN.
(C)	MIN. 3" (7.5cm) OR MAX. BELOW THE HEIGHT OF INSULATION		



NOTE: ON PVC PIPES / PVC SUBSTRATES, ACHIEVE AN ABRADED SURFACE BY GRINDING WITH COARSE SANDPAPER OR POWERED WIRE BRUSH TO ENHANCE THE ADHESION. APPLY CAV-GRIP PRIMER TO ABRADED SURFACE & A&VB



SEE [MD-0 \(PAGE 1 & 2\)](#) FOR ADDITIONAL INFORMATION

VapAir Seal MD



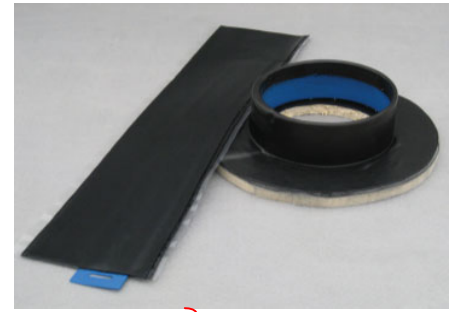
PIPE QUICK APPLIED UNCURED EPDM FLASHINGS

- VapAir Seal MD
- ROOF MEMBRANE
- CAV-GRIP, CCW-702 OR CCW-702LV
- 1** SEE NOTE(S)

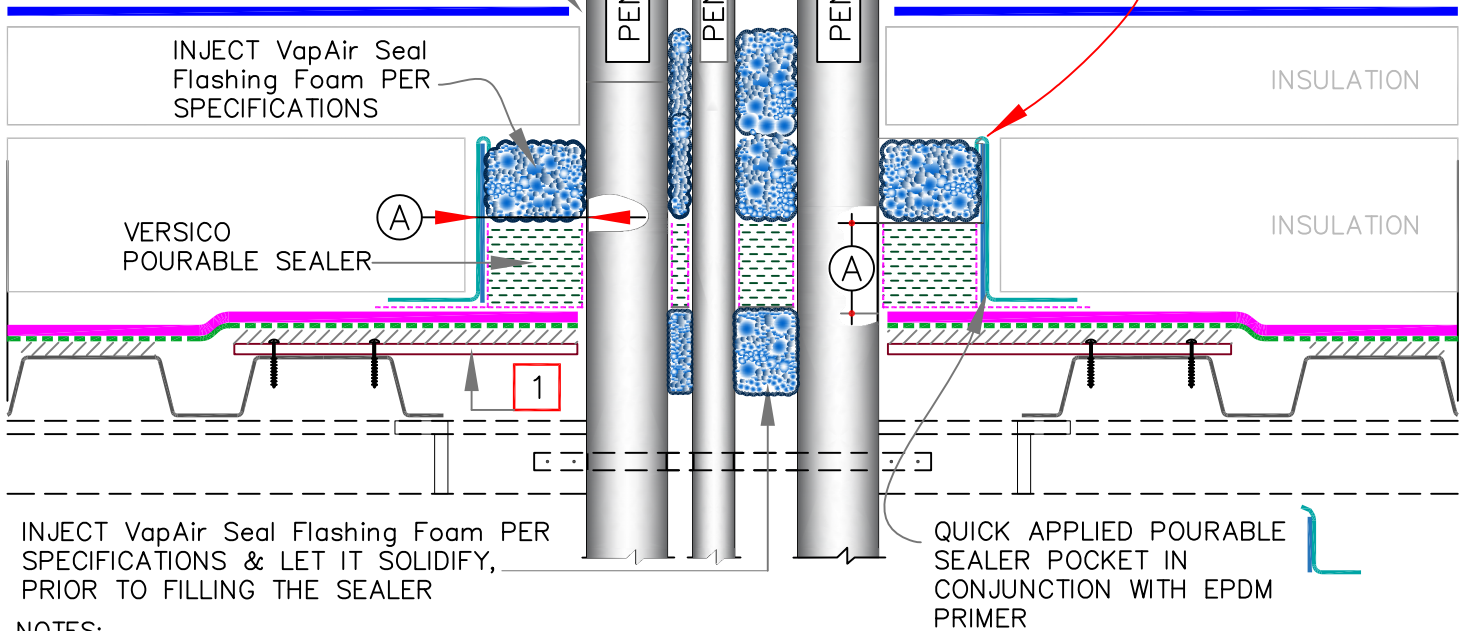
DETAIL NO.
MD-8.2
ADHERED A&VB

AIR / VAPOR CONTROL LAYERS

DIMENSIONS		cm	
Ⓐ	1/2"	1.5	TO
	1"	2.5	



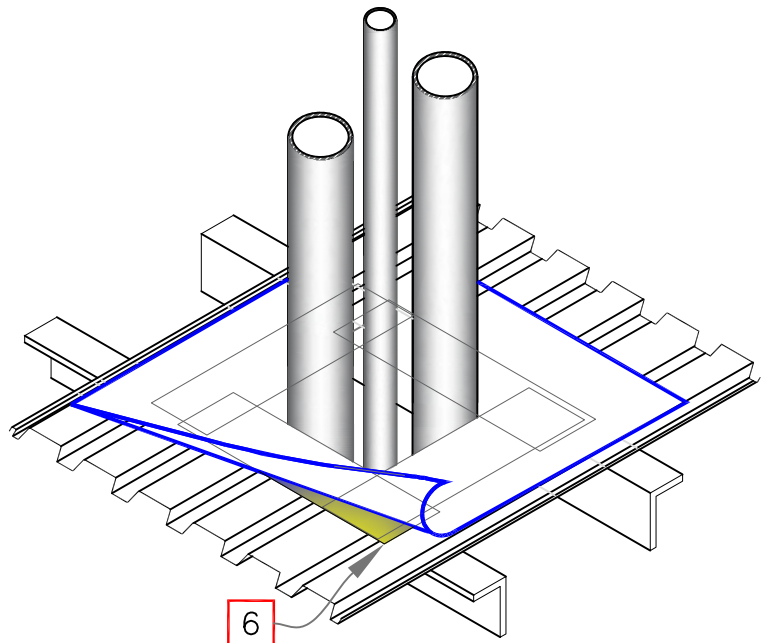
REFER TO VERSICO'S COMMON DETAILS # 16 SERIES FOR APPLICABLE ROOF MEMBRANE SYSTEM



INJECT VapAir Seal Flashing Foam PER SPECIFICATIONS & LET IT SOLIDIFY, PRIOR TO FILLING THE SEALER

NOTES:

1. THE MAXIMUM ALLOWABLE SURFACE TEMPERATURE OF THE PENETRATION SHALL NOT EXCEED 180° F (82° C).
2. PENETRATIONS, AIR & VAPOR BARRIER, FLASHING AND METAL (INSIDE POCKET) MUST BE PRIMED WITH EPDM PRIMER PRIOR TO APPLYING POURABLE SEALER. DO NOT PRIME THE BLUE PLASTIC SUPPORT STRIP.
3. POURABLE SEALER MUST CONTACT PRIMED QUICK APPLIED UNCURED FLASHING AND AIR & VAPOR BARRIER.
4. SECUREMENT IS REQUIRED FOR POURABLE SEALER POCKETS WHICH ARE GREATER THAN 18" (46cm) IN DIAMETER. REFER TO SPECIFICATIONS.
5. PIPE CLUSTERS MUST HAVE MINIMUM 1" (2.5cm) CLEARANCE BETWEEN PENETRATIONS.
6. 22 GAUGE STEEL STRIPS TO FILL GAPS & SUPPORT THE SEALER POCKET. FASTEN INTO DECK



SEE [MD-0 \(PAGE 1 & 2\)](#) FOR ADDITIONAL INFORMATION

VapAir Seal MD



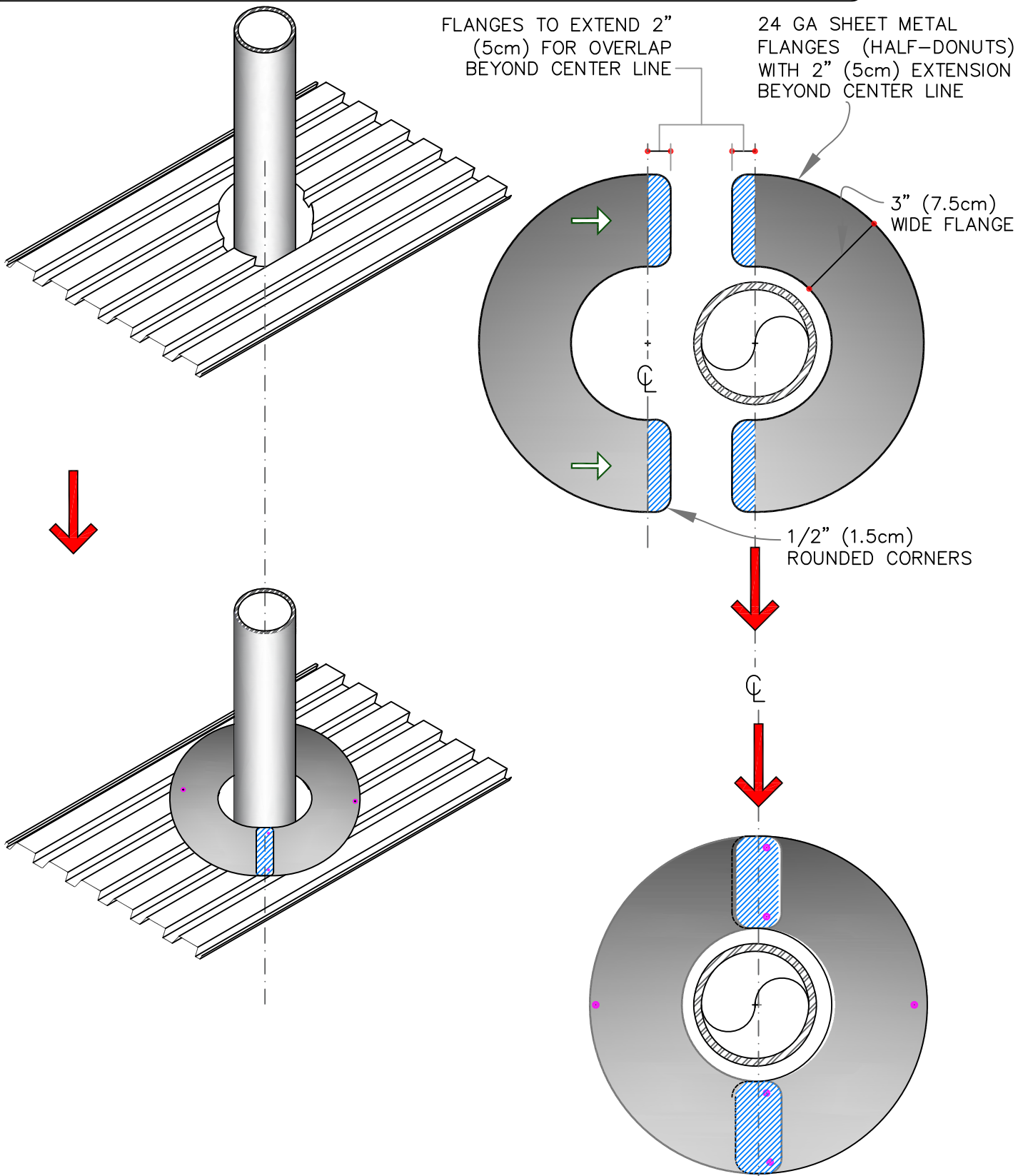
MULTIPLE PENETRATIONS' FLASHINGS IN GROUP

- VapAir Seal MD
- ROOF MEMBRANE
- CAV-GRIP, CCW-702 OR CCW-702LV
- SEE NOTE(S)

DETAIL NO.
MD-8.3
ADHERED A&VB

AIR / VAPOR CONTROL LAYERS

NOTE: REFER TO [DETAIL MD-8.3](#), WHERE MULTIPLE PENETRATIONS EXIST IN ONE AREA







SEE [MD-0 \(PAGE 1 & 2\)](#) FOR ADDITIONAL INFORMATION

VapAir Seal MD



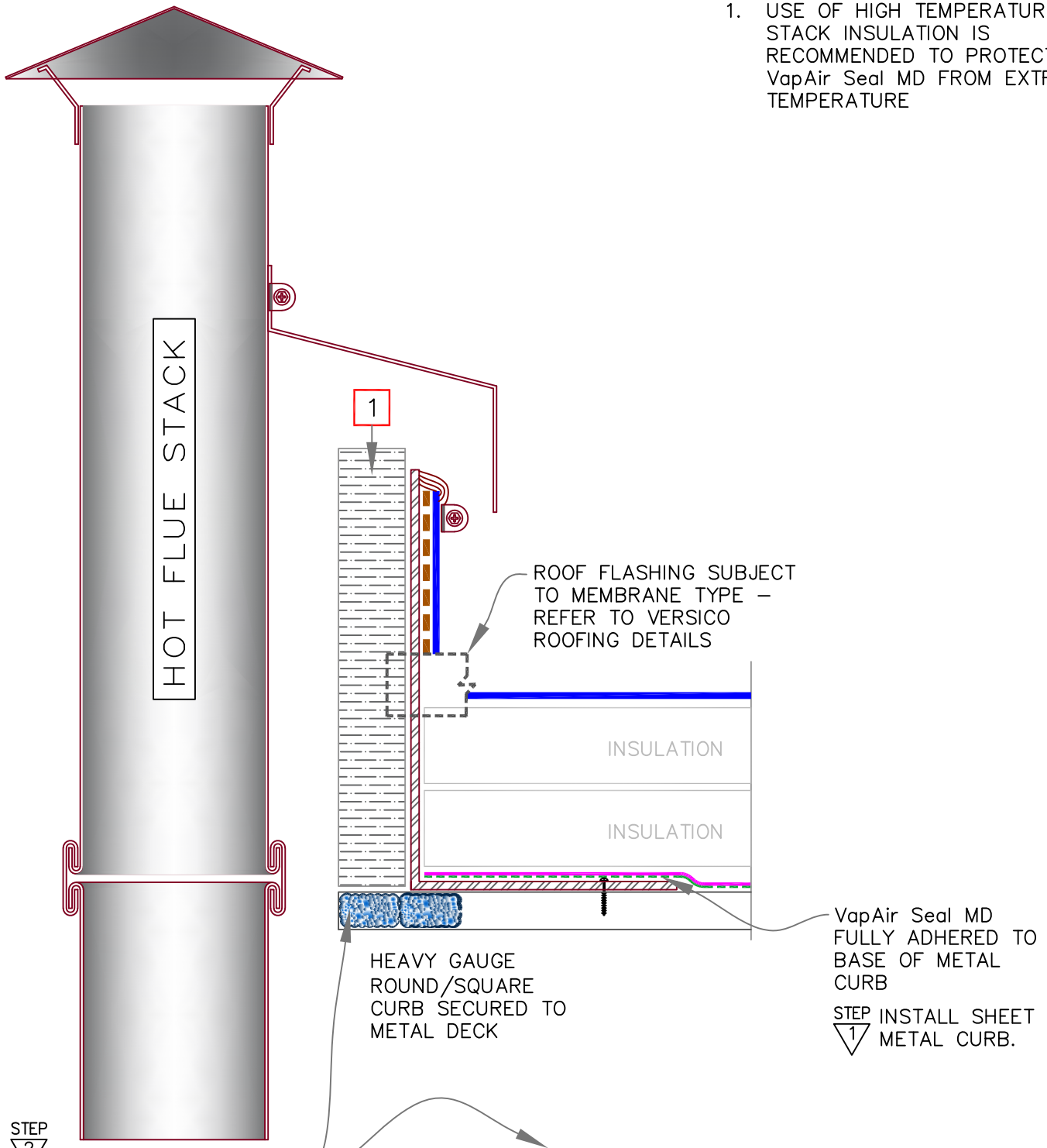
PIPE SHEET METAL FLANGES TO SUPPORT FLASHING

-  → VapAir Seal MD
-  → ROOF MEMBRANE
-  → CAV-GRIP, CCW-702 OR CCW-702LV
-  → SEE NOTE(S)

DETAIL NO.
MD-8.4
ADHERED A&VB

NOTE

1. USE OF HIGH TEMPERATURE STACK INSULATION IS RECOMMENDED TO PROTECT VapAir Seal MD FROM EXTREME TEMPERATURE



STEP 2

FILL THE BOTTOM FLUTES WITH VapAir Seal Flashing Foam PER SPECIFICATIONS TO AVOID THE MIGRATION OF HUMID AIR, STEAM, OR HOT GASES LEAKING FROM ADJACENT FLUE.





STEP 1
INSTALL SHEET METAL CURB.

SEE [MD-0 \(PAGE 1 & 2\)](#) FOR ADDITIONAL INFORMATION

VapAir Seal MD



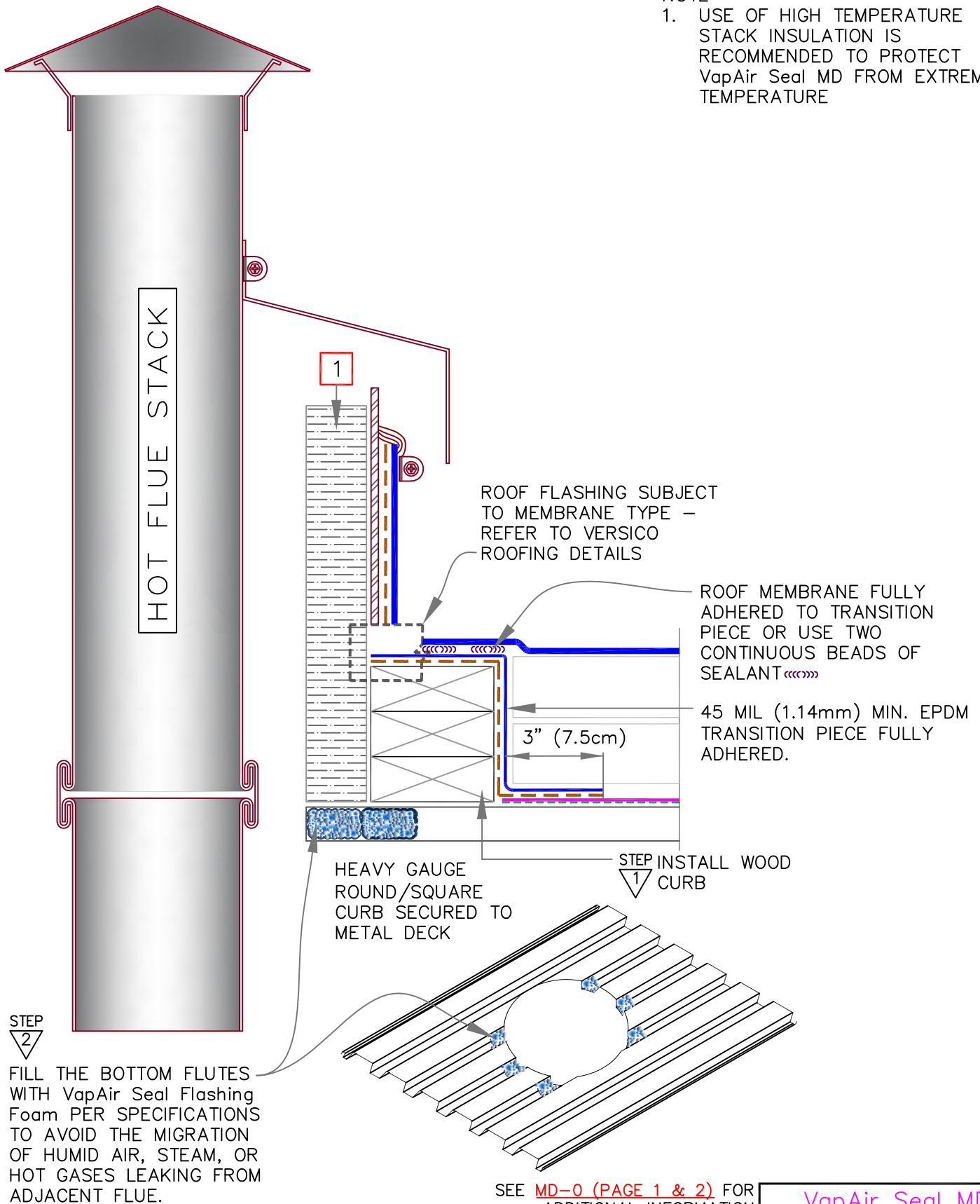
HOT VENT STACK WITH METAL CURB AT DECK

-  → VapAir Seal MD
-  → ROOF MEMBRANE
-  → CAV-GRIP, CCW-702 OR CCW-702LV
-  → SEE NOTE(S)

DETAIL NO.
MD-8.6A
ADHERED A&VB

NOTE

1. USE OF HIGH TEMPERATURE STACK INSULATION IS RECOMMENDED TO PROTECT VapAir Seal MD FROM EXTREME TEMPERATURE



SEE MD-0 (PAGE 1 & 2) FOR ADDITIONAL INFORMATION

VapAir Seal MD



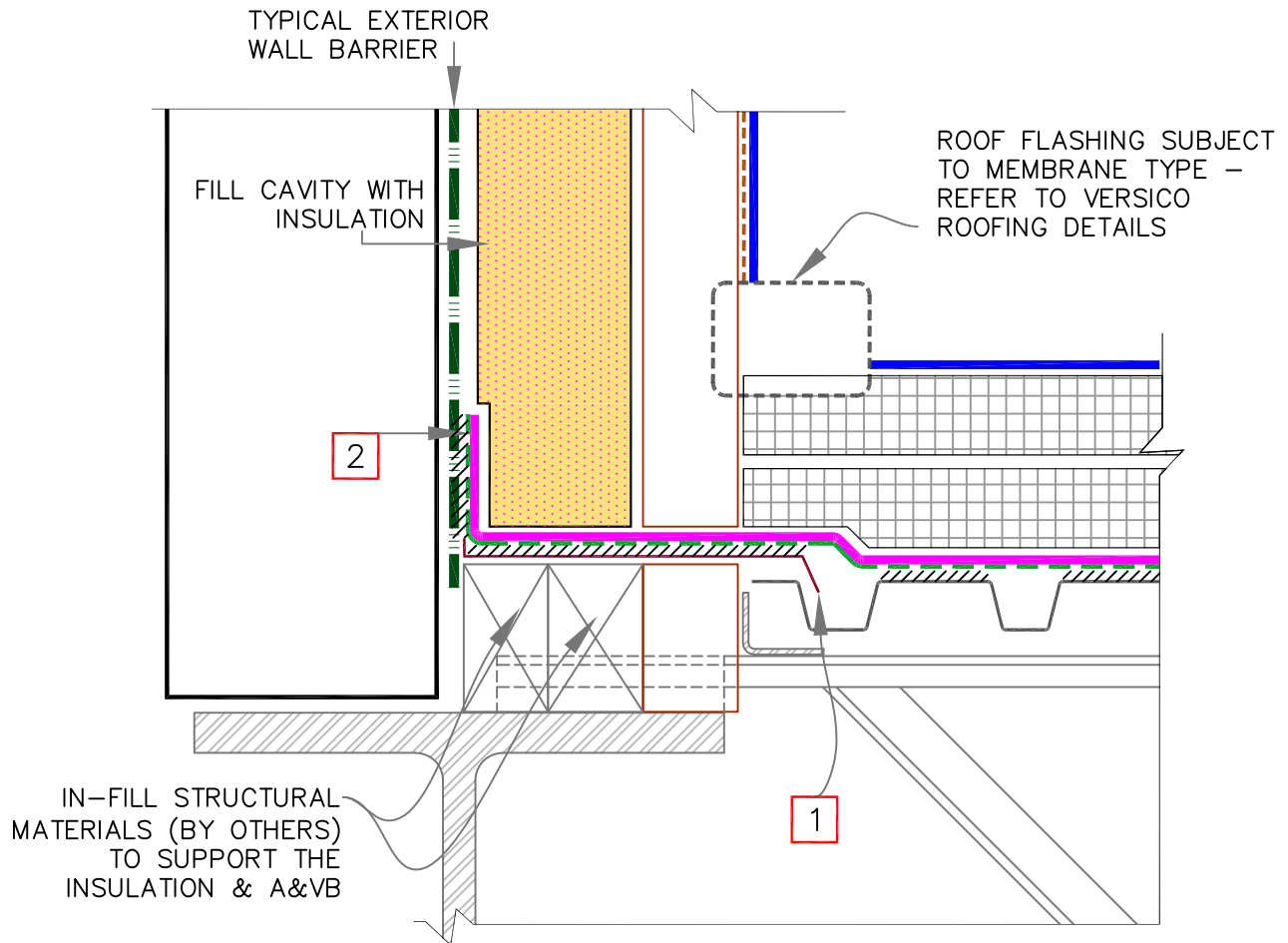
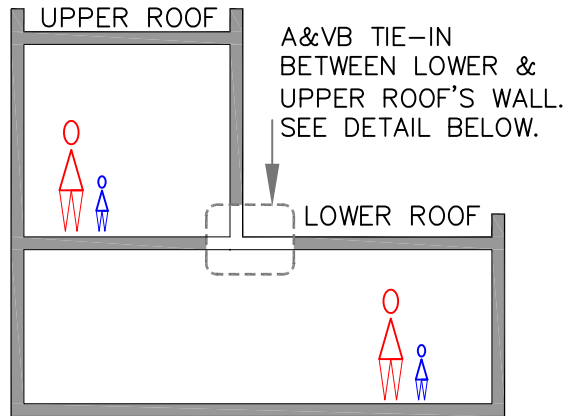
HOT VENT STACK WITH WOOD CURB

- VapAir Seal MD
- ROOF MEMBRANE
- CAV-GRIP, CCW-702 OR CCW-702LV
- 1 → SEE NOTE(S)

DETAIL NO.

MD-8.6B

ADHERED A&VB



NOTES:

1. SET THRU-WALL STAINLESS STEEL STRIP FLASHING AND EXTEND IT OUT MIN. 3" (7.5cm) (BY OTHERS).
2. EXTEND VapAir Seal MD MIN. 6" (15cm) VERTICAL AND FULLY ADHERE TO WALL'S A&VB. WHEN WALL'S A&VB IS NOT INSTALLED YET, THEN ADHERE TO WALL. WALL BARRIER SHALL BE FULLY ADHERED TO VapAir Seal MD

SEE [MD-0 \(PAGE 1 & 2\)](#) FOR ADDITIONAL INFORMATION

VapAir Seal MD



TIE-IN TO UPPER STOREY WALL

- VapAir Seal MD
- ROOF MEMBRANE
- CAV-GRIP, CCW-702 OR CCW-702LV
- SEE NOTE(S)

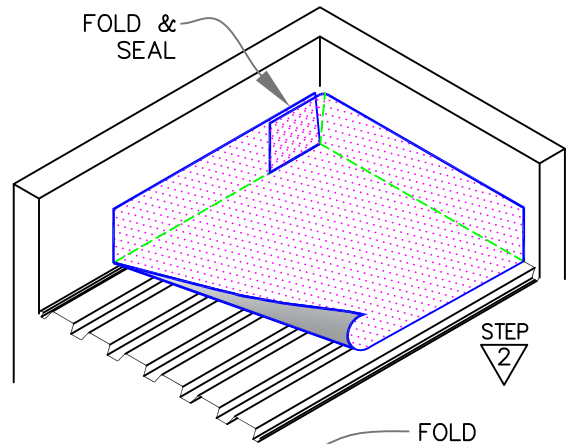
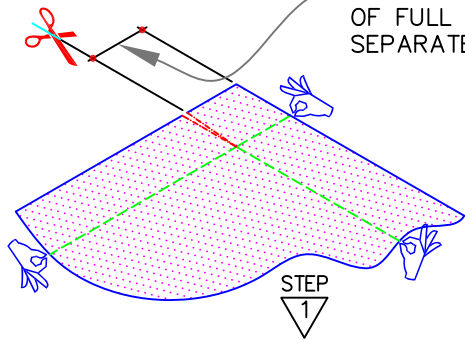
DETAIL NO.

MD-12.1

ADHERED A&VB

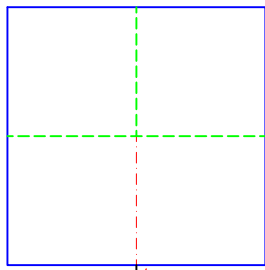
AIR / VAPOR CONTROL LAYERS

3" (7.5cm) MIN. OR VERTICAL HEIGHT OF INSULATION. IN CASE OF FULL WALL COVERAGE, USE A SEPARATE PIECE

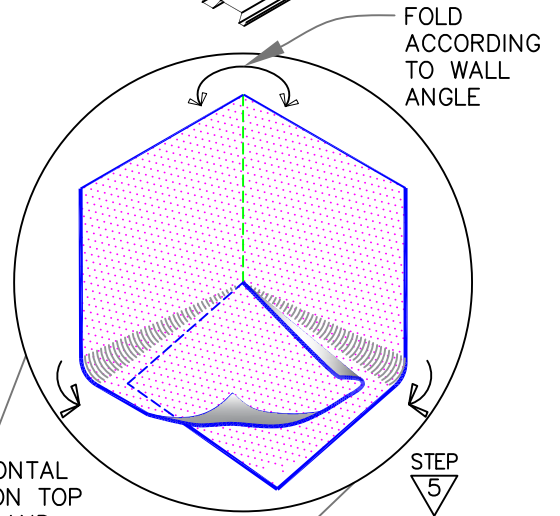
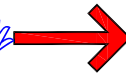
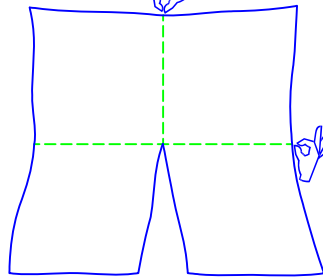
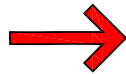


8"X8" (20cmX20cm) PIECE OF VapAir Seal MD

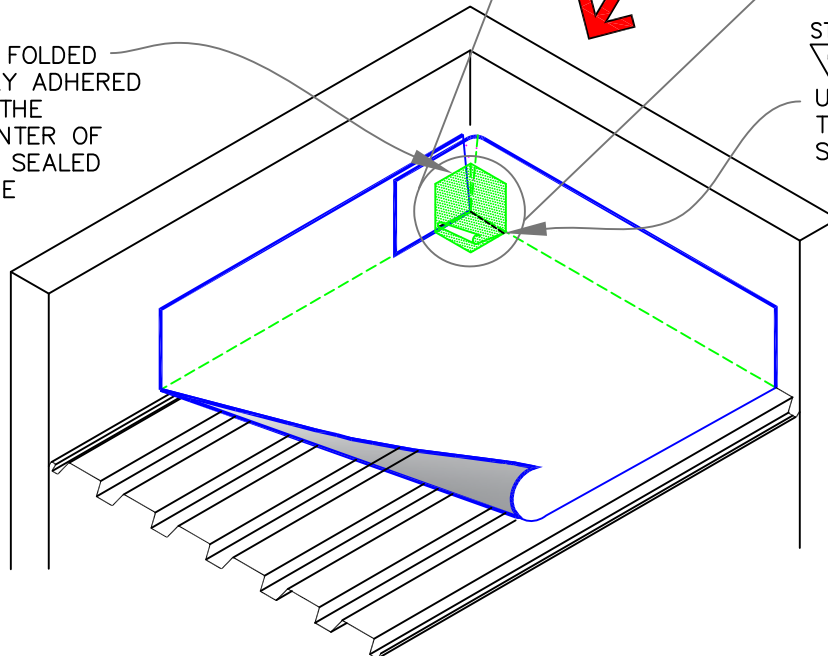
FOLD IN AT 3 DASH LINES



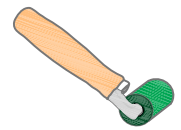
CUT TO CENTER POINT ONLY



FINAL INSIDE CORNER FOLDED FLASHING PIECE, FULLY ADHERED AT CORNER. ENSURE THE PIN-HOLE AT THE CENTER OF CORNER IS PROPERLY SEALED WITH THUMB PRESSURE



USE ROLLER PRESSURE TO PROPERLY SEAL ALL SURFACES



SEE [MD-0 \(PAGE 1 & 2\)](#) FOR ADDITIONAL INFORMATION

VapAir Seal MD



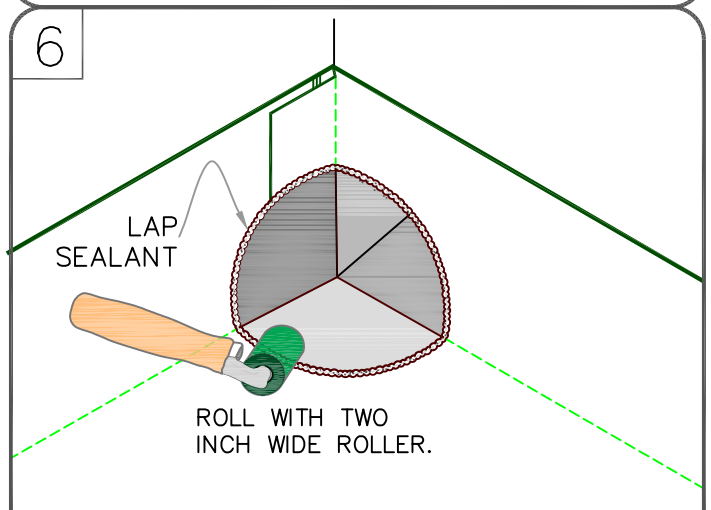
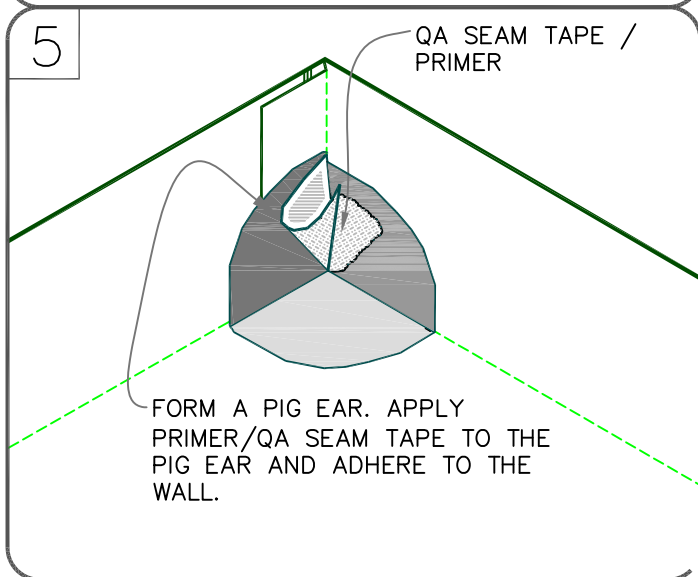
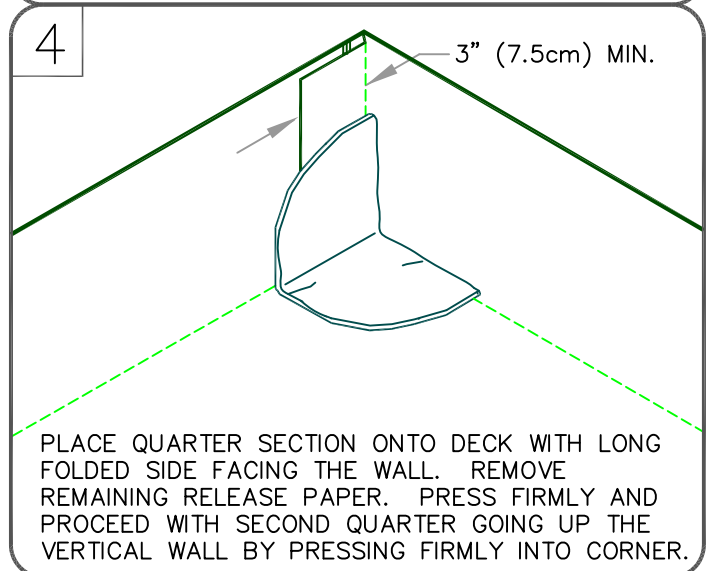
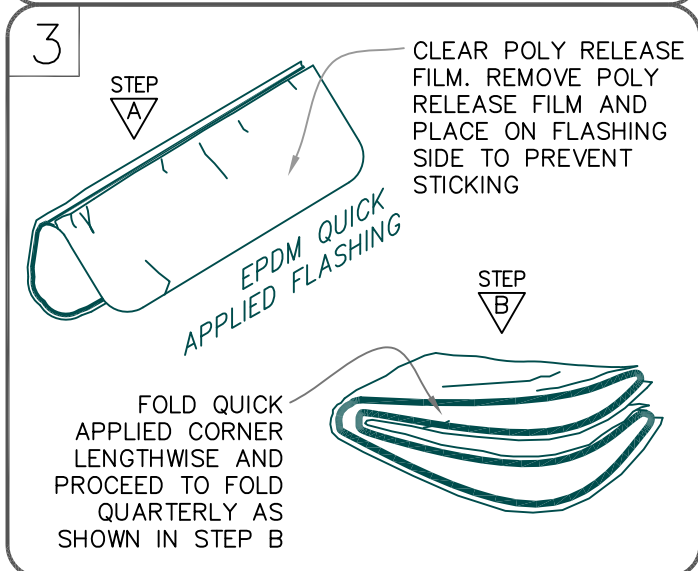
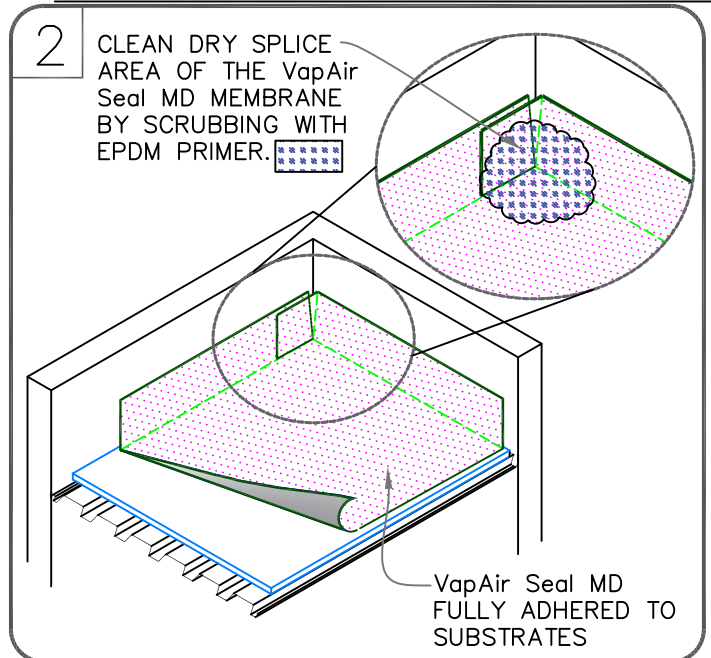
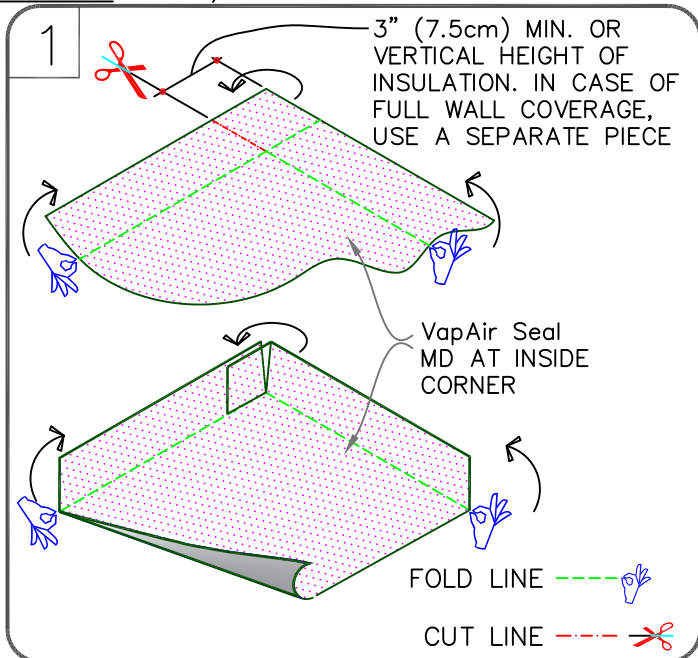
INSIDE CORNER WITH VapAir Seal MD PIECE

- VapAir Seal MD
- ROOF MEMBRANE
- CAV-GRIP, CCW-702 OR CCW-702LV
- SEE NOTE(S)

DETAIL NO.

MD-15.1A

ADHERED A&VB



SEE MD-0 (PAGE 1 & 2) FOR ADDITIONAL INFORMATION

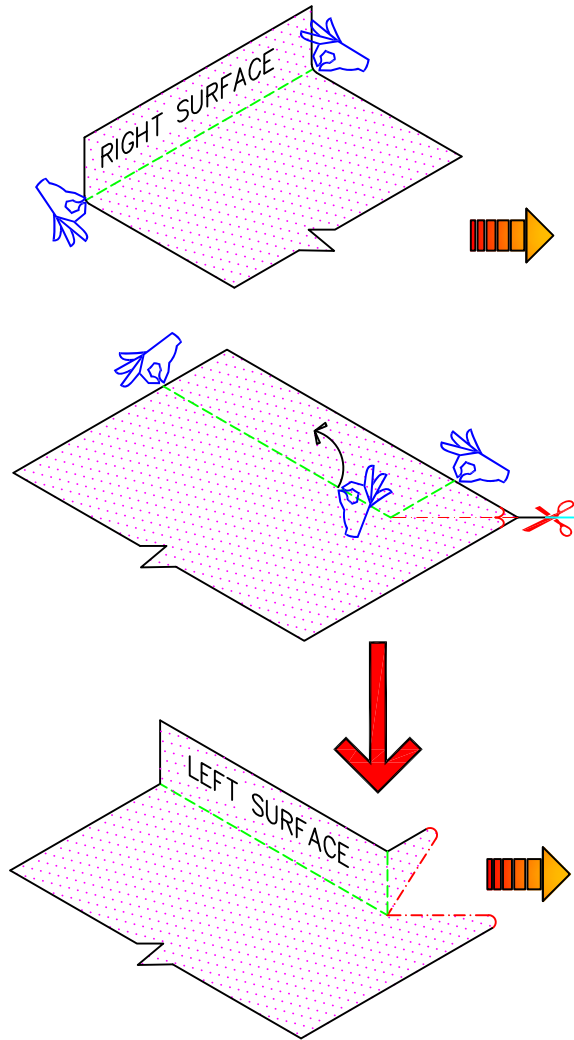
VapAir Seal MD



INSIDE CORNER FLASHING WITH QUICK APPLIED UNCURED EPDM FLASHING

- VapAir Seal MD
- ROOF MEMBRANE
- CAV-GRIP, CCW-702 OR CCW-702LV
- SEE NOTE(S)


DETAIL NO.
MD-15.1B
ADHERED A&VB




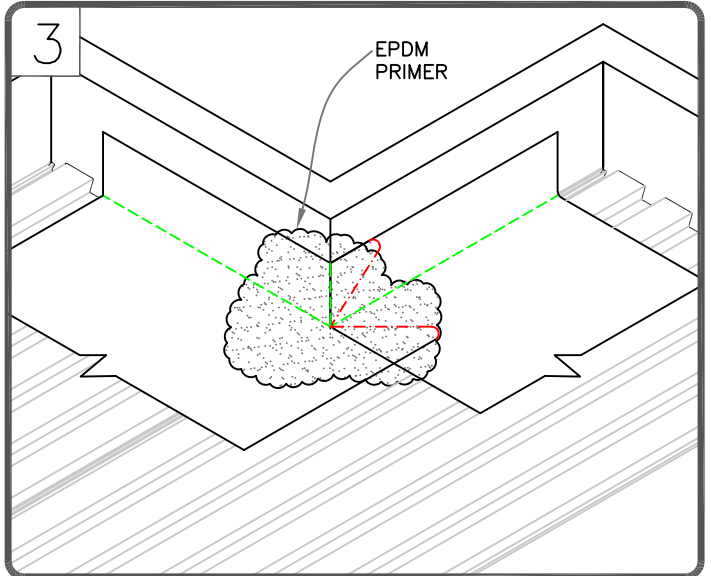
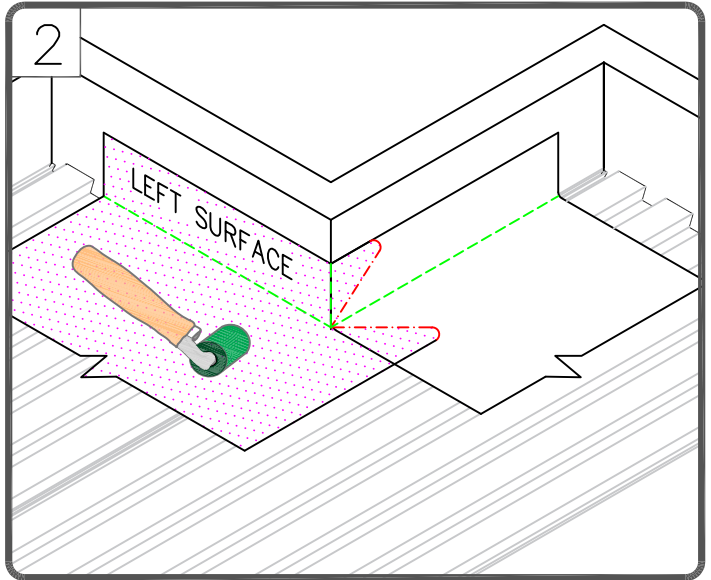
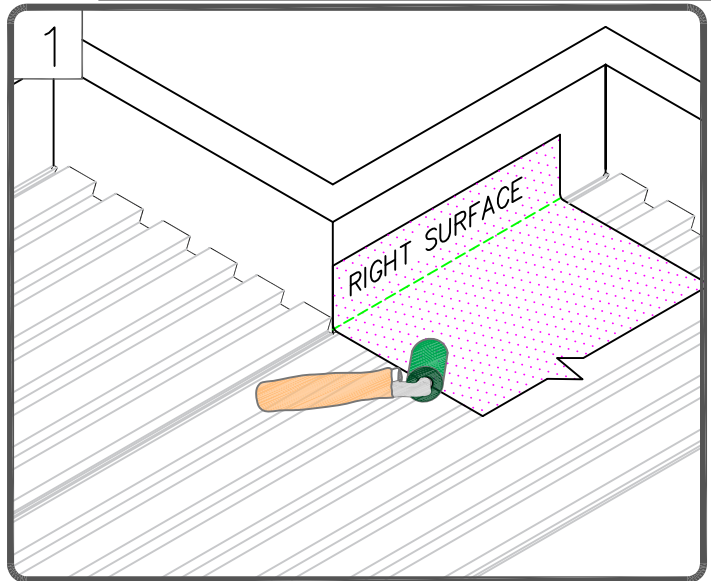
USE ROLLER PRESSURE TO PROPERLY SEAL ALL SURFACES

CLEAN THE DRY SPLICE AREA OF THE VapAir Seal MD BY SCRUBBING WITH EPDM PRIMER.

 VapAir Seal MD

FOLD LINE 

CUT LINE 






SEE [MD-0 \(PAGE 1 & 2\)](#) FOR ADDITIONAL INFORMATION

VapAir Seal MD



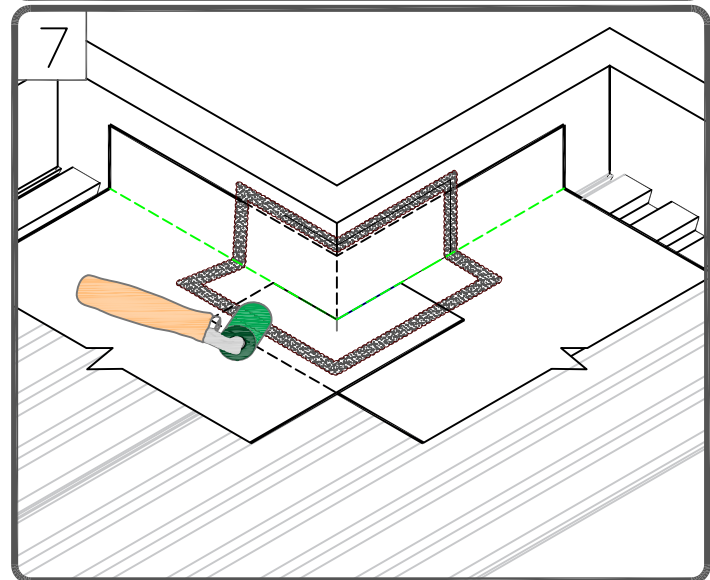
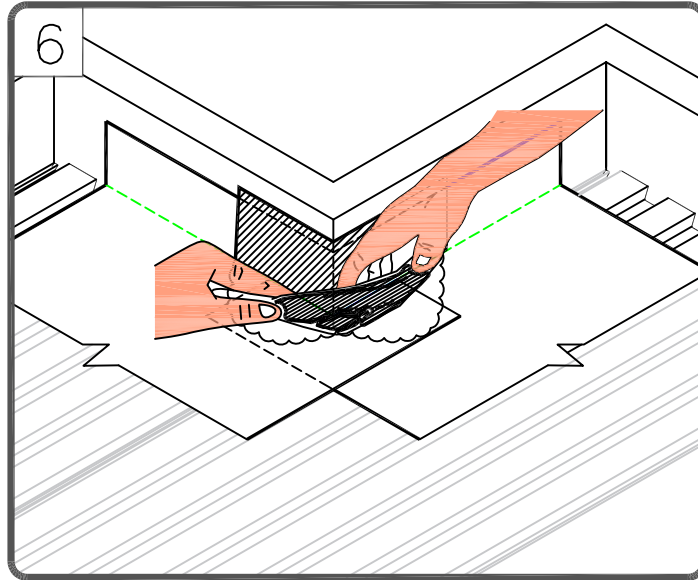
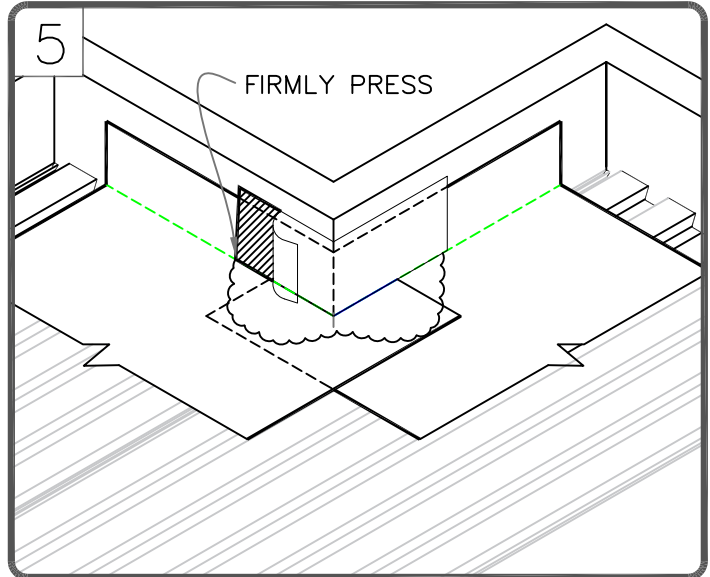
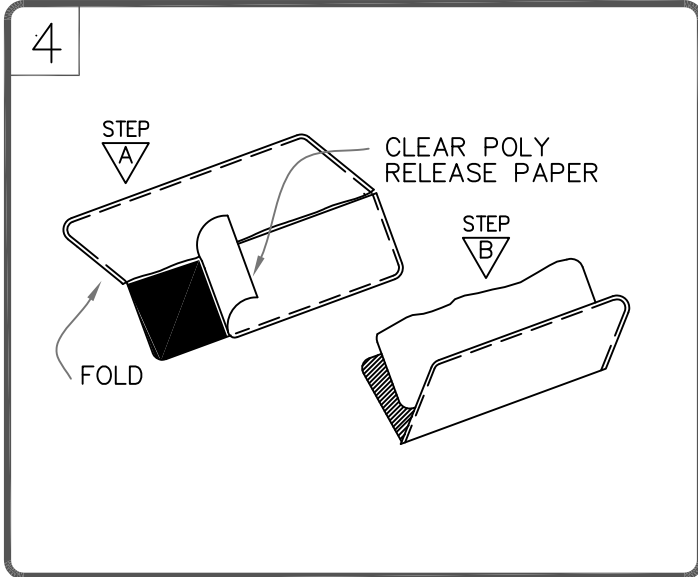
OUTSIDE CORNER WITH PRE-CUT QUICK-APPLIED UNCURED EPDM (PAGE 1 OF 2)

-  VapAir Seal MD
-  ROOF MEMBRANE
-  CAV-GRIP, CCW-702 OR CCW-702LV
- 1 SEE NOTE(S)

DETAIL NO.
MD-15.2C
ADHERED A&VB

PRIOR TO PLACEMENT OF VERSIGARD CORNER, PEEL OFF THE BLUE POLY RELEASE FILM AND HEAT THE FLASHING SIDE WITH A HEAT GUN. RE-APPLY THE POLY LOOSELY. FOLD THE FLASHING IN HALF.

PLACE VERSIGARD INSIDE/OUTSIDE CORNER AS SHOWN AND REMOVE RELEASE PAPER. PRESS FOLDED FLASHING TIGHTLY INTO ANGLE CHANGE AND FIRMLY PRESS FLASHING AGAINST THE VERTICAL SURFACE.



PLACE FOLDED FLASHING TIGHTLY INTO ANGLE CHANGE AND FIRMLY PRESS FLASHING ONTO THE DECK FLANGE BY PRESSING THE FLASHING AGAINST THE HORIZONTAL SURFACE.

ROLL WITH A TWO INCH WIDE ROLLER. PAY PARTICULAR ATTENTION TO THE STEP OFFS AND ANGLE CHANGE.

SEE [MD-0 \(PAGE 1 & 2\)](#) FOR ADDITIONAL INFORMATION

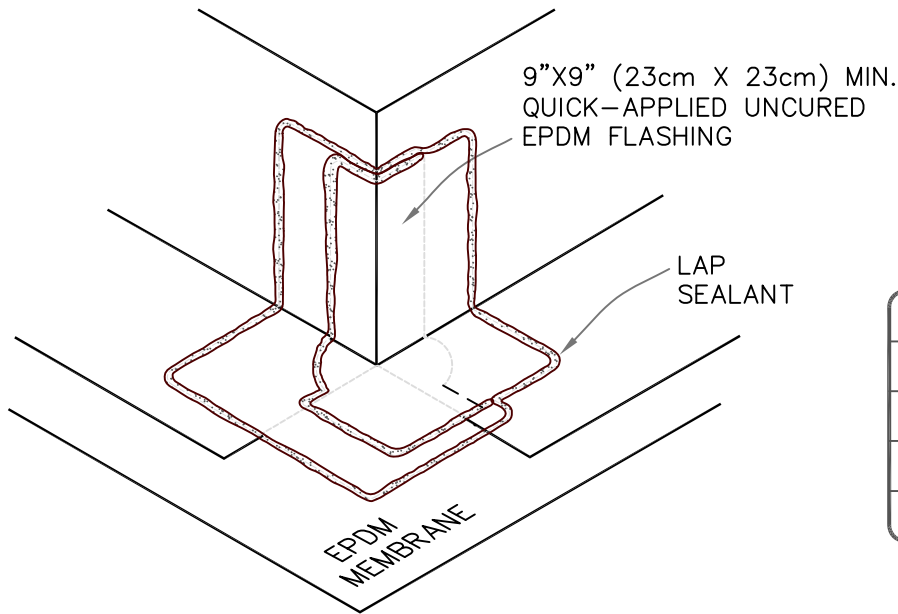
VapAir Seal MD



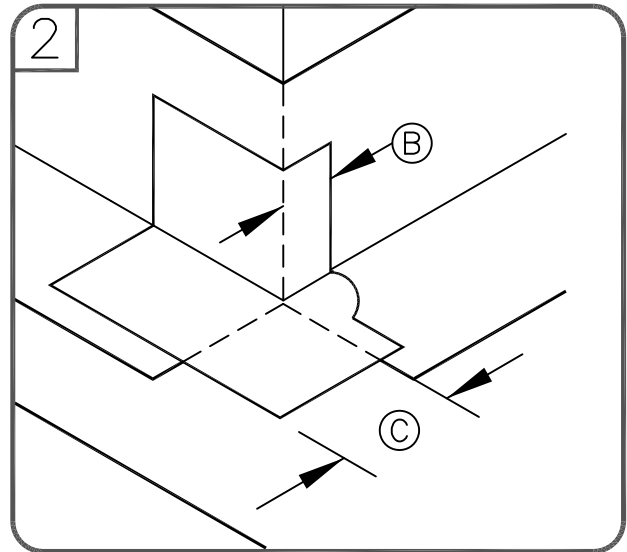
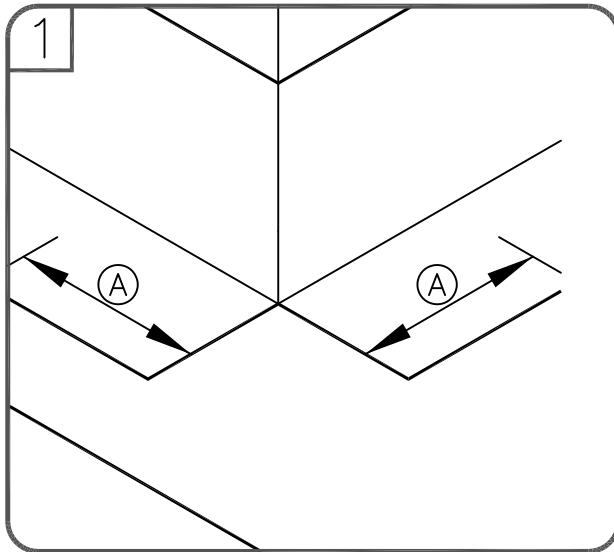
OUTSIDE CORNER WITH PRE-CUT QUICK-APPLIED UNCURED EPDM (PAGE 2 OF 2)

- VapAir Seal MD
- ROOF MEMBRANE
- CAV-GRIP, CCW-702 OR CCW-702LV
- 1 → SEE NOTE(S)

DETAIL NO.
MD-15.2C
ADHERED A&VB



DIMENSIONS		cm	
(A)	6"	15	TO
	9"	23	
(B)	2"	5	MIN.
(C)	3"	7.5	MAX.



NOTES:

1. APPLY EPDM PRIMER TO THE VapAir Seal MD SURFACES PRIOR TO INSTALLING QUICK-APPLIED FLASHING.
2. QUICK-APPLIED UNCURED EPDM FLASHING TO OVERLAP DECK SURFACE 3" (7.5cm) MINIMUM AND EXTEND 2" (5cm) MINIMUM AROUND CORNERS.
3. IN COLDER TEMPERATURES, A HEAT GUN MUST BE USED WHEN FORMING QUICK-APPLIED UNCURED EPDM FLASHING.

SEE [MD-0 \(PAGE 1 & 2\)](#) FOR ADDITIONAL INFORMATION

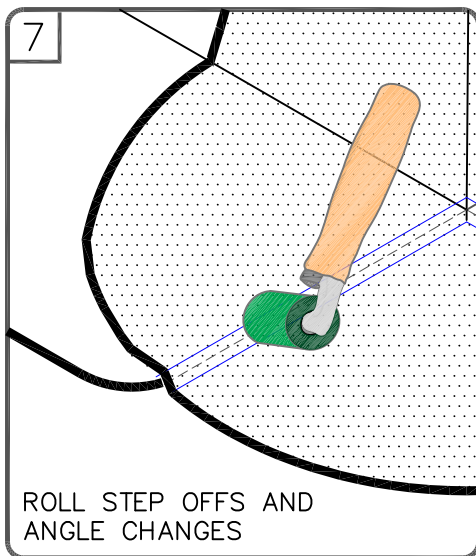
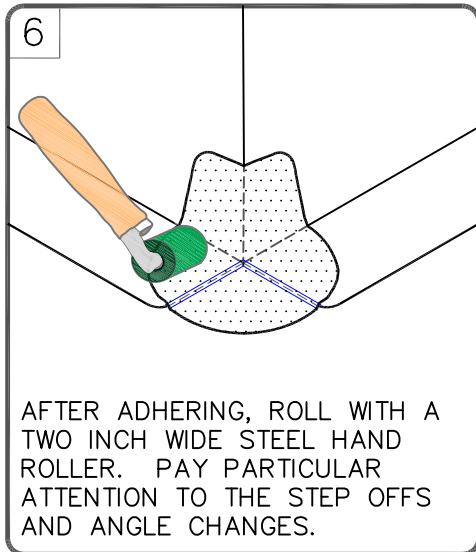
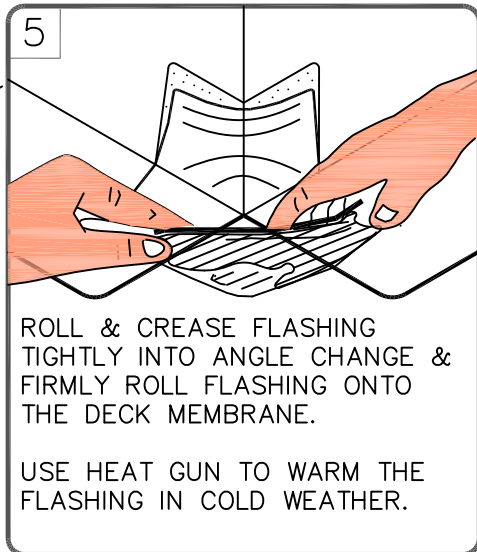
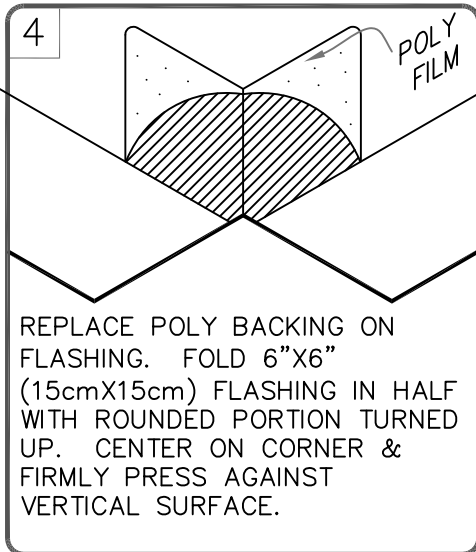
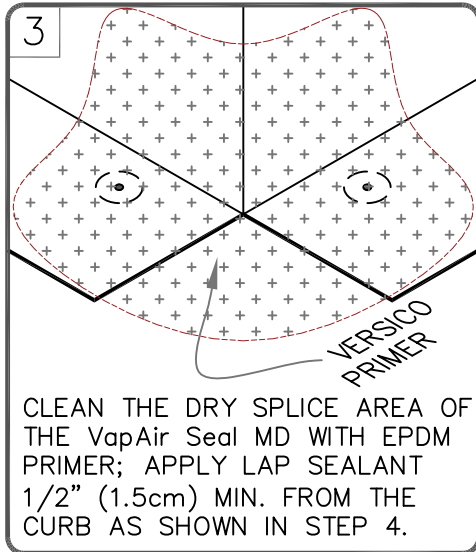
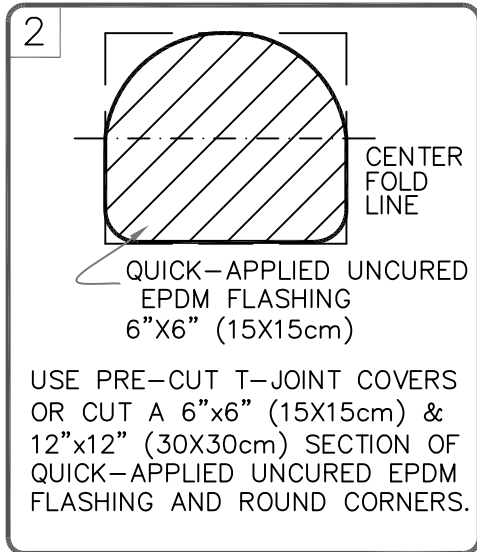
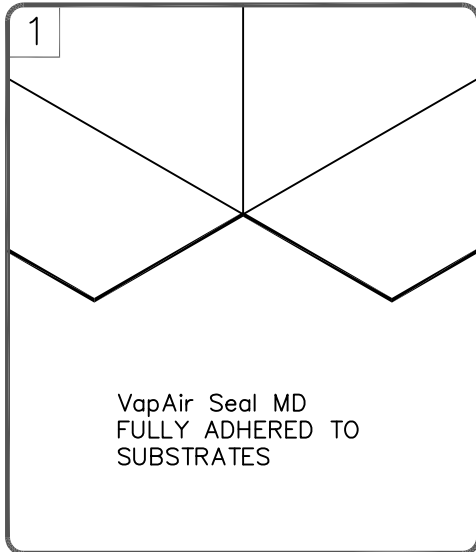
VapAir Seal MD



OUTSIDE CORNER WITH QUICK-APPLIED UNCURED EPDM FLASHING - OPTION 1

- VapAir Seal MD
- ROOF MEMBRANE
- CAV-GRIP, CCW-702 OR CCW-702LV
- 1 → SEE NOTE(S)

DETAIL NO.
MD-15.2D
ADHERED A&VB



SEE [MD-0 \(PAGE 1 & 2\)](#) FOR ADDITIONAL INFORMATION

VapAir Seal MD



OUTSIDE CORNER WITH QUICK-APPLIED UNCURED EPDM

- VapAir Seal MD
- ROOF MEMBRANE
- CAV-GRIP, CCW-702 OR CCW-702LV
- SEE NOTE(S)

DETAIL NO.

MD-15.2E

ADHERED A&VB