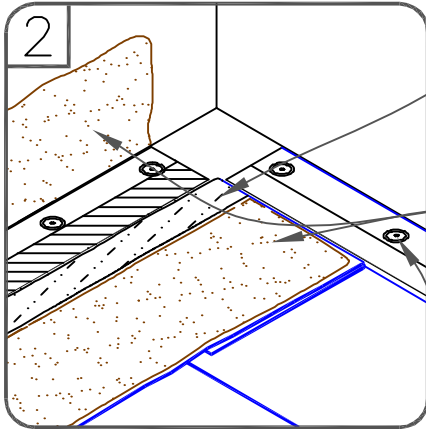
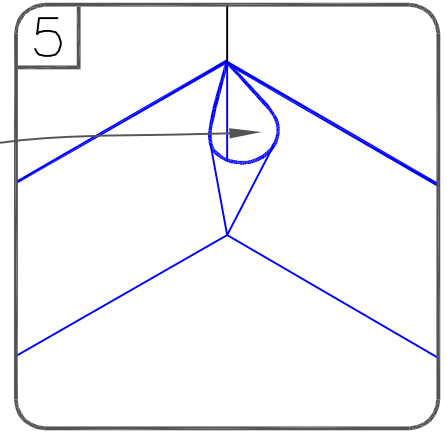


6" (15cm) WIDE PRESSURE-SENSITIVE RUS (MAY BE FASTENED INTO VERTICAL SUBSTRATE)

FORM PIG EAR WITH CONTINUOUS MEMBRANE AT CORNER AS SHOWN

CARLISLE SEAM PLATE & FASTENER.

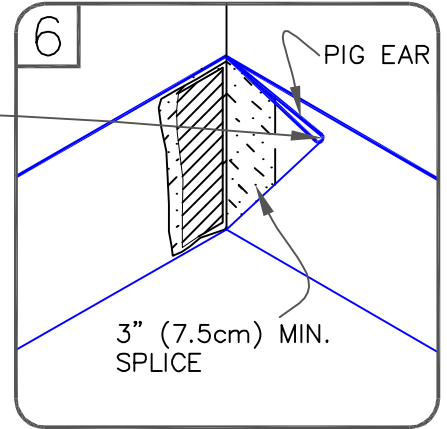


EPDM PRIMER

CUT & REMOVE EXCESSIVE MEMBRANE

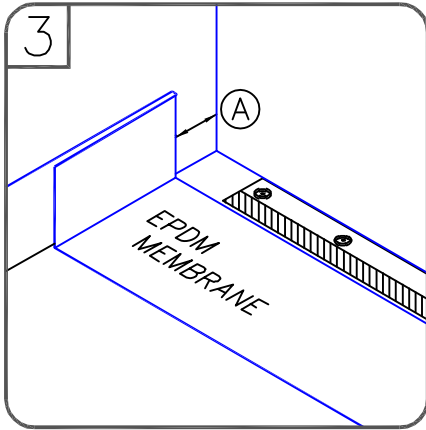
SURE-SEAL BONDING ADHESIVE

CARLISLE SEAM FASTENING PLATE & FASTENER.

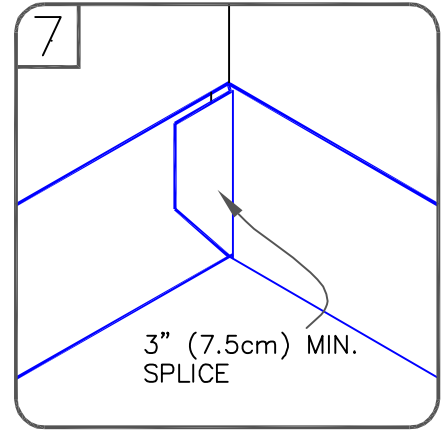


PIG EAR

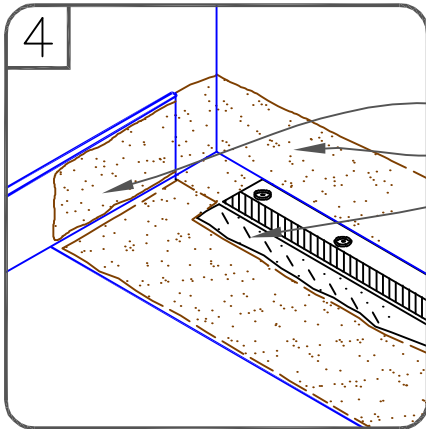
3" (7.5cm) MIN. SPLICE



| DIMENSIONS | | cm | |
|------------|----|----|----|
| (A) | 6" | 15 | TO |
| | 9" | 23 | |



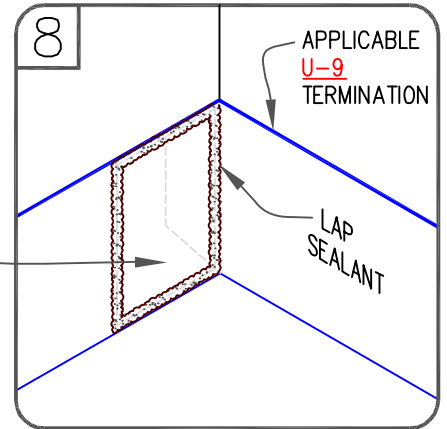
3" (7.5cm) MIN. SPLICE



SURE-SEAL BONDING ADHESIVE

EPDM PRIMER

6" (15cm) WIDE PRESSURE-SENSITIVE ELASTOFORM FLASHING AND EPDM PRIMER



APPLICABLE U-9 TERMINATION

LAP SEALANT



INSIDE CORNER WALL FLASHING WITH RUS (OPTION 2)
 MAXIMUM WARRANTY: 30 YEARS

DETAIL NO. U-15B
 U (UNIVERSAL DETAIL)