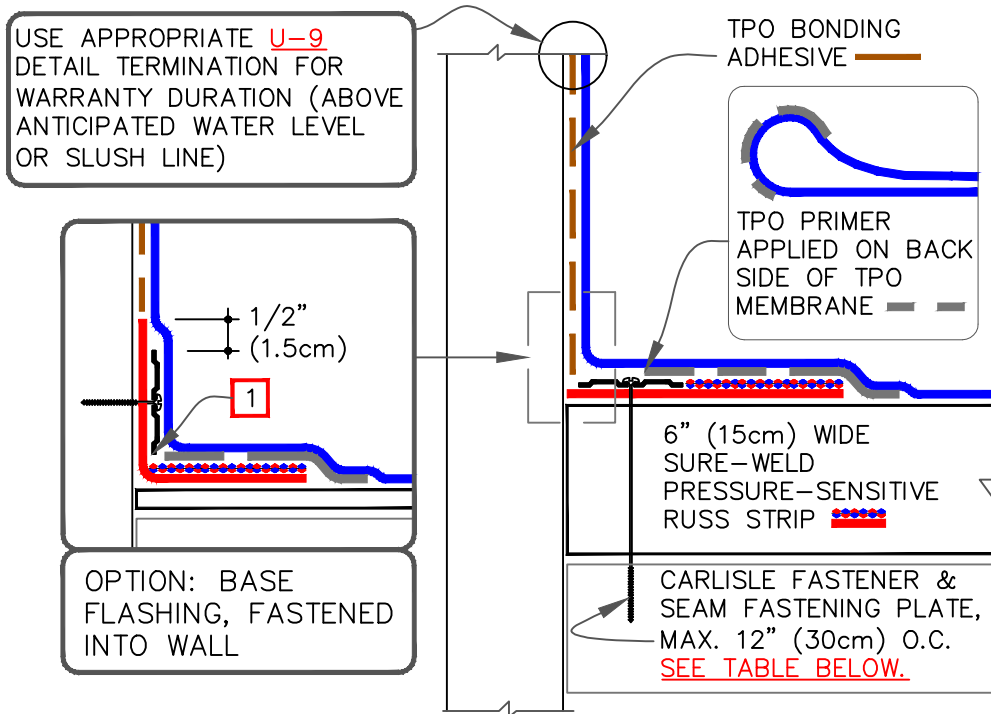


CAUTION

FASTENERS AND PLATES ARE REQUIRED AT 6" (15cm) O.C. FOR ALL SYSTEMS WITH WARRANTY WIND SPEED COVERAGE GREATER THAN 90 MPH AND FOR ALL PROJECTS WITH WARRANTIES GREATER THAN 20 YEARS.



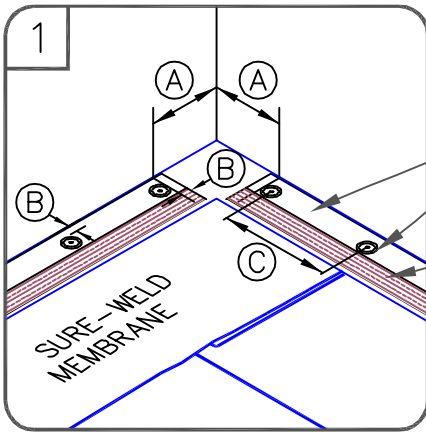
FASTENER & PRESSURE PLATE TYPES FOR DIFFERENT ROOF DECKS			
DECK TYPE	OPTION	FASTENER	PLATE
STEEL OR WOOD	A	HP-X	PIRANHA
	B	HP-XTRA	PIRANHA XTRA
STRUCTURAL CONCRETE	A	CD-10	PIRANHA
	B	HD 14-10	PIRANHA

NOTE:

1. IN A CASE WHERE FASTENERS MUST BE FASTENED INTO THE VERTICAL SURFACE, CARE MUST BE TAKEN TO PRESS THE PRESSURE-SENSITIVE RUSS, AS WELL AS THE MEMBRANE, TIGHTLY INTO THE ANGLE CHANGE TO MAXIMIZE CONTACT BETWEEN THE TAPE AND MEMBRANE. MEMBRANE MUST BE ADHERED TO THE FULL WIDTH OF THE TAPE. PLACING THE PLATES TIGHT INTO THE ANGLE CHANGE WILL HELP HOLD THE PRESSURE-SENSITIVE RUSS IN THE PROPER POSITION.

RUSS (REINFORCED UNIVERSAL SECUREMENT STRIP)

	PARAPET FLASHING WITH PRESSURE SENSITIVE RUSS, PAGE 1 OF 2		DETAIL NO.
	MAXIMUM WARRANTY: 30 YEARS		U-12B U (Universal Detail)



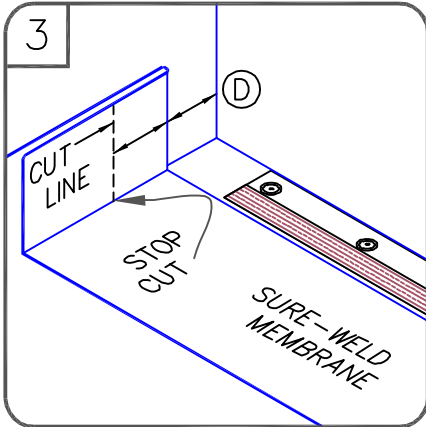
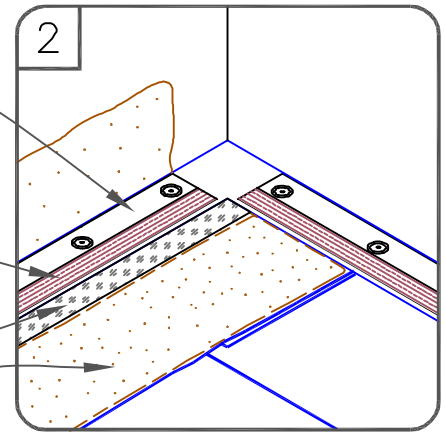
6" (15cm) WIDE PS RUSS

CARLISLE FASTENER & SEAM FASTENING PLATE, MAX. 12" (30cm) O.C.

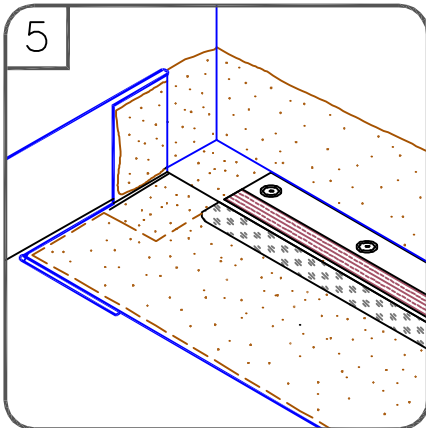
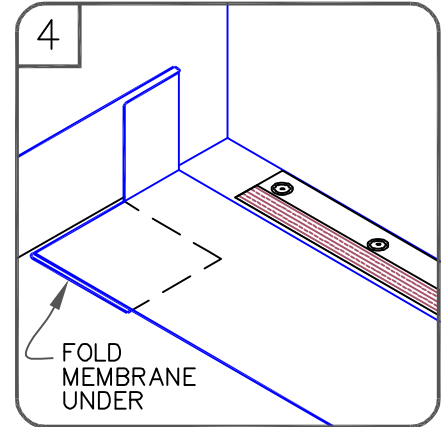
PRE-APPLIED PS TAPE

TPO PRIMER

SURE-WELD BONDING ADHESIVE



DIMENSIONS		cm	
(A)	6"	15	TO
	9"	23	
(B)	1/8"	0.5	MIN.
	1"	2.5	MAX.
(C)	12"	30	MIN.
(D)	6"	15	MIN.
(E)	1-1/2"	4	MIN.

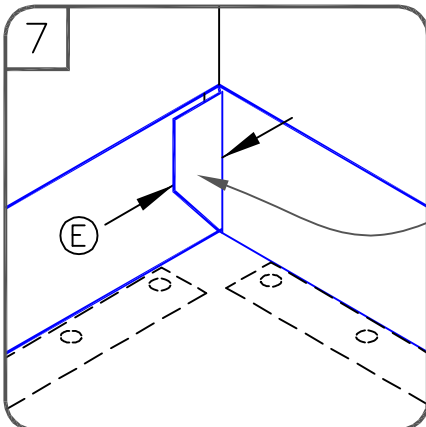
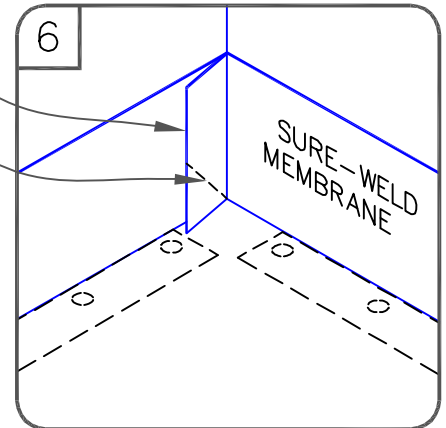


HOT AIR WELD FLAP IN [STEP 7](#)

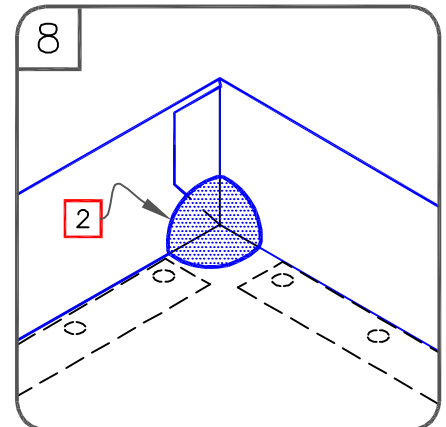
CUT AT 45°

NOTES:

1. THE CUT SECTION OF VERTICAL MEMBRANE WILL BE FOLDED UNDER THE FIELD MEMBRANE AS SHOWN IN [STEP 4](#).
2. APPLY INSIDE CORNER IN ACCORDANCE WITH CARLISLE [DETAILS U-15A OR U-15B](#).



HOT AIR WELD



PARAPET FLASHING WITH PRESSURE SENSITIVE RUSS, PAGE 2 OF 2

MAXIMUM WARRANTY: 30 YEARS



DETAIL NO.

U-12B.1