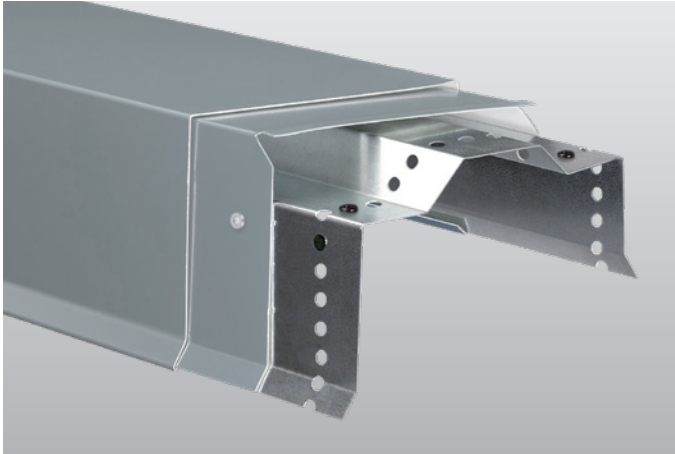


SecurEdge™ METAL

CF Snap-On Coping



Overview

Carlisle's SecurEdge CF Snap-On Coping, is a three piece coping system consisting of coping clips, hidden splice plates, and a snap on coping cap that can be used to cap almost any parapet. Standard coping cap length is 12', and clips are made from 20 gauge galvanized steel. Splice plates match the color and finish of the coping cap. Fabricated to any wall width required, from a minimum of 6" to a maximum of 24". Outside face heights are available from 3.25" – 12", with the maximum tested height 6". Inside face heights are available from 3" – 6", with the maximum tested height 4". Custom sizes are available by request.

Features and Benefits

- » Internal splice plate system eliminates caulked joints
- » True welded radiuses, matching corners, end caps, and other accessories are factory-fabricated, ensuring a proper fit, providing a cleaner appearance, and preventing the need for field fabrication
- » Approved for up to an FM 1-90 Wind Storm Rating
- » UL classified, FM approved, and meets the ANSI/SPRI/FM 4435/ES-1 Roof Edge Standard Test Protocol RE-3 for coping to comply with International Building Code requirements
- » Pre-punched holes and included stainless steel fasteners facilitate proper attachment and fast installation

Installation

For complete installation instructions, refer to Carlisle specifications and details, or visit www.hickmanedgesystems.com/Brands/Carlisle.

Finishes

- » Natural mill-finish aluminum
- » Pre-finished Kynar® standard and low gloss
- » Premium metallic Kynar
- » Anodized aluminum – clear, dark bronze, and black
- » Drexlume – Acrylic coated galvalume
- » HDG90 Galvanized Steel
- » Custom post-painted Kynar finishes available upon request
- » Please consult color chart for color and gauge/thickness availability, non stock combinations require minimum order and extended lead time

Quality Assurance

SecurEdge CF Snap-On Coping FM approved for Wind Storm Ratings up to FM 1-90 depending upon wall width, clip spacing, and gauge of cap. SecurEdge CF Snap-On Coping is UL Classified and meets ANSI/SPRI ES-1 Test Method RE-3 for coping. The SecurEdge CF Snap-On Coping has been tested simultaneously on the horizontal and vertical surfaces and has exceeded design wind pressure as calculated in accordance with the current edition of ANSI/SPRI ED-1 Design Standard for Edge Systems Used with Low Slope Roofing Systems.

Technical Services

Engineering and shop drawings, as well as long-form specifications and CAD details, are available from Carlisle. Product samples, detail sheets, color chips, and color charts are also available for submittal packages. For assistance with questions or submittals, contact Carlisle or your local manufacturer's representative.

Specifications

Wall Sizes (TESTED)	Front/Outside Face Size (TESTED)	Back/Inside Face Size (TESTED)	Cover Gauge	Clip Gauge
6" to 16"	3.25" to 6"	3" to 4"	22 ga. and 24 ga. Steel & .040" 050", .063" Aluminum	20 ga.

Warranty

Carlisle's SecurEdge CF Snap-On Coping is warranted in conjunction with the roofing system, in an edge to edge warranty up to 30 years with 120mph windspeeds. A non-prorated 35 year Kynar finish warranty is also available.