



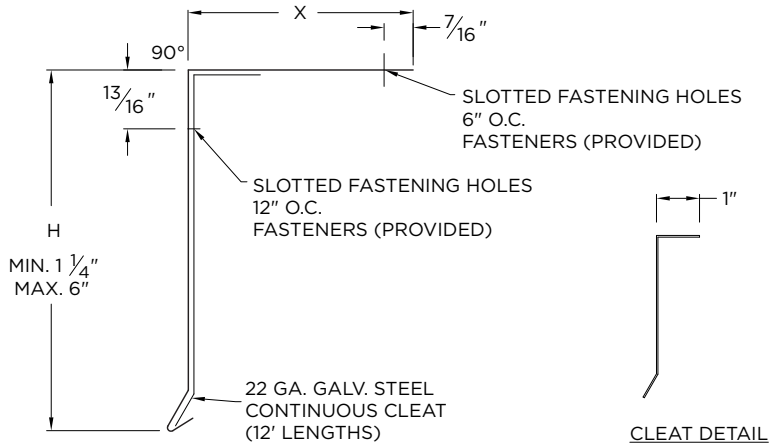
SECUREDGE DRIP EDGE

KYNAR WITH CONTINUOUS CLEAT

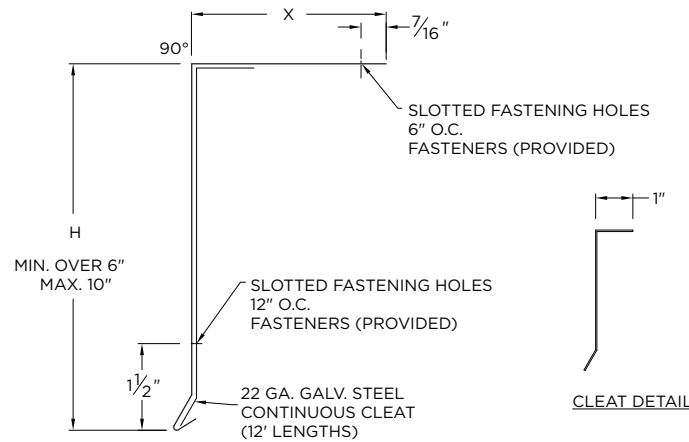
NOTES

- Includes concealed splice plates that must be field caulked to prevent water entry
- Unless otherwise noted, fabrication of miters and accessories are furnished standard utilizing a non-penetrating quicklock joint, then factory sealed watertight.
- Welded accessories require a minimum material thickness of .050"
- For non 90-degree angle, see separate print approval
- For non-90 miters, see separate print approval
- Product should be installed per provided installation instructions
- ANSI/SPRI/FM 4435/ES-1 Test Pressure up to 282 psf

FACE HEIGHT 6" OR LESS



FACE HEIGHT OVER 6"



APPROVALS



ANSI/SPRI/FM 4435/ES-1
Test Pressures listed in notes

PROJECT INFO

Project Name: _____

Architect: _____

Roofing Contractor: _____

Project Type:

By selecting this box you have verified and confirmed that dimensions, sizes, and quantities are correct. All products will be installed in strict accordance with printed instructions.

Date: _____

Customer Service
866-458-3537
(Metal-Era)

SHT #: _____ of _____

63 F7: **09/17/24**

DRN BY: **JJC**

CKD BY: **MM**

DWG #: 15010-1669

REV: **G**

DIMENSIONS

_____ (H) Face Height (inches-Max 10")

_____ (X) Flange Size (inches)

MATERIAL

24 Ga. Galv. Steel

Color: _____

22 Ga. Galv. Steel

Finish: _____

.040" Aluminum

Substrate: Wood

.050" Aluminum

Masonry

.063" Aluminum

Metal

OTHER: _____

If substrate is not given, wood fasteners will be provided.

QUANTITIES

_____ Lineal Feet (10'-0" Lengths)

Accessory Type:

_____ Outside Miter (90°)

Quicklock (Default)

_____ Inside Miter (90°)

Welded (Surcharge)