



# SecurEdge CF Coping & SecurEdge CF Gold Coping Installation Guide

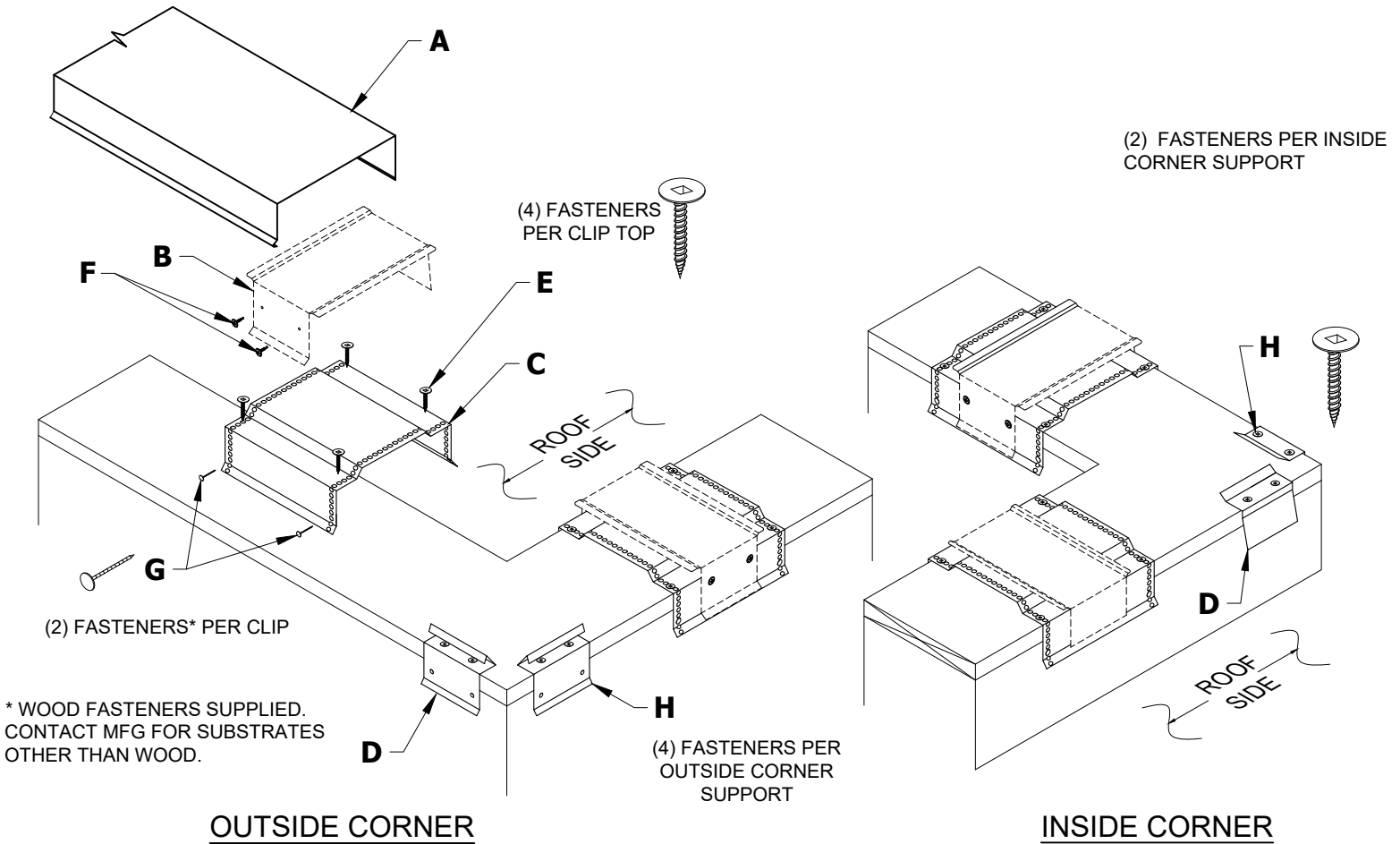
P.O. Box 7000  
Carlisle, PA 17013  
866-458-3537 (Metal-Era)  
[www.carlisesyntec.com](http://www.carlisesyntec.com)

# Installation Guide for SecurEdge CF Coping & SecurEdge CF Gold Coping

ANSI/SPRI/FM4435/ES-1 TESTED

**NOTES:**

- #1 - Isolate all metal parts from ACQ treated wood or other galvanically incompatible material with appropriate membrane material.
- #2 - Appliance attachments, such as lightning rods, signs, or antennae that penetrate the edge system, induce a galvanic reaction, or otherwise compromise the effectiveness of the roof edge system, shall be eliminated or isolated to prevent problems per ANSI/SPRI/FM4435/ES-1. Lightning protection systems for example must not be directly affixed to the product provided. Consult manufacturer for alternative attachment suggestions.



NOTE: ALL MITERS, END CONDITIONS, AND ACCESSORY CONDITIONS SHOULD BE INSTALLED PRIOR TO STRAIGHT SECTIONS

**A. Formed Coping Cap**

12'-0" Lengths

**B. 6" Wide Concealed Joint Splice**

One (1) at Each Clip Location

**C. 12" Wide Galv. Steel Clips**

Spaced @ 36" O.C.

**D. Corner Supports (Inside & Outside)**

Used to Support Outside and Inside Miters

**E. Top Clip Fasteners**

Four (4) Fasteners Per Clip  
(Included & Required)

**F. Splice Fasteners**

Two (2) Screws Per Splice  
(Included & Required)

**G. Face Clip Fasteners\***

Two (2) Fasteners Per Clip  
(Included & Required)

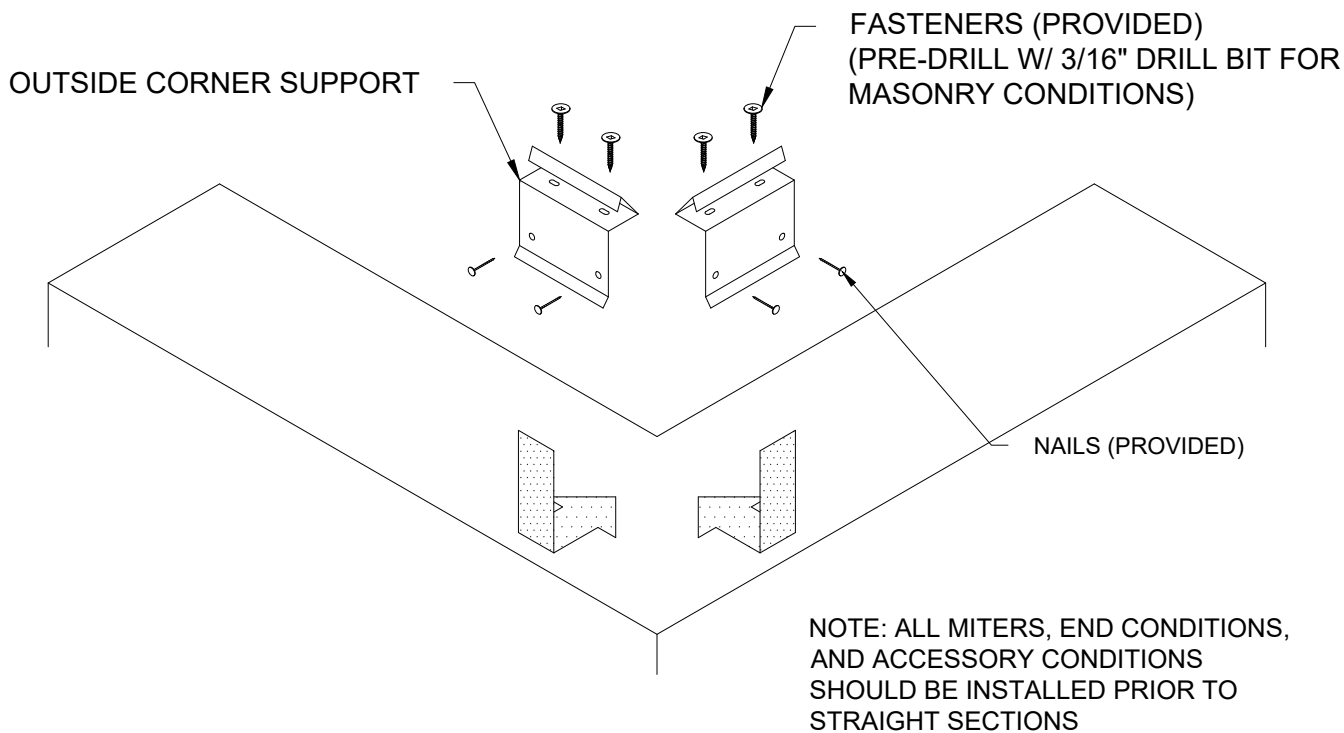
**H. Corner Support Fasteners**

Two (2) Fasteners Per Corner Support  
(Included & Required)  
Two (2) Nails Per Outside Corner Support  
(Included & Required)

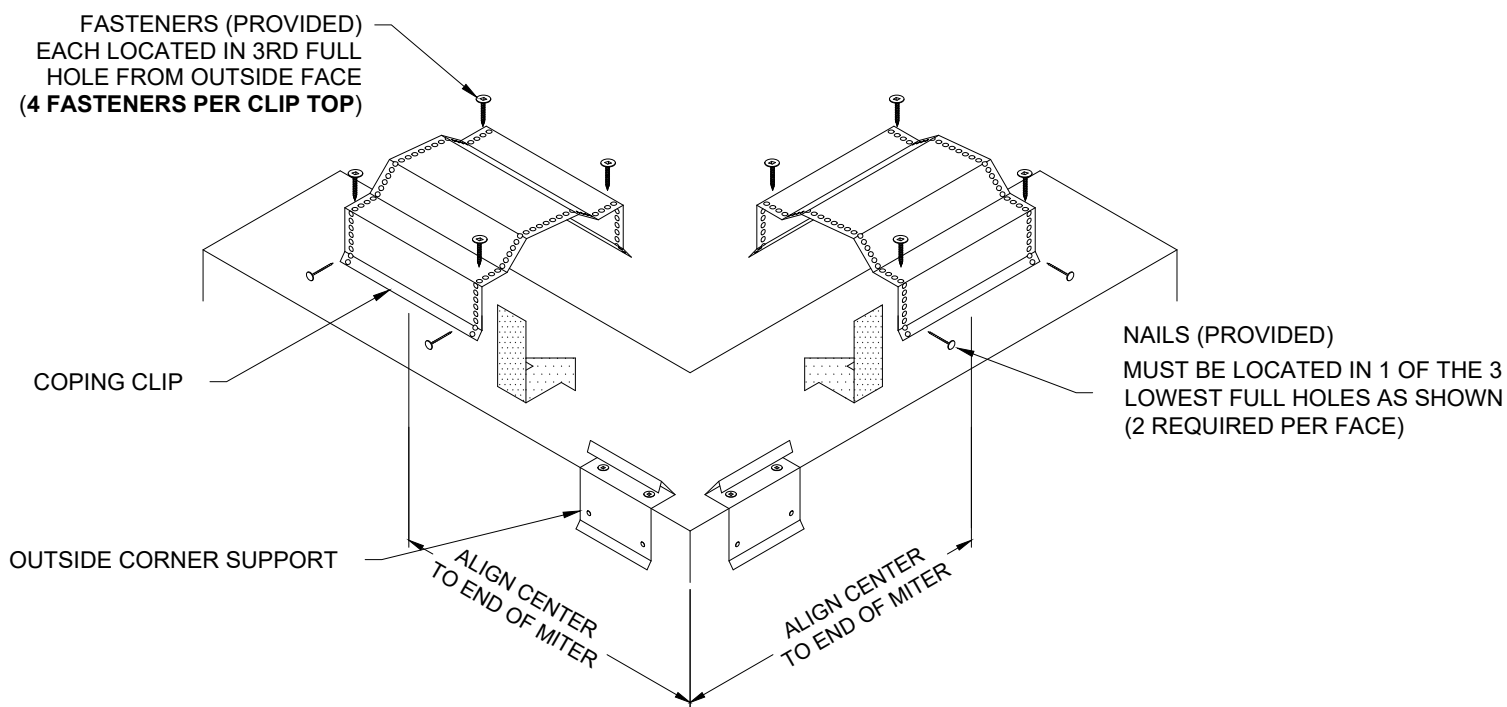
# SecurEdge CF Coping & SecurEdge CF Gold Coping Reference Guide

1.	Standard Installation Steps	Page 4
1.1.	Corner Supports	Page 4
1.2.	Coping Clip	Page 4
1.3.	Coping Splice	Page 5
1.4.	Coping Miter	Page 5
1.5.	Coping End Condition	Page 6
1.6.	Coping Straight Section	Page 6
2.	Accessory Condition Guide	Page 7
2.1.	Inline Miter Conditions	Page 8
2.2.	Pier Miter Conditions	Page 9
2.3.	Tee Miter Conditions	Page 10
2.4.	Ridge Miter Conditions	Page 11
2.5.	Valley Miter Conditions	Page 11
2.6.	Horizontal Zee Miter Conditions	Page 12
2.7.	Vertical Zee Miter Conditions	Page 13
2.8.	Vaulted Conditions	Page 14
2.9.	Radius Conditions	Page 15

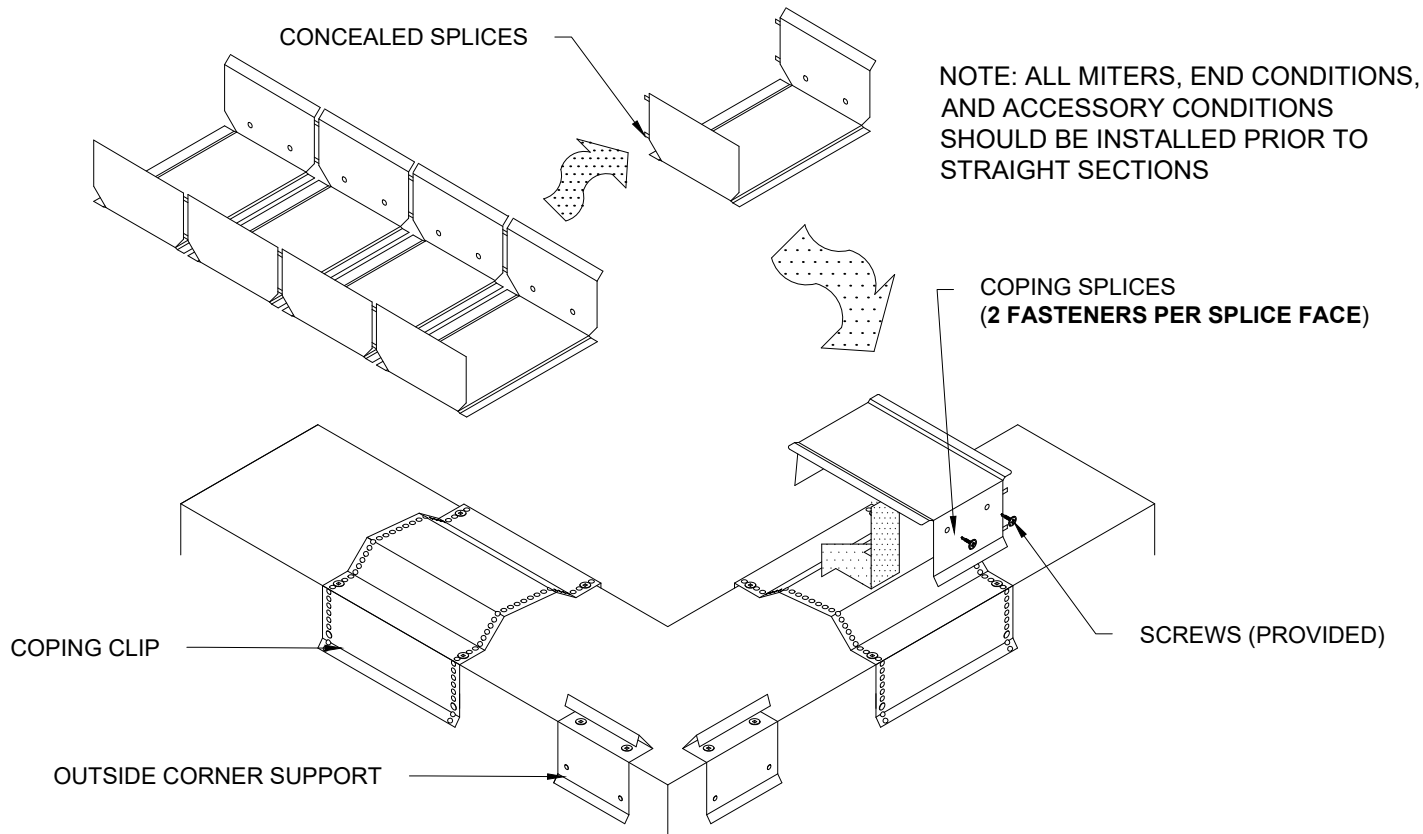
**STEP 1: BEGIN COPING INSTALLATION AT CORNER LOCATIONS AS SHOWN IN PICTURE BELOW BY INSTALLING CORNER SUPPORTS FLUSH AGAINST THE SUBSTRATE THEN USING THE FASTENERS PROVIDED FOR SECUREMENT.**



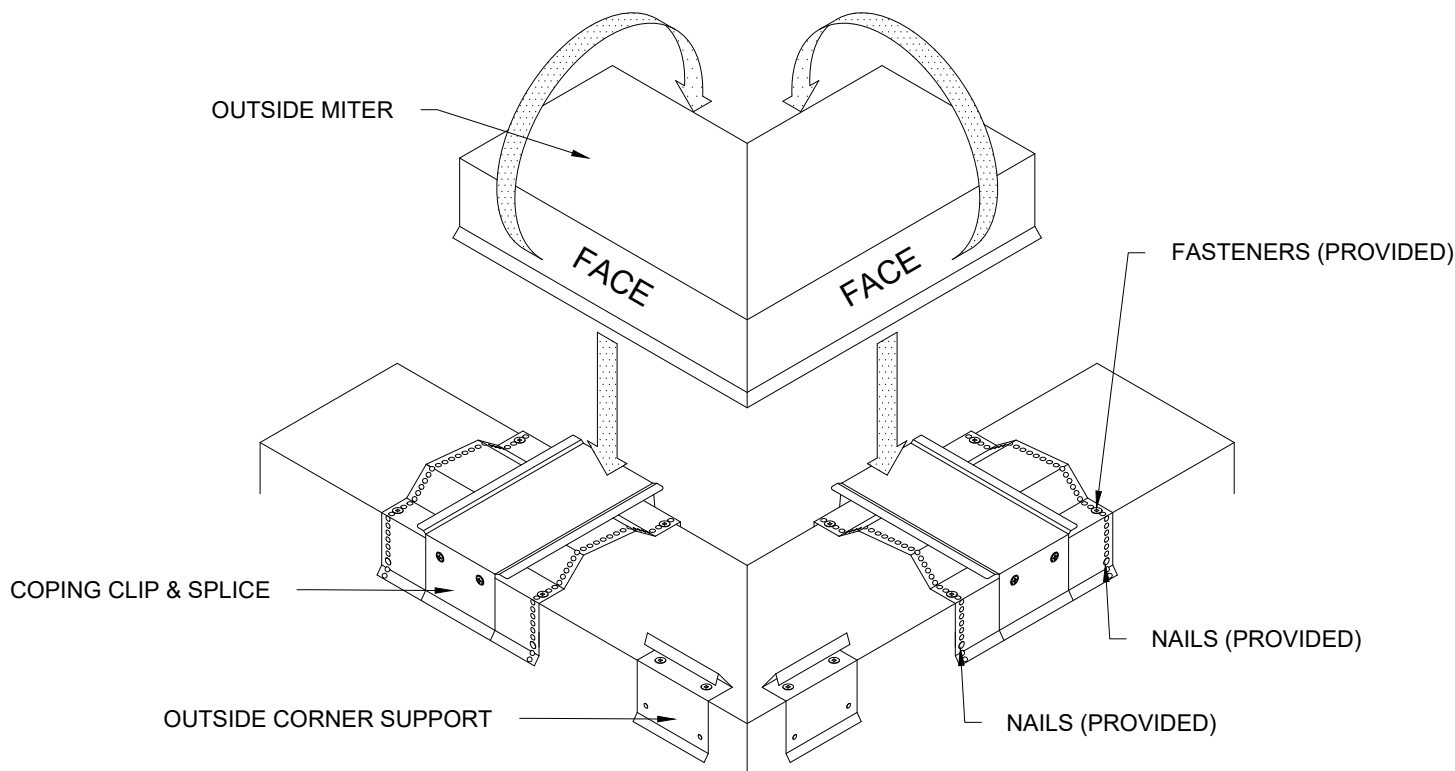
**STEP 2: ALIGN CENTER OF EACH CLIP FROM THE CORNER SUCH THAT THE MITER LEG SITS HALF-WAY OVER EACH CLIP AS SEEN IN STEPS 3 & 4 (PAGE 4)**



**STEP 3: LOCATE SPLICES AND SEPARATE FROM THE SET. ALIGN FACE KICKOUTS OF THE SPLICE AND CLIP. SECURE EACH SPLICE USING THE FASTENERS PROVIDED AT THE PRE-PUNCHED HOLES IN THE FACE OF THE SPLICE.**

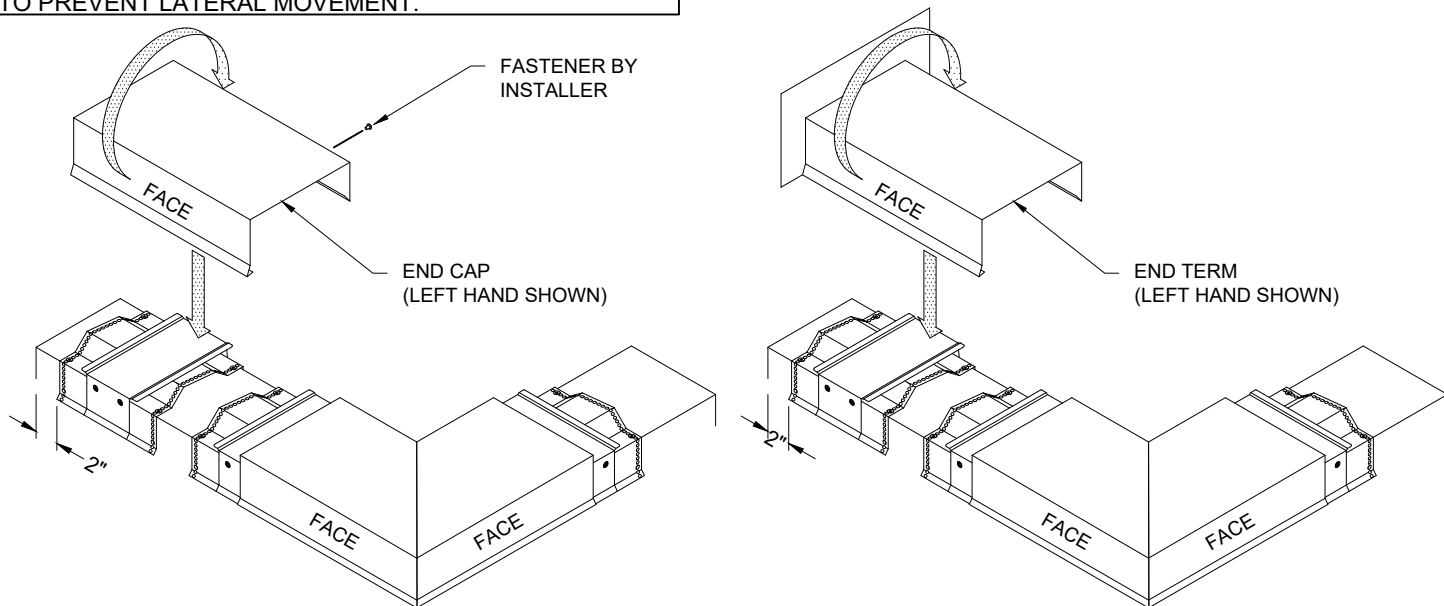


**STEP 4: LOCATE MITER AND PLACE ONE LEG OVER THE CORNER SUPPORT AND CLIP, ROTATE BACKWARD AND PRESS DOWNWARD ON CAP TO ENGAGE ONTO CLIP, THEN REPEAT ON ADJACENT LEG OF MITER. (INSIDE MITER IS INSTALLED IN THE SAME MANNER USING INSIDE CORNER SUPPORTS).**



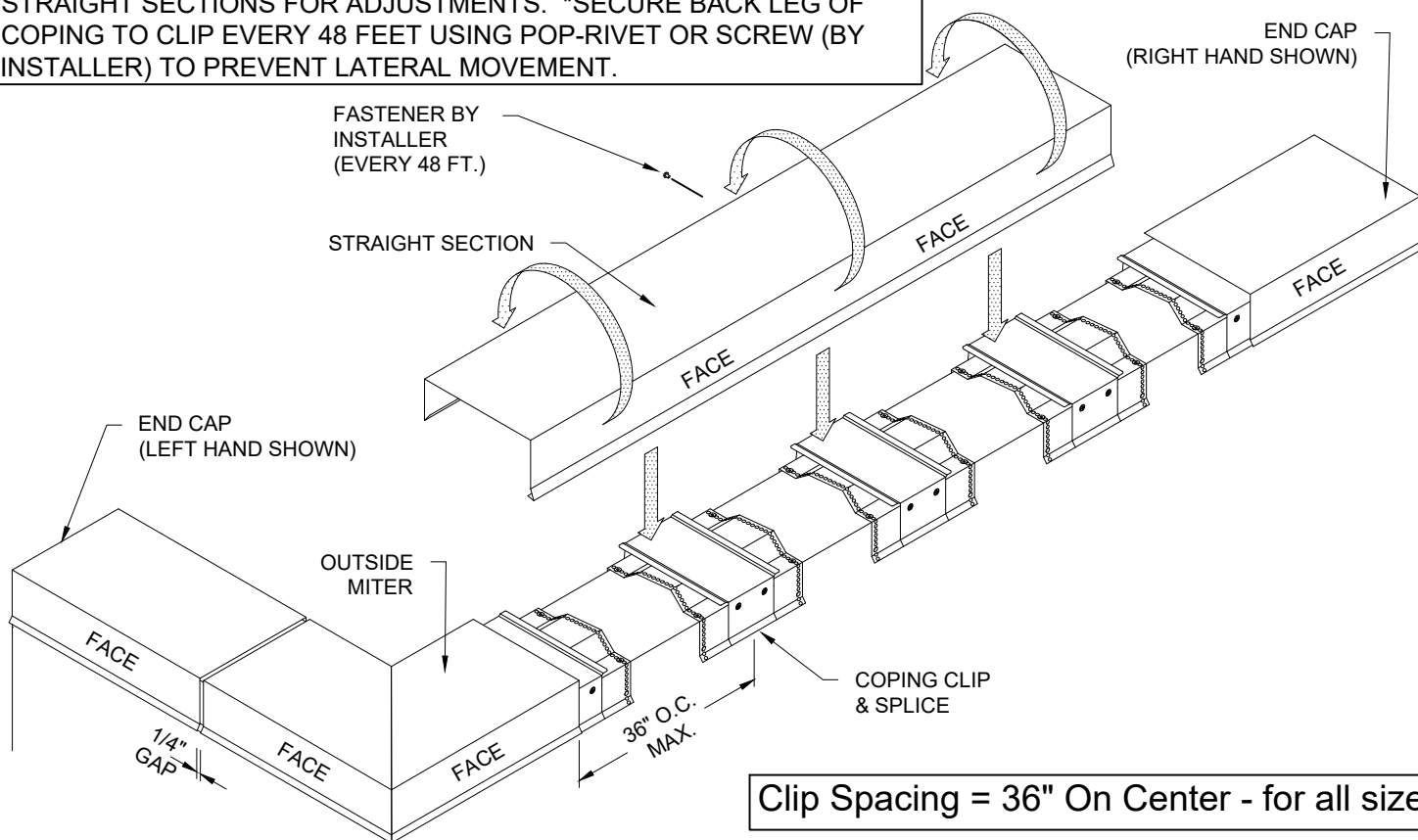
STEP 5: PLACE CLIPS AT END LOCATIONS SHOWN BELOW AND LOCATE END CAPS/END TERMS AND HOOK ON FRONT OF CLIP, ROTATE BACKWARD AND PRESS DOWNWARD TO ENGAGE ONTO CLIP. \*SECURE ENDCAP TO CLIP USING POP-RIVET OR SCREW (BY INSTALLER) TO PREVENT LATERAL MOVEMENT.

NOTE: ALL MITERS, END CONDITIONS, AND ACCESSORY CONDITIONS SHOULD BE INSTALLED PRIOR TO STRAIGHT SECTIONS



NOTE: ALL MITERS, END CONDITIONS, AND ACCESSORY CONDITIONS SHOULD BE INSTALLED PRIOR TO STRAIGHT SECTIONS

STEP 6: AFTER ALL CORNER AND END CONDITIONS ARE INSTALLED, INSTALL STRAIGHT SECTIONS, CUT DOWN AND ADJUST SPACING AS NEEDED. (DO NOT CUT CORNERS AND END CONDITIONS, USE STRAIGHT SECTIONS FOR ADJUSTMENTS. \*SECURE BACK LEG OF COPING TO CLIP EVERY 48 FEET USING POP-RIVET OR SCREW (BY INSTALLER) TO PREVENT LATERAL MOVEMENT.



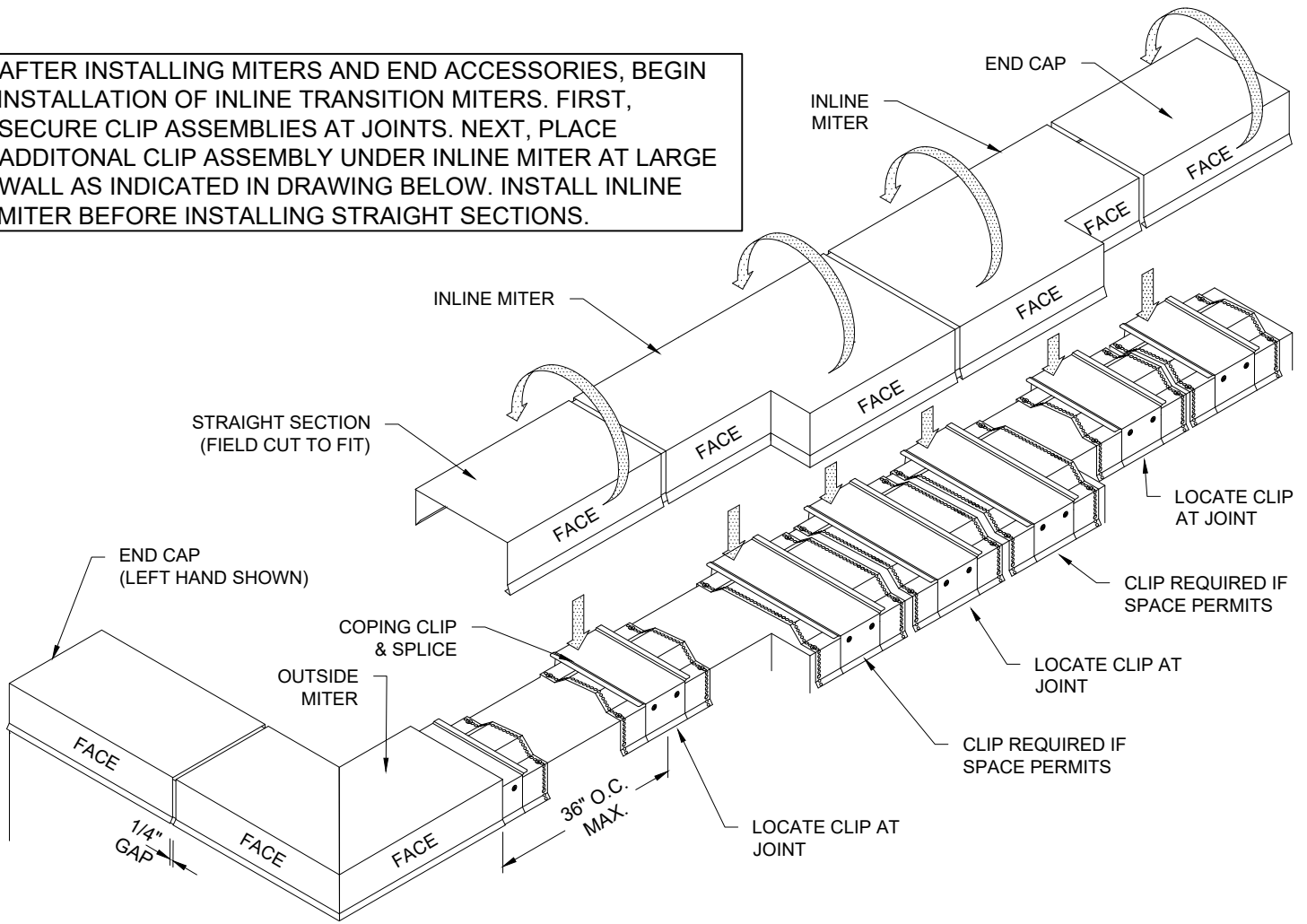
Clip Spacing = 36" On Center - for all sizes

# SecurEdge CF Coping & SecurEdge CF Gold Coping Accessory Conditions Reference

- Inline Miter Conditions (Page 8)
- Pier Miter Conditions (Page 9)
- Tee Miter Conditions (Page 10)
- Ridge Miter Conditions (Page 11)
- Valley Miter Conditions (Page 11)
- Horizontal Zee Miter Conditions (Page 12)
- Vertical Zee Miter Conditions (Page 13)
- Vaulted Conditions (Page 14)
- Radius Conditions (Page 15)

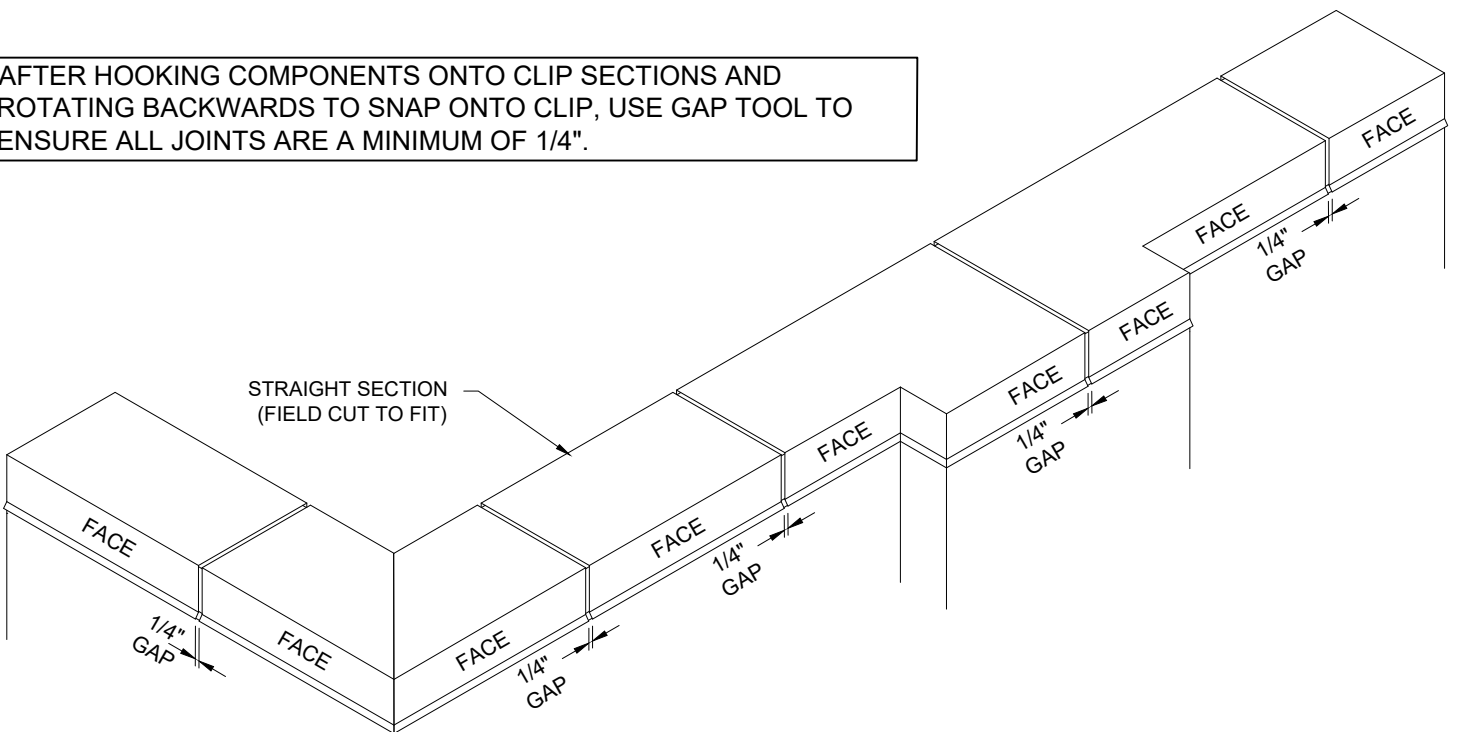
# INLINE MITER CONDITIONS

AFTER INSTALLING MITERS AND END ACCESSORIES, BEGIN INSTALLATION OF INLINE TRANSITION MITERS. FIRST, SECURE CLIP ASSEMBLIES AT JOINTS. NEXT, PLACE ADDITIONAL CLIP ASSEMBLY UNDER INLINE MITER AT LARGE WALL AS INDICATED IN DRAWING BELOW. INSTALL INLINE MITER BEFORE INSTALLING STRAIGHT SECTIONS.



NOTE: ALL MITERS, END CONDITIONS, AND ACCESSORY CONDITIONS SHOULD BE INSTALLED PRIOR TO STRAIGHT SECTIONS

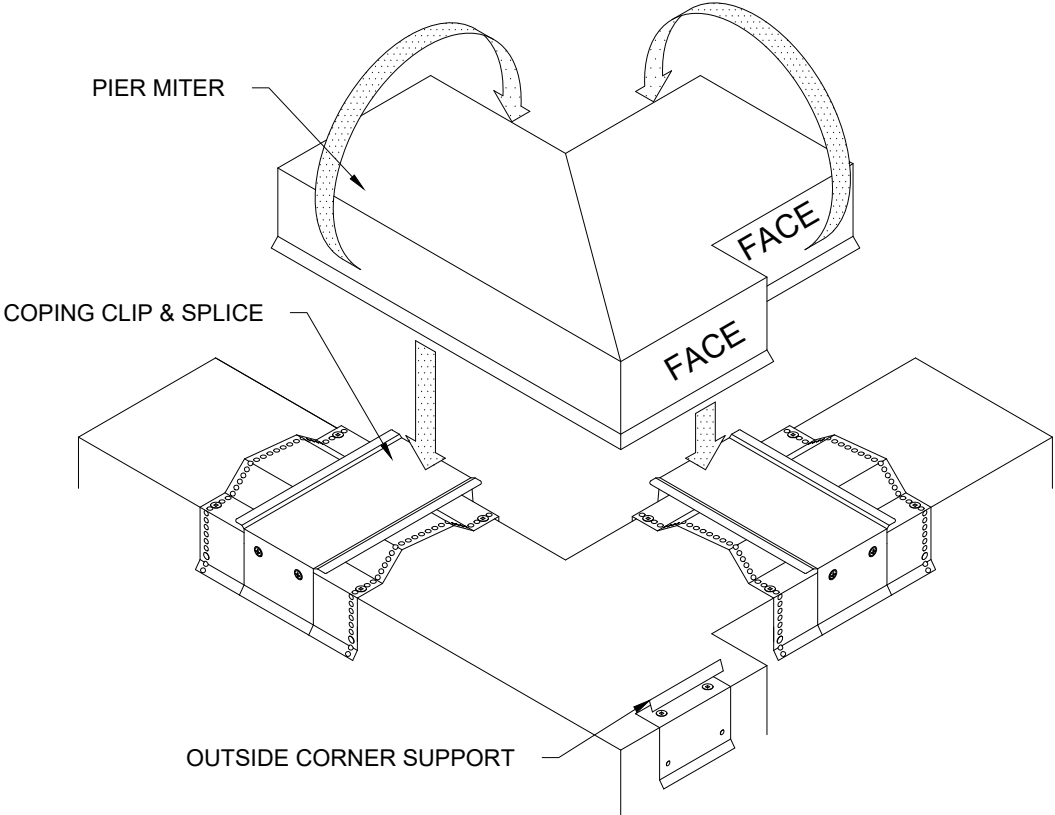
AFTER HOOKING COMPONENTS ONTO CLIP SECTIONS AND ROTATING BACKWARDS TO SNAP ONTO CLIP, USE GAP TOOL TO ENSURE ALL JOINTS ARE A MINIMUM OF 1/4".



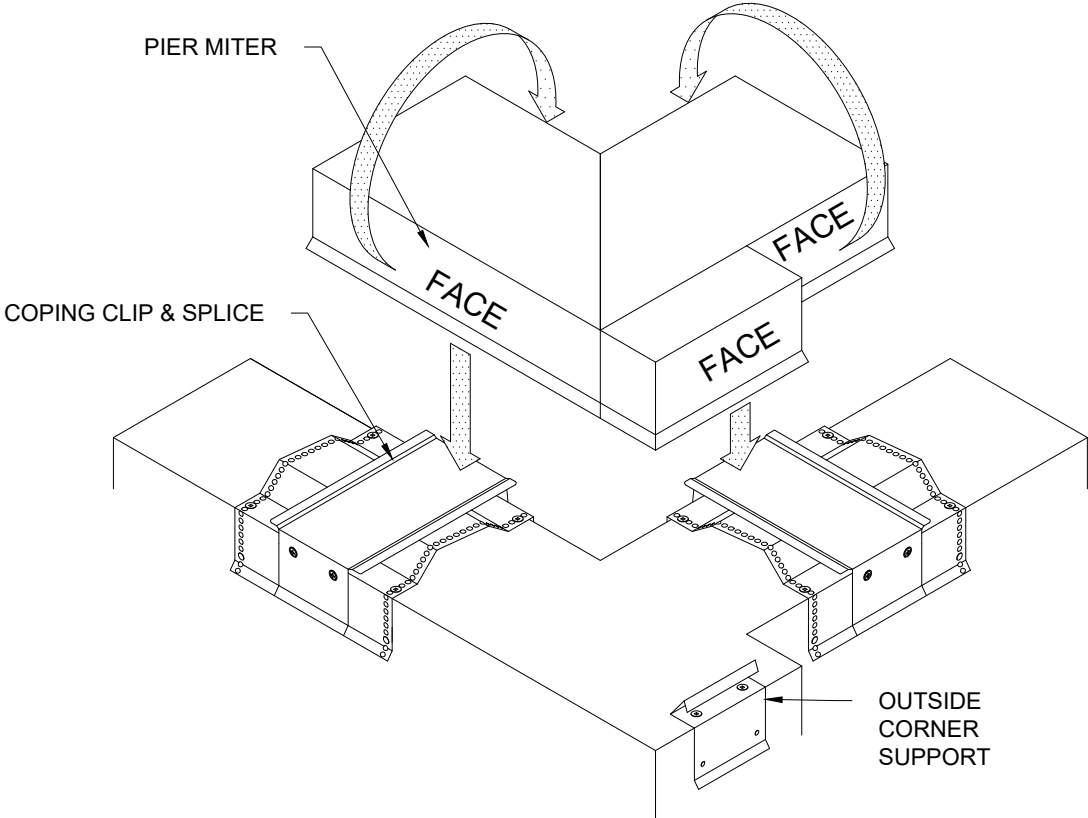


# PIER MITER CONDITIONS

LOCATE OUTSIDE CORNER SUPPORT AT OUTSIDE PIER LOCATION FIRST. PROCEED WITH LOCATING CENTER OF CLIP/SPLICES AT END OF EACH MITER LEG. HOOK ONTO FRONT OF CORNER SUPPORT AND COPING CLIP, ROTATE BACKWARD ONTO CLIP AND PUSH DOWNWARD TO ENGAGE CAP ONTO CLIP, THEN PROCEED WITH ADJACENT LEG.

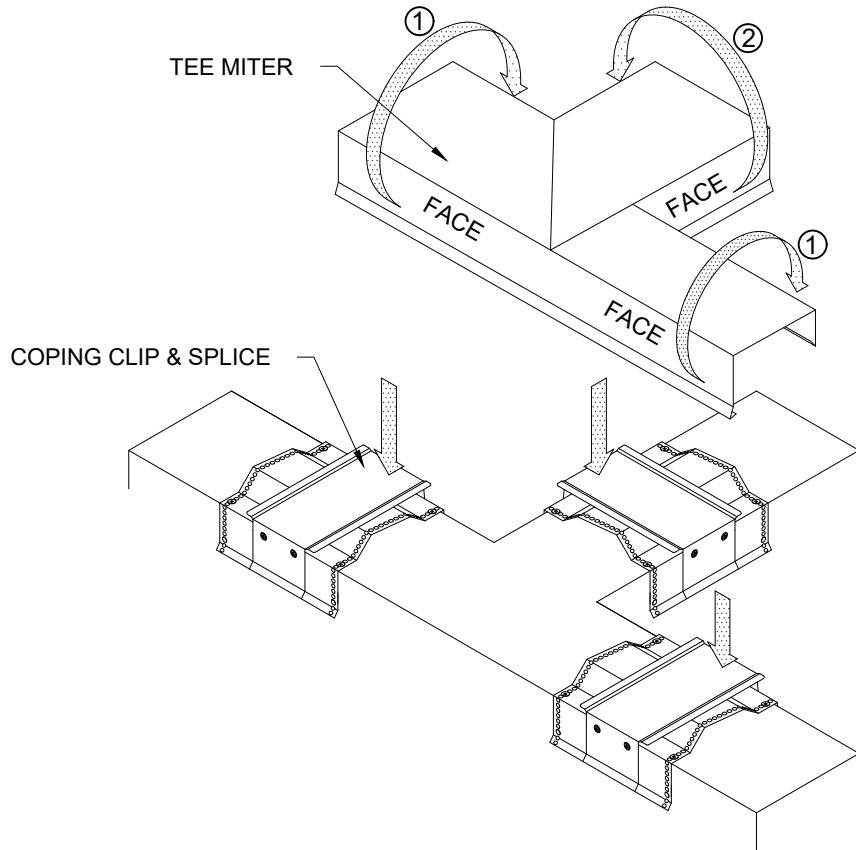


NOTE: ALL MITERS, END CONDITIONS, AND ACCESSORY CONDITIONS SHOULD BE INSTALLED PRIOR TO STRAIGHT SECTIONS

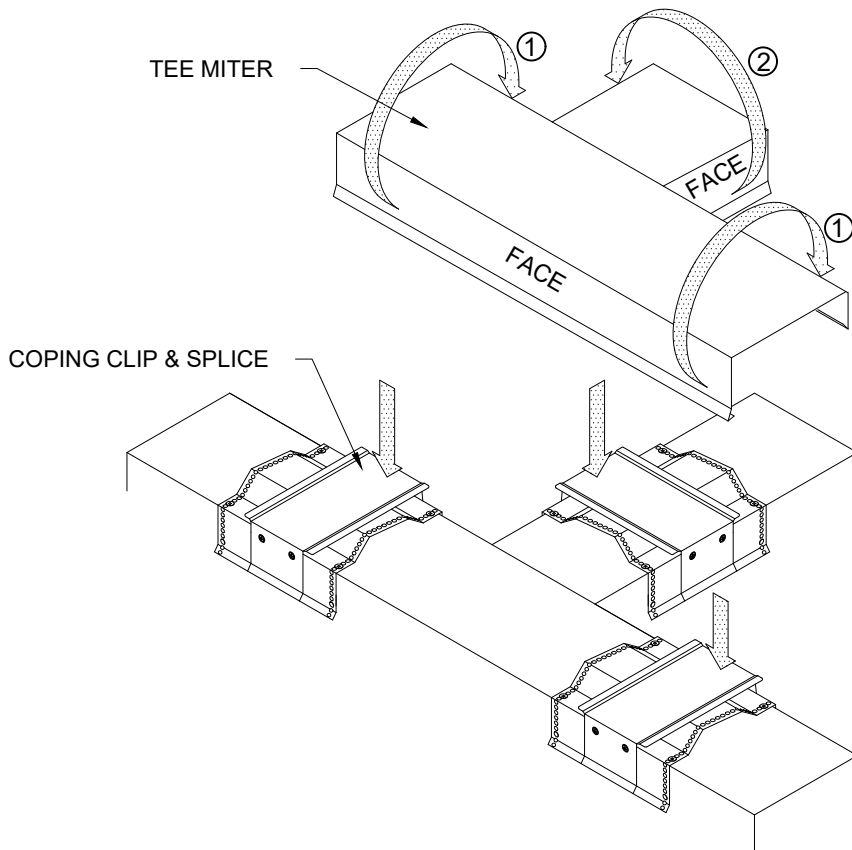


# TEE MITER CONDITIONS

LOCATE CENTER OF CLIP/SPLICES AT END OF EACH MITER LEG. HOOK ONTO FRONT OF COPING CLIPS WHICH ARE IN-LINE FIRST, ROTATE BACKWARD ONTO CLIP AND PUSH DOWNWARD TO ENGAGE CAP ONTO CLIP, THEN PROCEED WITH ADJACENT LEG.

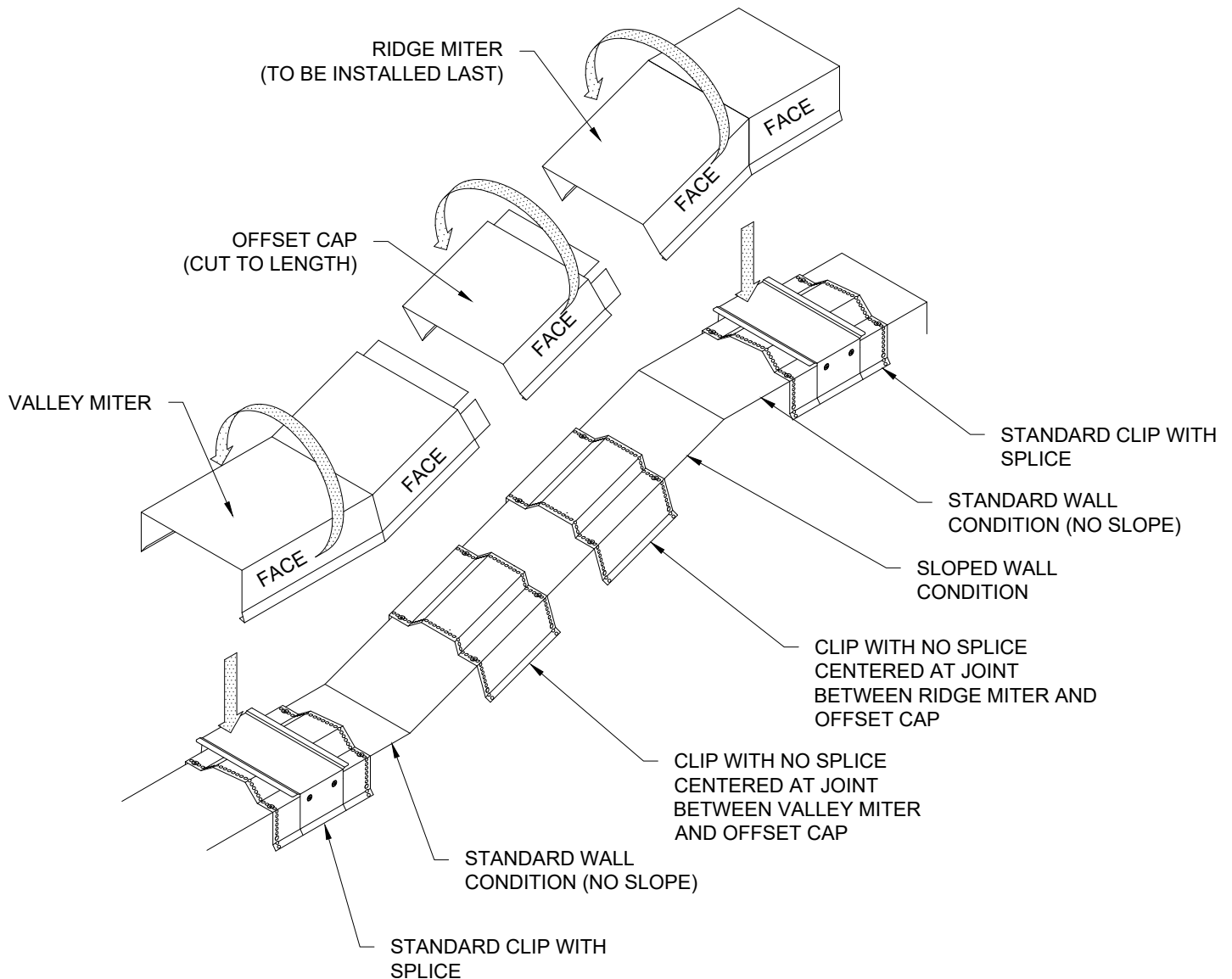


NOTE: ALL MITERS, END CONDITIONS, AND ACCESSORY CONDITIONS SHOULD BE INSTALLED PRIOR TO STRAIGHT SECTIONS



# RIDGE MITER CONDITIONS & VALLEY MITER CONDITIONS

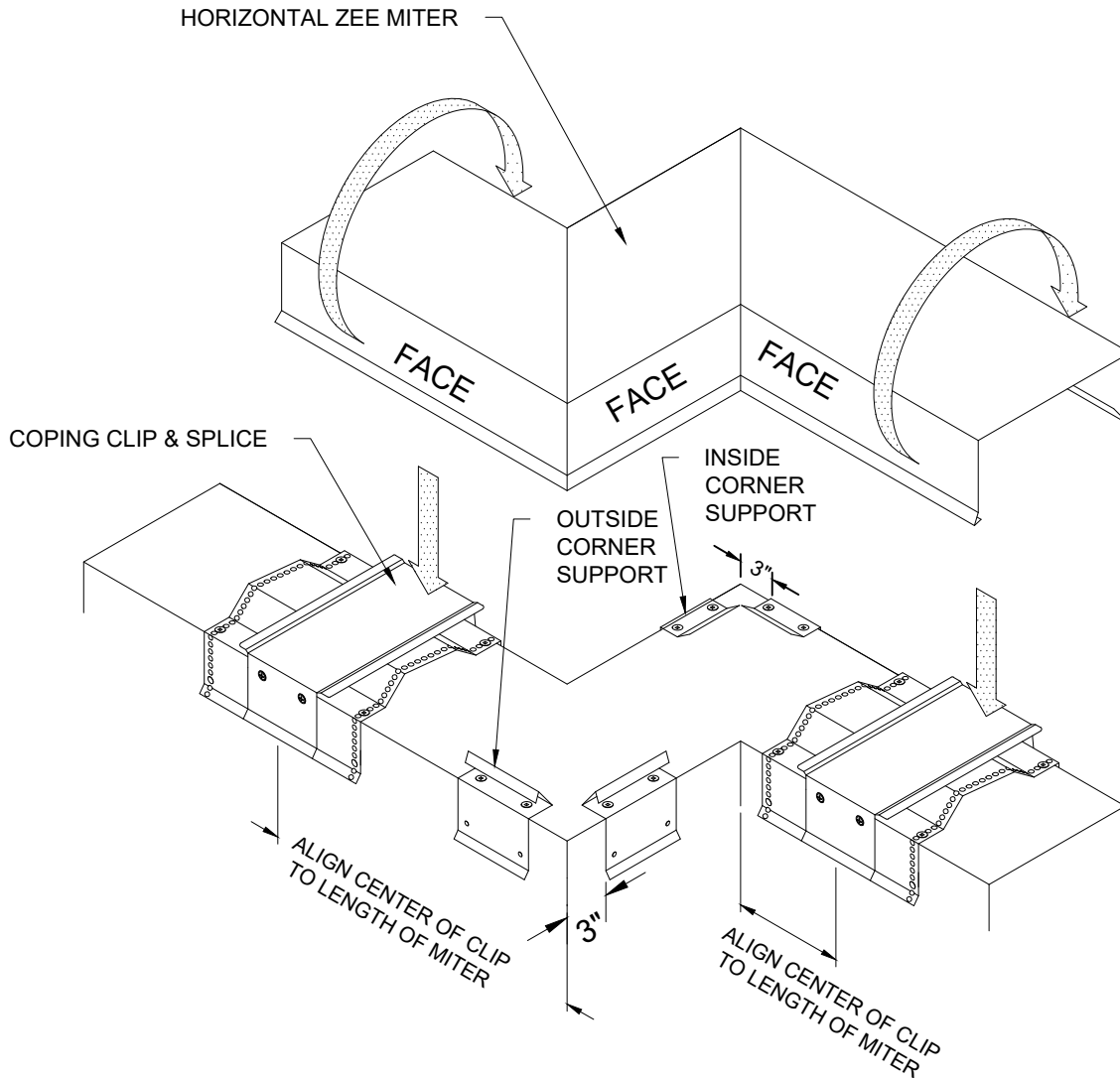
START BY INSTALLING END CONDITION ACCESSORIES (ENDCAPS AND ENDTERMS), CORNER MITERS AND VALLEY MITERS (RIDGE MITER WILL BE INSTALLED LAST). FOR VALLEY MITERS, LOCATE CLIPS AT JOINTS (NO SPLICE REQUIRED FOR SLOPED WALLS AS SHOWN BELOW). LOCATE RIDGE MITER NEXT, BE SURE TO LOCATE CENTER OF CLIPS TO ALIGN WITH END OF RIDGE MITER (NO SPLICE REQUIRED FOR SLOPED WALLS AS SHOWN BELOW). ADJUST OFFSET CAP LENGTHS (DO NOT CUT FROM OFFSET TAB SIDE) TO FIT IN BETWEEN MITER AND END CONDITIONS ON SLOPED WALLS. INSTALL RIDGE MITER AFTER ALL OTHER PARTS HAVE BEEN INSTALLED.



Clip Spacing = 36" On Center - for all sizes

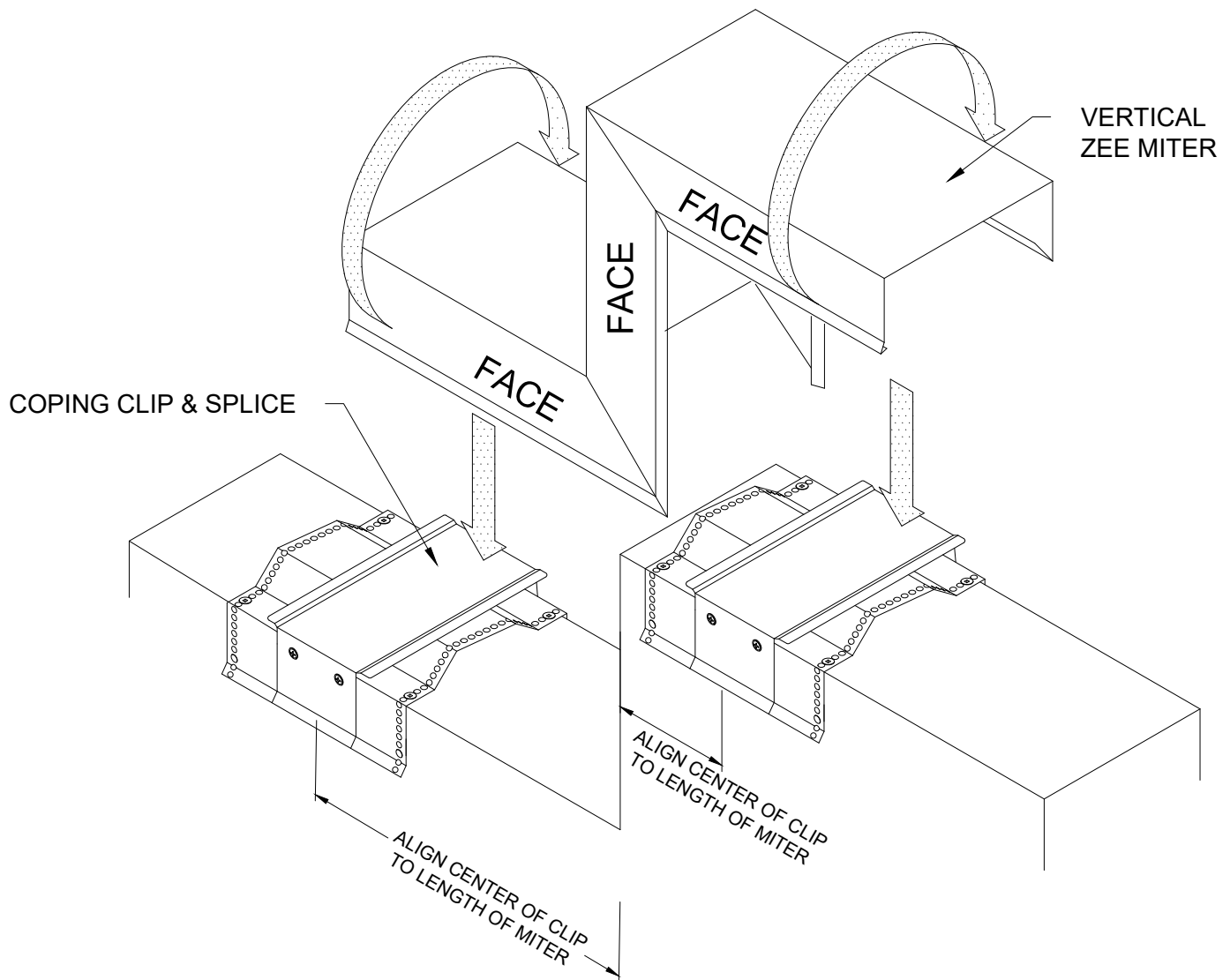
NOTE: ALL MITERS, END CONDITIONS, AND ACCESSORY CONDITIONS (OTHER THAN RIDGE MITER) SHOULD BE INSTALLED PRIOR TO STRAIGHT SECTIONS

LOCATE CORNER SUPPORTS AT OUTSIDE AND INSIDE CORNER LOCATIONS FIRST. NEXT, LOCATE CENTER OF CLIP/SPLICES AT END OF EACH MITER LEG. HOOK ONTO FRONT OF CORNER SUPPORT AND COPING CLIP, ROTATE BACKWARD ONTO CLIP AND PUSH DOWNWARD TO ENGAGE CAP ONTO CLIP, THEN PROCEED WITH ADJACENT LEG.



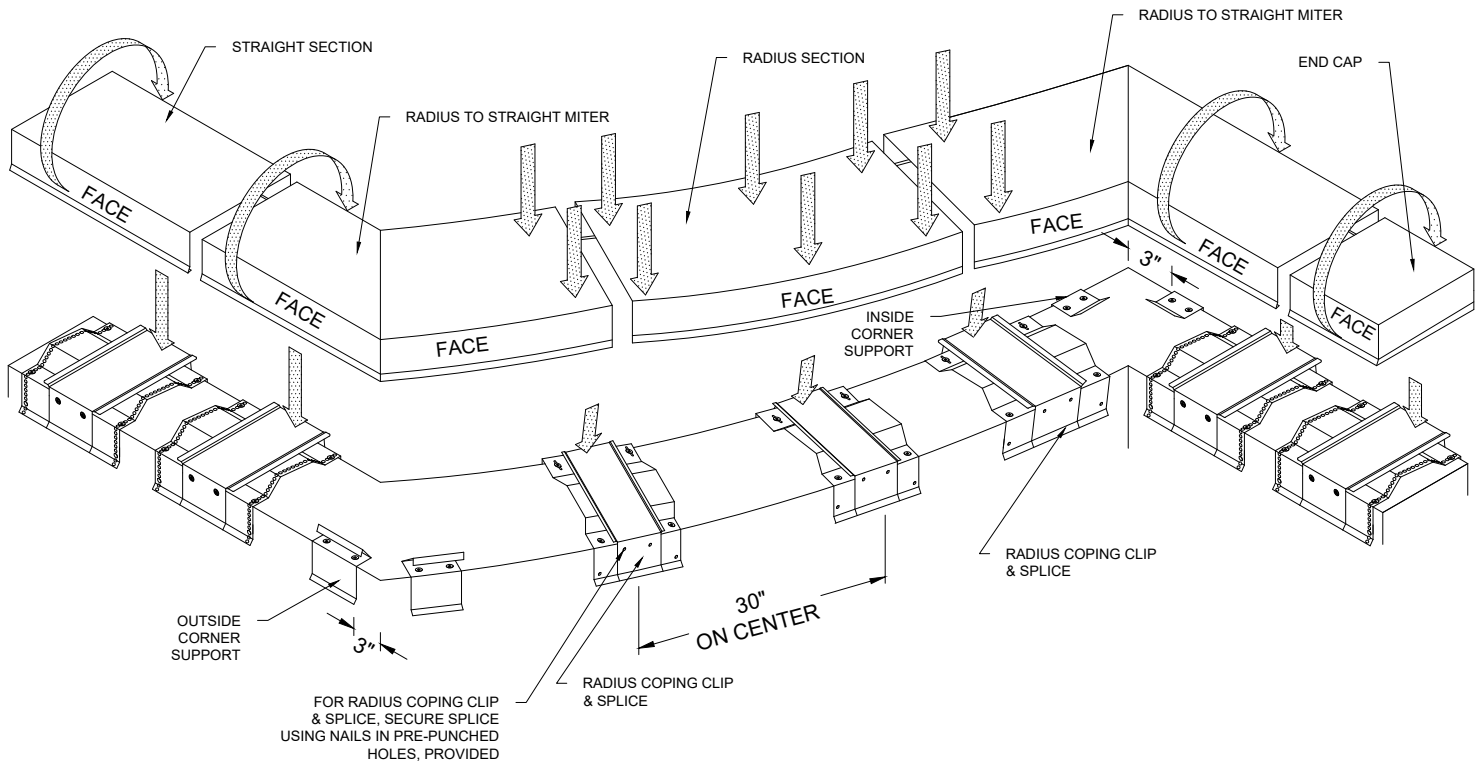
NOTE: ALL MITERS, END CONDITIONS, AND ACCESSORY CONDITIONS SHOULD BE INSTALLED PRIOR TO STRAIGHT SECTIONS

LOCATE CENTER OF CLIP/SPLICES AT END OF EACH MITER LEG. HOOK ONTO FRONT OF COPING CLIP, ROTATE BACKWARD ONTO CLIP AND PUSH DOWNWARD TO ENGAGE CAP ONTO CLIP, THEN PROCEED WITH ADJACENT LEG.



NOTE: ALL MITERS, END CONDITIONS, AND ACCESSORY CONDITIONS SHOULD BE INSTALLED PRIOR TO STRAIGHT SECTIONS

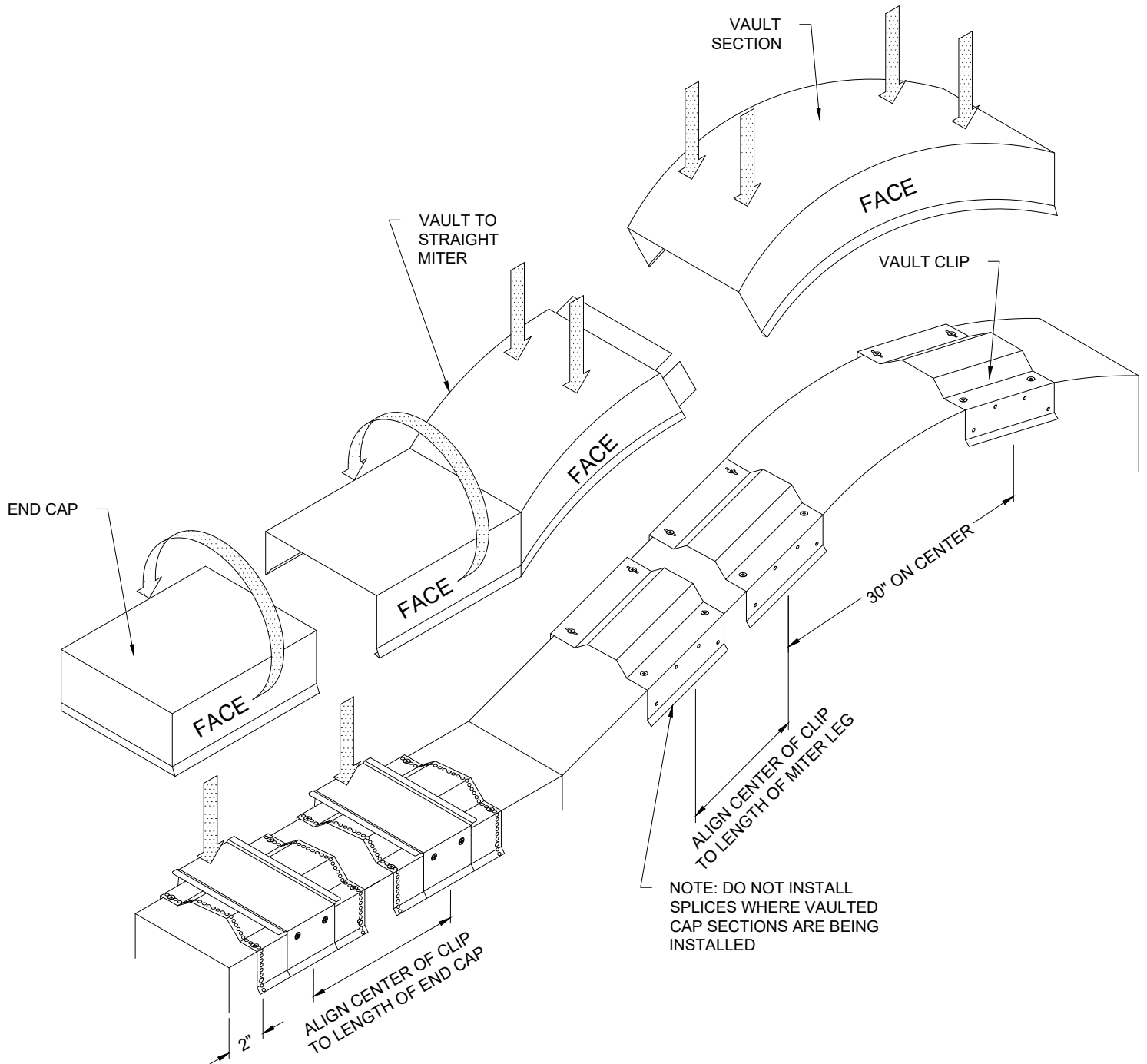
LOCATE CORNER SUPPORTS AT OUTSIDE AND INSIDE CORNER LOCATIONS FIRST. NEXT LOCATE CLIPS AT END LOCATIONS AS SHOWN IN STEP 5 (PAGE 5). PROCEED WITH LOCATING CENTER OF CLIP/SPLICES AT END OF EACH MITER LEG. HOOK ONTO FRONT OF CORNER SUPPORT AND COPING CLIP, ROTATE BACKWARD ONTO CLIP AND PUSH DOWNWARD TO ENGAGE CAP ONTO CLIP THEN PROCEED WITH ADJACENT LEG. FINALLY LOCATE ADDITIONAL CLIPS SPACED AT 30" ON CENTER FOR RADIUS SECTION (CUT AS NEEDED) SECURE CAP ONTO CLIPS BY PUSHING HOOKING AND ROTATING CAPS TO SECURE ONTO CLIPS.



Radius Clip Spacing = 30" On Center - for all sizes

NOTE: ALL MITERS, END CONDITIONS, AND ACCESSORY CONDITIONS SHOULD BE INSTALLED PRIOR TO STRAIGHT SECTIONS

LOCATE CENTER OF CLIPS AT END OF MITER LEGS FIRST. PROCEED WITH INSTALLING CLIPS PER STEP 5 (PAGE 5), HOOK CAP ROTATE BACKWARD ONTO CLIP AND PUSH DOWNWARD TO ENGAGE CAP ONTO CLIP. FINALLY LOCATE VAULT CLIPS AT 30" ON CENTER (NO SPLICES REQUIRED). SECURE CAP ONTO CLIPS BY HOOKING AND ROTATING CAPS TO SECURE ONTO CLIPS. ADJUST VAULT CAP LENGTHS (DO NOT CUT FROM OFFSET TAB SIDE) TO FIT IN BETWEEN MITER AND END CONDITIONS ON SLOPED WALLS. USING SPACING CHART FOR CLIPS AS SHOWN BELOW.



**Vault Clip Spacing = 30" On Center - for all sizes**

**NOTE: ALL MITERS, END CONDITIONS, AND ACCESSORY CONDITIONS SHOULD BE INSTALLED PRIOR TO STRAIGHT SECTIONS**







# End of Installation Guide SecurEdge CF Coping & SecurEdge CF Gold Coping

Please contact Manufacturer for assistance.