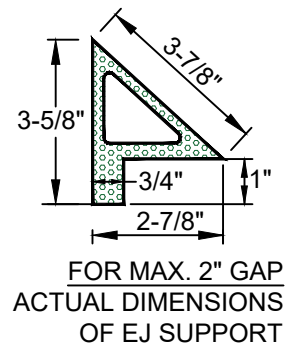
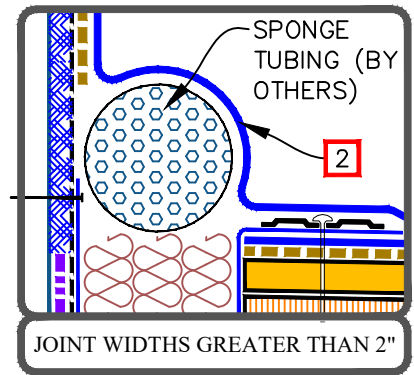


NOTES:

1. 1-1/2" MIN. HOT AIR WELD
2. MEMBRANE FLASHING SHALL NOT BE ADHERED OVER THE EXPANSION JOINT SUPPORT OR SPONGE TUBING.
3. THERMAL CUT IN IMP SKIN. CONTINUOUS ON INTERIOR SIDE.
4. 1/8" CUT-EDGE SEALANT FOR TPO ONLY.



DECK-TO-WALL EXPANSION JOINT -  
TPO/PVC/KEE HP

MAXIMUM WARRANTY: 20 YEARS



DETAIL NO.

CS-3.4

Cold Storage Details