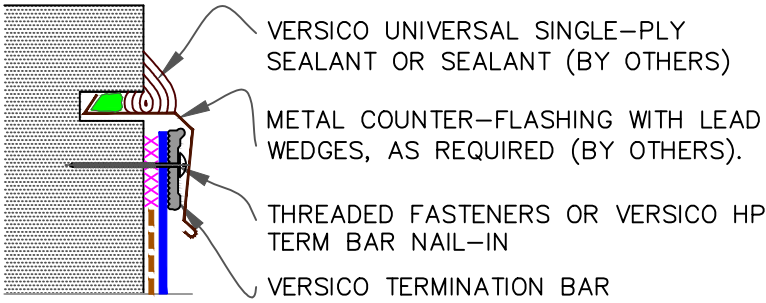
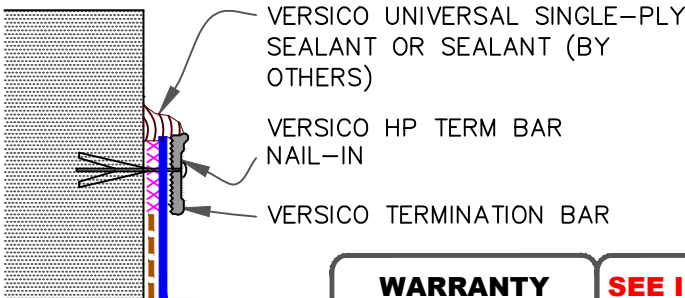


9A MECHANICAL TERMINATION WITH COUNTER FLASHING



WARRANTY UP TO 30 YEARS **SEE INSET A**

9B MECHANICAL TERMINATION



WARRANTY UP TO 20 YEARS **SEE INSET A**

INSET A

MAX. 1" (2.54cm)

MIN. 1/4" (1cm) MAX. 1/2" (1.5cm)

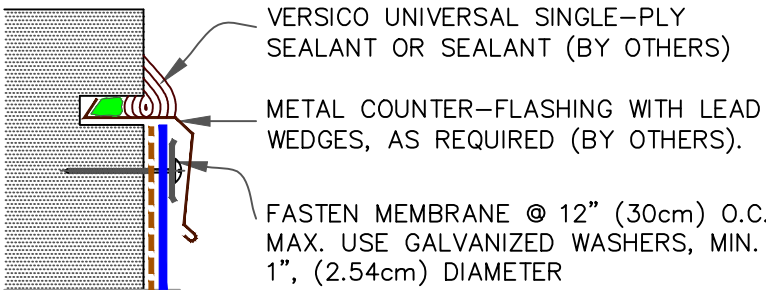
±1" (2.54cm)

CORNER

NOTES:

1. APPLY ON HARD SMOOTH SURFACE ONLY; NOT FOR USE ON EXPOSED WOOD.
2. DO NOT WRAP TERMINATION BAR AROUND CORNERS.
3. DETAIL [9D NEXT PAGE](#) MUST BE USED AT VERTICAL JOINTS IN PANEL WALLS.

9C COUNTER FLASHING TERMINATION



NOTE:

1. WHEN MECHANICAL FASTENERS ARE USED TO PENETRATE THE METAL COUNTER-FLASHING, USE EPDM WASHERS, APPLY WATER CUT-OFF MASTIC UNDER THE COUNTER-FLASHING OR CAULK THE FASTENER HEADS.

WARRANTY UP TO 10 YEARS

MAXIMUM WARRANTY: AS NOTED

--- APPLICABLE BONDING ADHESIVE

xxx WATER CUT-OFF MASTIC- MUST BE HELD UNDER CONSTANT COMPRESSION.



MEMBRANE TERMINATION
(PAGE 1 OF 3)

→ EPDM MEMBRANE

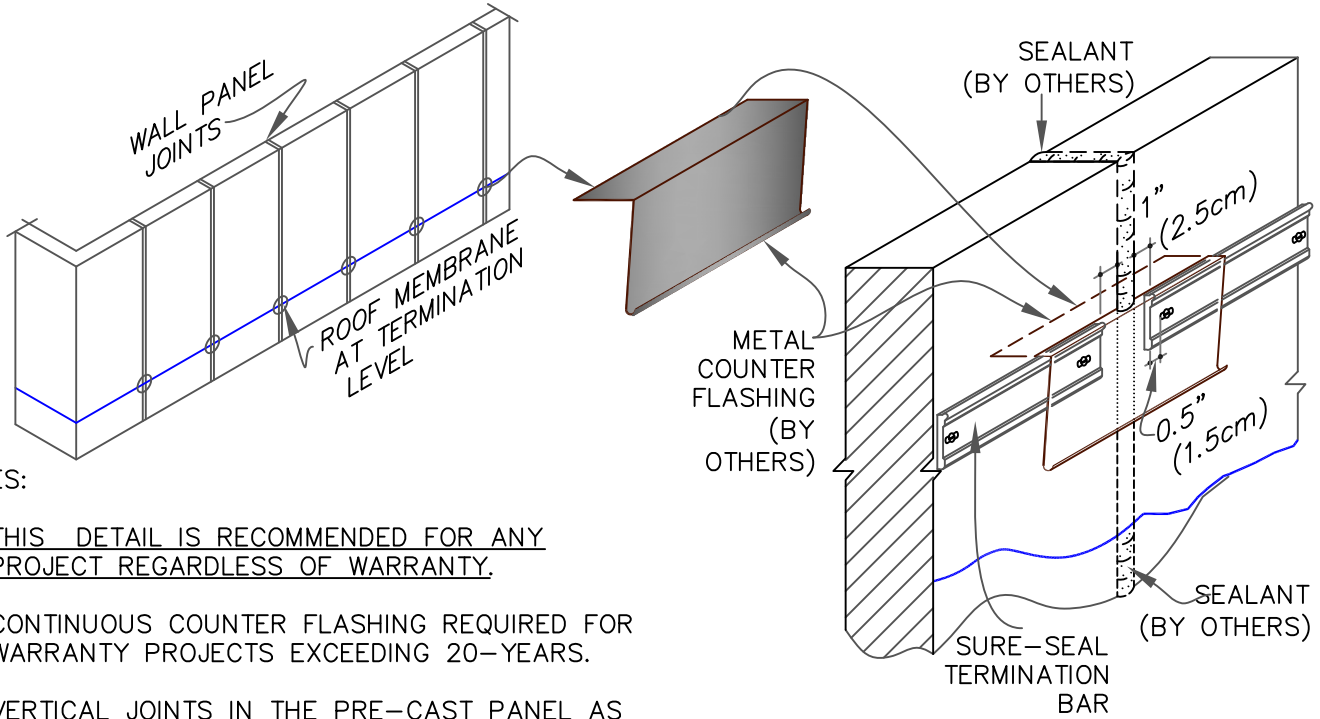
→ APPROVED SUBSTRATE

→ SEE NOTE(S)

VersiGard COMMON DETAILS (EPDM)

VGC-9.0A

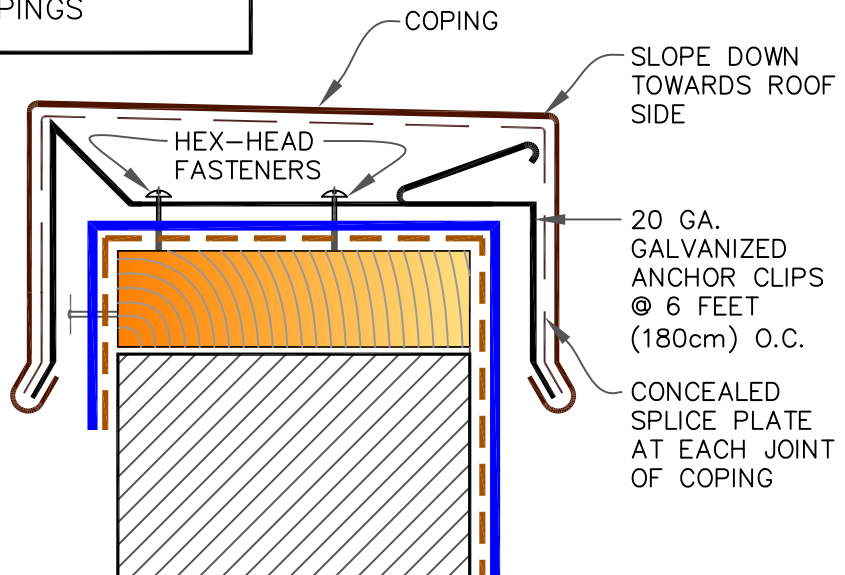
9D MECHANICAL TERMINATION AT VERTICAL JOINTS



NOTES:

1. THIS DETAIL IS RECOMMENDED FOR ANY PROJECT REGARDLESS OF WARRANTY.
2. CONTINUOUS COUNTER FLASHING REQUIRED FOR WARRANTY PROJECTS EXCEEDING 20-YEARS.
3. VERTICAL JOINTS IN THE PRE-CAST PANEL AS WELL AS ALL GAPS AT THE JUNCTION OF THE TILT-UP PANEL AND ROOF DECK MUST BE FULLY SEALED TO PREVENT AIR INFILTRATION.
4. APPLY ON HARD SMOOTH SURFACE ONLY.

9E VERSITRIM 200 & 300 COPINGS



NOTES:

1. MEMBRANE MUST BE EXTENDED AT CORNERS TO PROVIDE COMPLETE COVERAGE OF THE TOP WALL SURFACE. SEE [3D DETAIL 9F](#) ON [PAGE 3 OF 3](#).
2. REFER TO [VERSITRIM COPING INSTALLATION INSTRUCTION](#) MANUAL FOR STEP-BY-STEP INSTRUCTION PROCEDURES AND WARRANTY.

MAXIMUM WARRANTY: 30 YEARS

--- APPLICABLE BONDING ADHESIVE

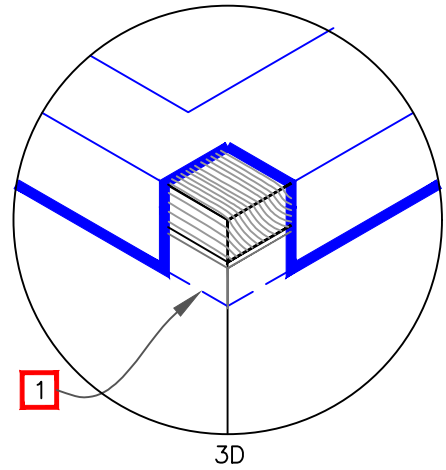
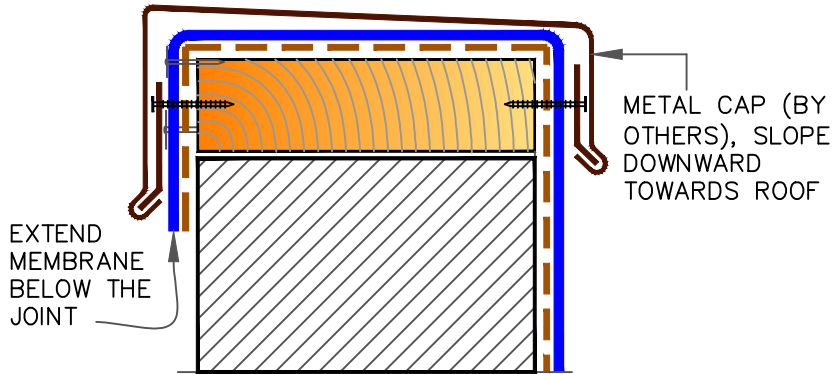


MEMBRANE TERMINATION
(PAGE 2 OF 3)

→ EPDM MEMBRANE
 → APPROVED SUBSTRATE
 → SEE NOTE(S)

VersiGard COMMON
 DETAILS (EPDM)
VGC-9.0B

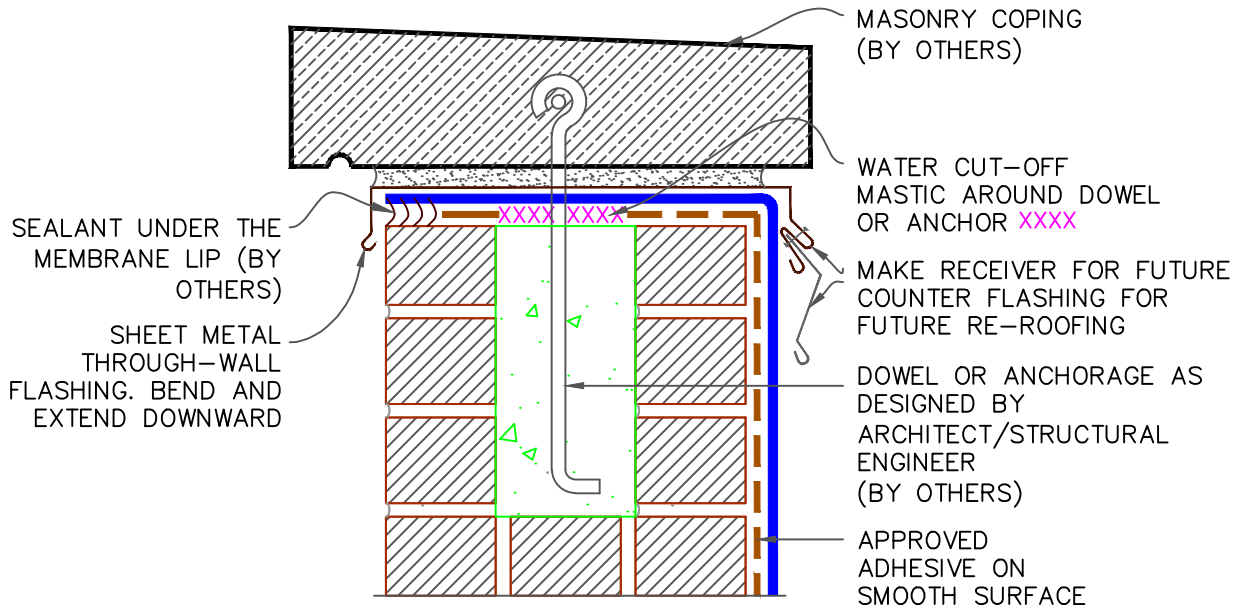
9F SHEET METAL COPING (BY OTHERS)



NOTES:

1. MEMBRANE MUST BE EXTENDED TO CORNERS TO PROVIDE COMPLETE COVERAGE OF THE TOP WALL SURFACE.
2. WARRANTY AS PROVIDED (BY OTHERS)

9G MASONRY COPINGS (BY OTHERS)



MAXIMUM WARRANTY: 30 YEARS

--- APPLICABLE BONDING ADHESIVE

XXXX WATER CUT-OFF MASTIC- MUST BE HELD UNDER CONSTANT COMPRESSION.

MAXIMUM WARRANTY: 30 YEARS



MEMBRANE TERMINATION
(PAGE 3 OF 3)

- EPDM MEMBRANE
- APPROVED SUBSTRATE
- 0 → SEE NOTE(S)

VersiGard COMMON DETAILS (EPDM)
VGC-9.0C