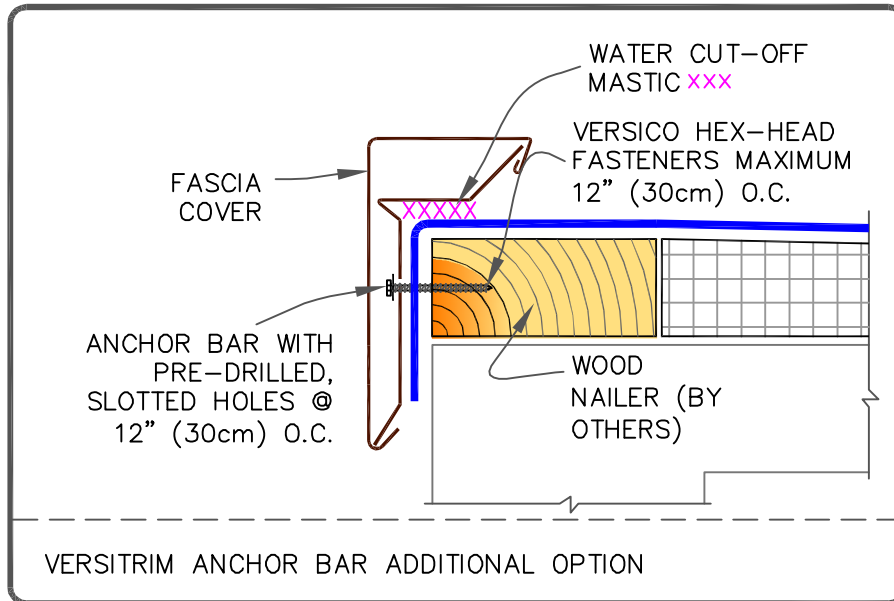


VERSITRIM EX SNAP-ON FASCIA

NOTES:

1. REFER TO [VERSITRIM INSTALLATION INSTRUCTION MANUAL](#) FOR THE STEP BY STEP INSTALLATION PROCEDURES AND FOR THE VARIOUS PRODUCT FEATURES AVAILABLE.
2. IF INCIDENTAL/TEMPORARY PONDED WATER IS EXPECTED, THE VERSITRIM MUST BE ELEVATED AND SCUPPERS PROVIDED FOR DRAINAGE.
3. ENSURE ROOF SLOPES AWAY FROM VERSITRIM.



VERSITRIM SNAP-ON FASCIA



VERSITRIM EX SNAP-ON FASCIA & VERSITRIM SNAP-ON FASCIA
 MAXIMUM WARRANTY: 30 YEARS

	TPO MEMBRANE	PS (PRESSURE SENSITIVE)
	APPROVED SUBSTRATE	P&S (PEEL & STICK)
	SEE NOTE	QA (QUICK APPLIED)

THERMOPLASTIC ROOFING SYSTEM
 TPC-1.6