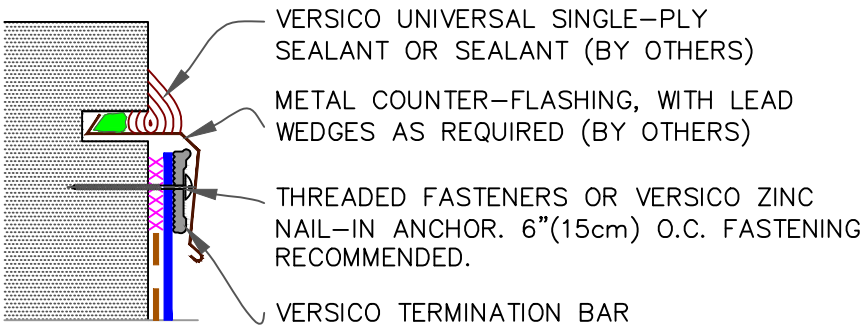
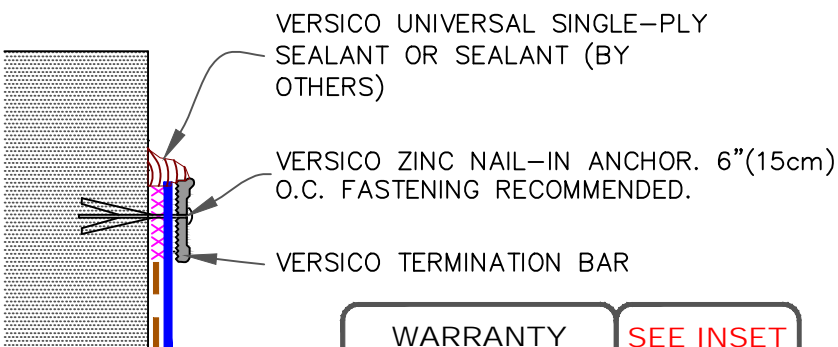


9.1 MECHANICAL TERMINATION WITH COUNTER FLASHING



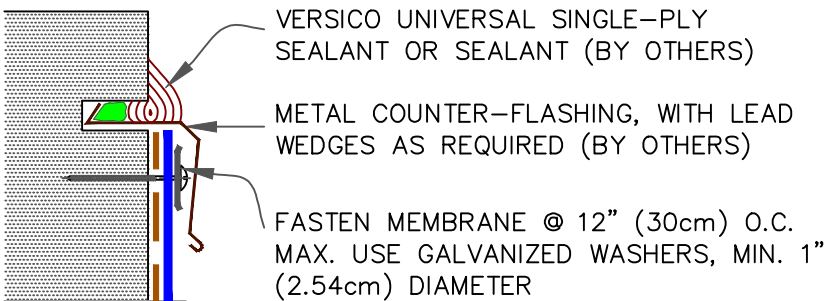
WARRANTY UP TO 30 YEARS SEE INSET A

9.2 MECHANICAL TERMINATION



WARRANTY UP TO 20 YEARS SEE INSET A

9.3 COUNTER FLASHING TERMINATION



WARRANTY UP TO 10 YEARS

INSET A

NOTES:

1. APPLY ON HARD SMOOTH SURFACE ONLY; NOT FOR USE ON EXPOSED WOOD.
2. DO NOT WRAP TERMINATION BAR AROUND CORNERS.
3. DETAIL 9.4 MUST BE USED AT VERTICAL JOINTS IN PANEL WALLS.

NOTE:

1. WHEN MECHANICAL FASTENERS ARE USED TO PENETRATE THE METAL COUNTER-FLASHING, USE EPDM WASHERS, APPLY WATER CUT-OFF MASTIC UNDER THE COUNTER-FLASHING OR SEAL THE FASTENER HEADS.

— — — APPLICABLE BONDING ADHESIVE

xxx WATER CUT-OFF MASTIC— MUST BE HELD UNDER CONSTANT COMPRESSION.

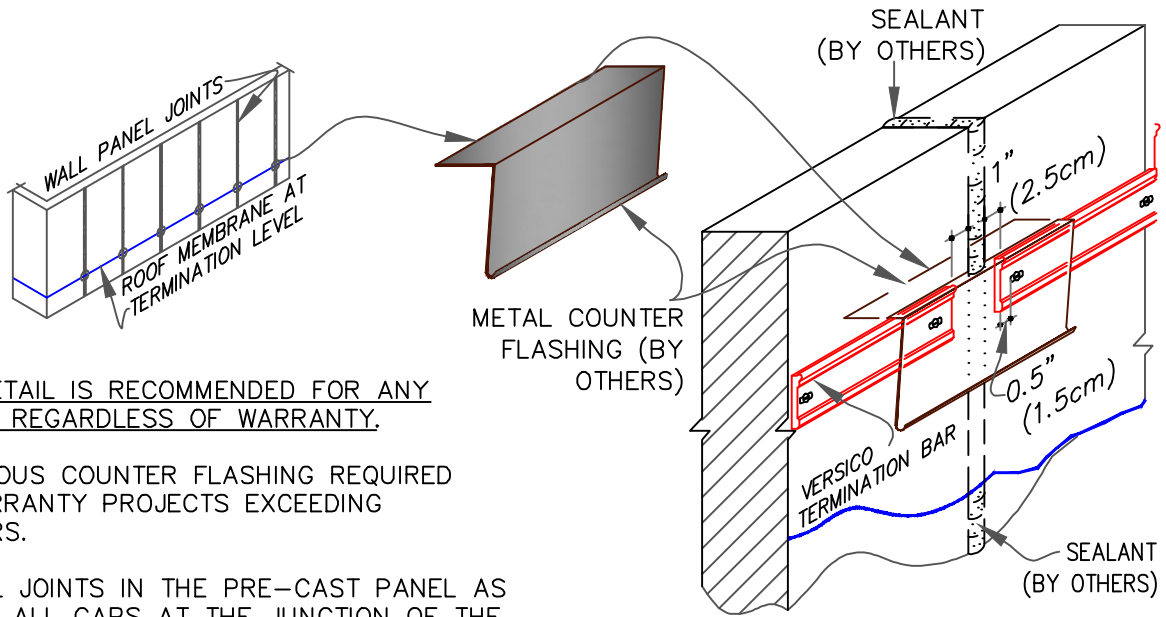


MEMBRANE TERMINATIONS, PAGE 1 OF 3
WARRANTY AS NOTES FOR EACH DETAIL

— → TPO MEMBRANE
 → APPROVED SUBSTRATE
0 → SEE NOTE
 PS (PRESSURE SENSITIVE)
 P&S (PEEL & STICK)
 QA (QUICK APPLIED)

THERMOPLASTIC ROOFING SYSTEM
TPC-9

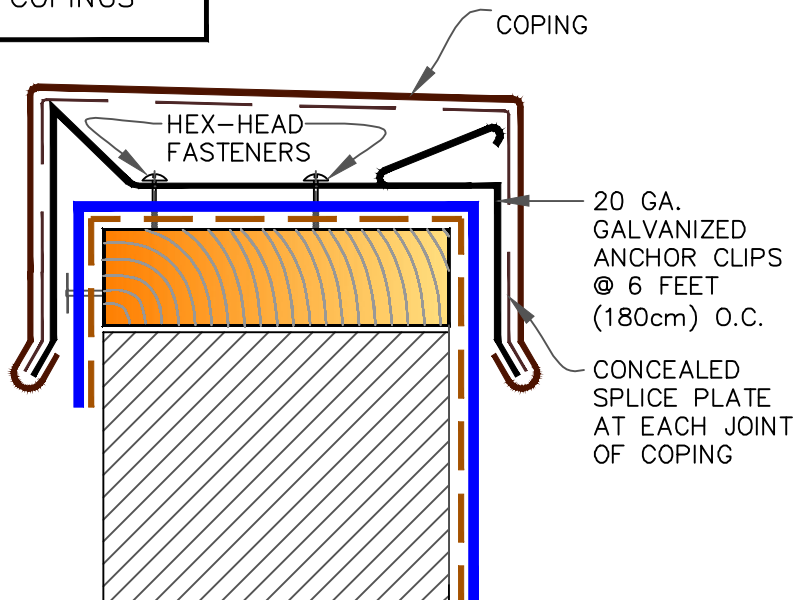
9.4 MECHANICAL TERMINATION AT VERTICAL JOINTS



NOTES:

1. THIS DETAIL IS RECOMMENDED FOR ANY PROJECT REGARDLESS OF WARRANTY.
2. CONTINUOUS COUNTER FLASHING REQUIRED FOR WARRANTY PROJECTS EXCEEDING 20-YEARS.
3. VERTICAL JOINTS IN THE PRE-CAST PANEL AS WELL AS ALL GAPS AT THE JUNCTION OF THE TILT-UP PANEL AND ROOF DECK MUST BE FULLY SEALED TO PREVENT AIR INFILTRATION.
4. APPLY ON HARD SMOOTH SURFACE ONLY.

9.5 VERSITRIM & VERSITRIM 300 COPINGS



NOTES:

1. MEMBRANE MUST BE EXTENDED AT CORNERS TO PROVIDE COMPLETE COVERAGE OF THE TOP WALL SURFACE. REFER TO [3D DETAIL](#) ON [DETAIL U-9.6](#).
2. REFER TO [VERSITRIM COPING INSTALLATION INSTRUCTION MANUAL](#) FOR STEP-BY-STEP INSTRUCTION PROCEDURES.

— APPLICABLE BONDING ADHESIVE

xxx WATER CUT-OFF MASTIC— MUST BE HELD UNDER CONSTANT COMPRESSION.

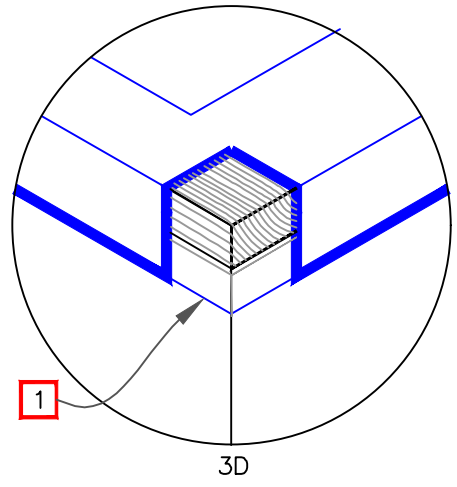
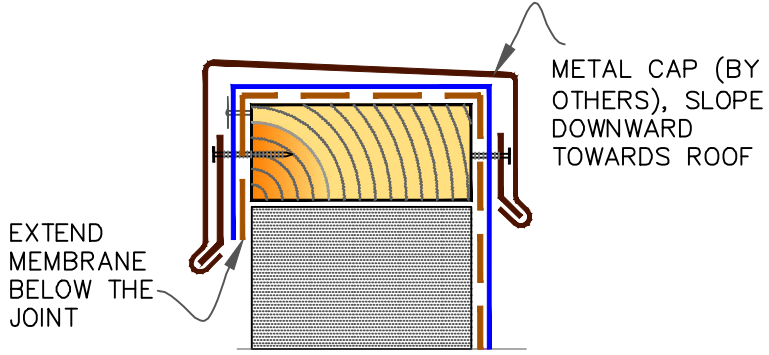


MEMBRANE TERMINATIONS,
PAGE 2 OF 3
WARRANTY AS NOTES FOR EACH DETAIL

— TPO MEMBRANE
 [Grid] APPROVED SUBSTRATE
 [0] SEE NOTE
 PS (PRESSURE SENSITIVE)
 P&S (PEEL & STICK)
 QA (QUICK APPLIED)

THERMOPLASTIC ROOFING SYSTEM
 TPC-9

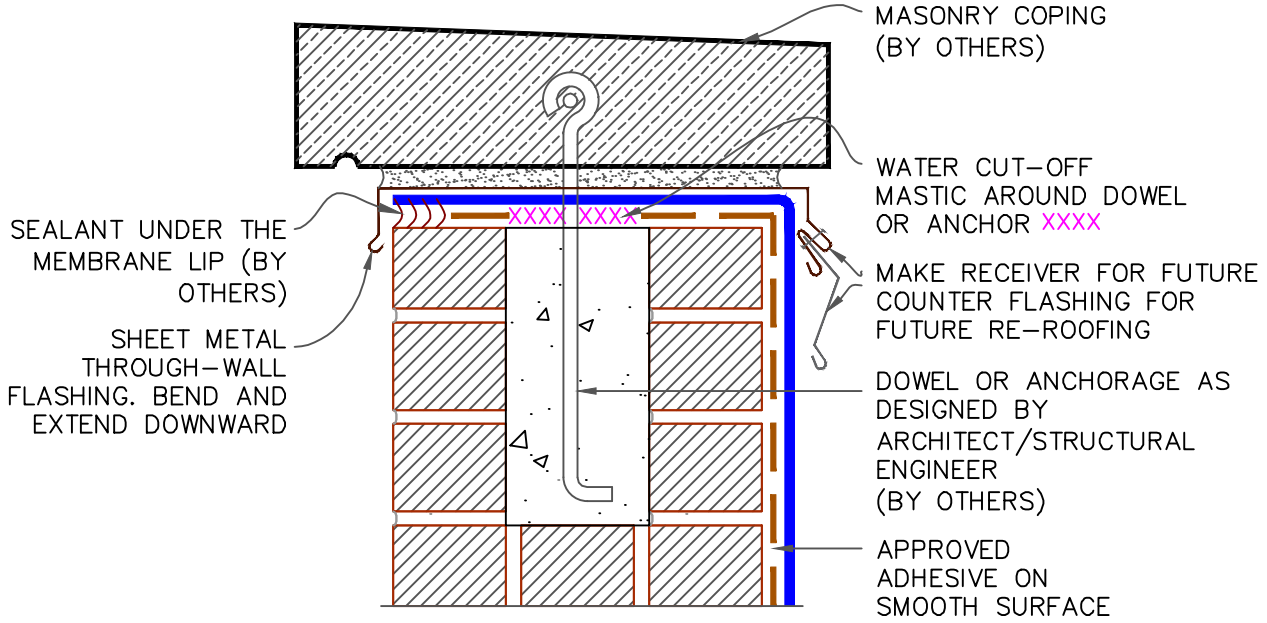
9.6 SHEET METAL COPING (BY OTHERS)



NOTES:

- MEMBRANE MUST BE EXTENDED TO CORNERS TO PROVIDE COMPLETE COVERAGE OF THE TOP WALL SURFACE.
- WARRANTY AS PROVIDED (BY OTHERS).

9.7 MASONRY COPINGS (BY OTHERS)



— — — — — APPLICABLE BONDING ADHESIVE

xxx WATER CUT-OFF MASTIC— MUST BE HELD UNDER CONSTANT COMPRESSION.



MEMBRANE TERMINATIONS, PAGE 3 OF 3

MAXIMUM WARRANTY: 30 YEARS

TPO MEMBRANE
 APPROVED SUBSTRATE
 SEE NOTE

PS (PRESSURE SENSITIVE)
 P&S (PEEL & STICK)
 QA (QUICK APPLIED)

THERMOPLASTIC ROOFING SYSTEM

TPC-9