

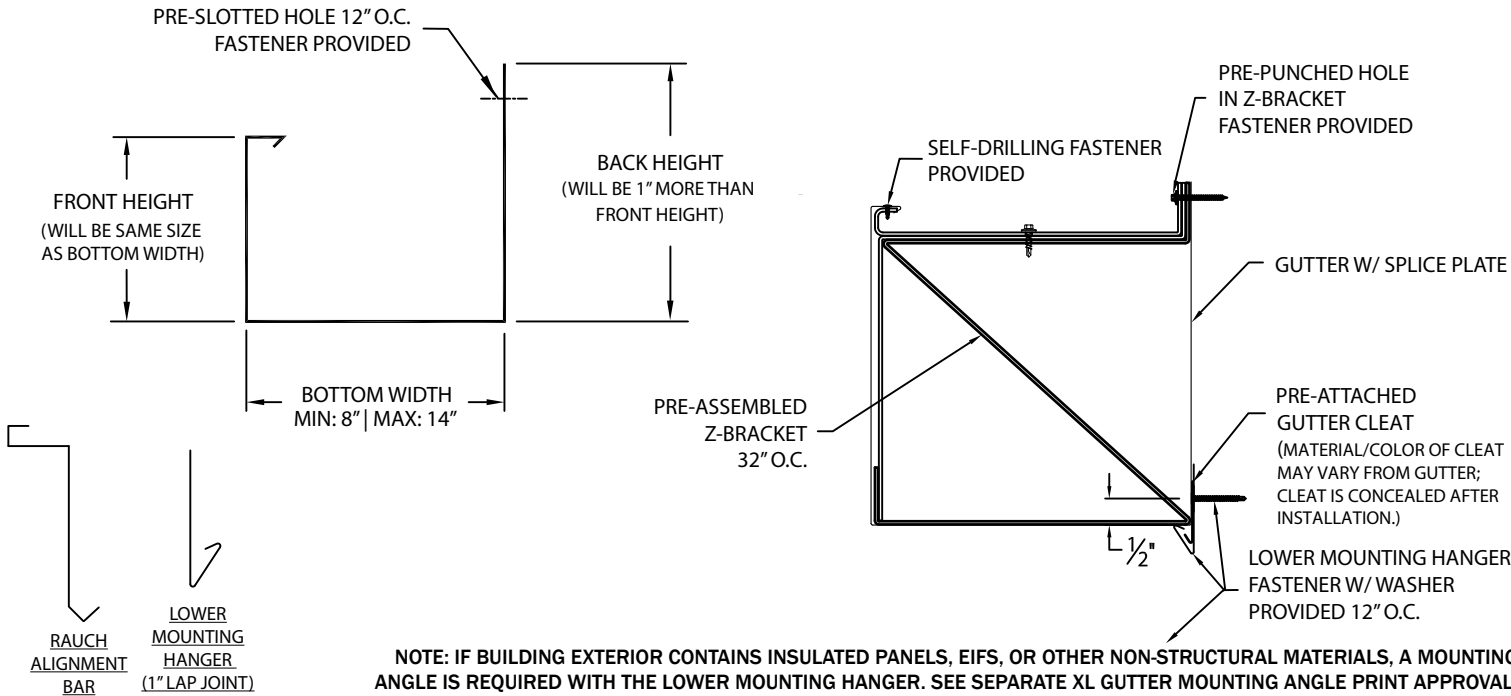


VERSITRIM XL GUTTER

BOX

*NOTES

- Not available in 24 ga. galv. steel or .040" aluminum
- Splice plates and pop rivets provided
- Gutter cannot be cantilevered
- Maximum downspout dimension not to exceed bottom width minus 1-9/16"
- Pre-attached gutter cleat and lower mounting hanger are made out of the same material as the gutter
- Unless otherwise noted, fabrication of miters and accessories are provided with a non-penetrating quicklock joint, then factory sealed watertight
- Welded accessories require minimum material thickness of .050 aluminum.
- For non-90 miters, see separate print approval
- Product should be installed per provided installation instructions
- ANSI/SPRI/GT-1 test pressures up to 266 psf (Horizontal), 291 psf (Vertical), 175 plf (Downward)



APPROVALS*

ANSI/SPRI/GT-1
Test Pressures listed in notes



PROJECT INFO

Project Name: _____

Architect: _____

Roofing Contractor: _____

Project Type:

By selecting this box you have verified and confirmed that dimensions, sizes, and quantities are correct. All products will be installed in strict accordance with printed instructions.

Date: _____

Customer Service
800-558-2162
(Metal-Era)

SHT #: _____ of _____

DATE: **04/20/26**

DRN BY : **MLM**

CKD BY : **MM**

DWG # : **18012-43853**

REV: **C**

DIMENSIONS

| SELECT SIZE | FRONT HEIGHT | BOTTOM WIDTH | BACK HEIGHT |
|-------------|--------------|--------------|-------------|
| | 8" | 8" | 9" |
| | 10" | 10" | 11" |
| | 12" | 12" | 13" |
| | 14" | 14" | 15" |

MATERIAL

- 22 Ga. Galv. Steel Color: _____
- .050" Aluminum Finish: _____
- .063" Aluminum Substrate:
- If substrate is not given, wood fasteners will be provided.
- Wood
- Masonry
- Metal

QUANTITIES

_____ Lineal Feet (12'-0" Lengths)

_____ Outside Miter (90°)

_____ Inside Miter (90°)

_____ Right Endcaps

_____ Left Endcaps

Accessory Type*: Quicklock (Default) Welded (Surcharge)

_____ Expansion Joints (Style 1)

_____ Expansion Joints (Style 2)