

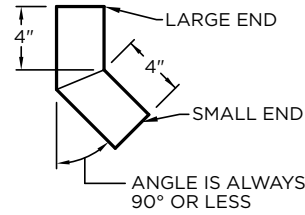
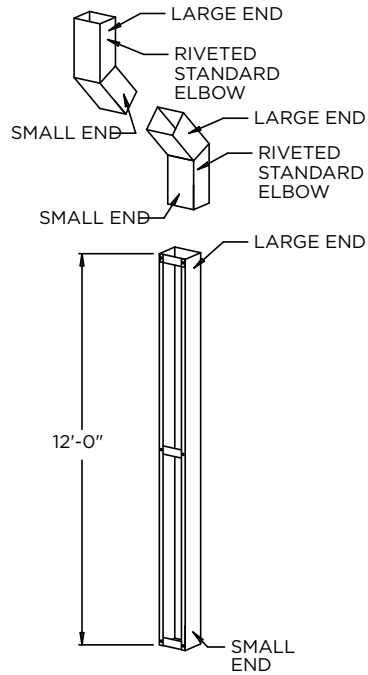
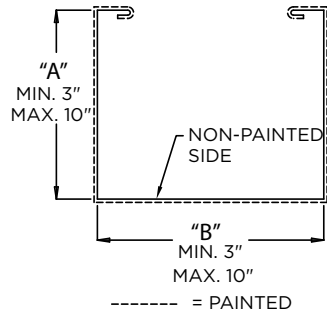


# VERSITRIM INDUSTRIAL DOWNSPOUT

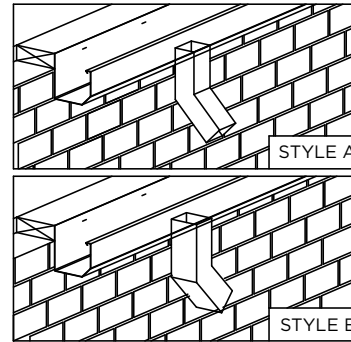
OPEN FACE

## NOTES

- Downspout should be 9/16" smaller than the bottom of the gutter
- Outlet should be 1/8" smaller than the size of the downspout
- Product should be installed per provided installation instructions

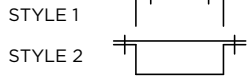


STANDARD ELBOW



### DOWNSPOUT STRAPS

(SELECT STYLE BELOW, IF STYLE IS NOT SELECTED STYLE 2 WILL BE PROVIDED)



## DIMENSIONS

Downspout Size \_\_\_\_\_ x \_\_\_\_\_  
"A" "B"

## MATERIAL

- 24 Ga. Galv. Steel
- 22 Ga. Galv. Steel
- .040" Aluminum
- .050" Aluminum
- .063" Aluminum
- OTHER: \_\_\_\_\_

Color: \_\_\_\_\_  
Finish: \_\_\_\_\_

## QUANTITIES

\_\_\_\_\_ Lineal Feet (12'-0" Lengths)

\_\_\_\_\_ Outlets

\_\_\_\_\_ Standard Elbows (\_\_\_\_°)  Style A  Style B

\_\_\_\_\_ Standard Elbows (\_\_\_\_°)  Style A  Style B

Downspout Straps  Style 1  Style 2

## PROJECT INFO

Project Name: \_\_\_\_\_

Architect: \_\_\_\_\_

Roofing Contractor: \_\_\_\_\_

### Project Type:

By selecting this box you have verified and confirmed that dimensions, sizes, and quantities are correct. All products will be installed in strict accordance with printed instructions.

Date: \_\_\_\_\_

Customer Service  
800-558-2162  
(Metal-Era)

SHT #: \_\_\_\_\_ of \_\_\_\_\_

DATE: **09/19/24**

DRN BY: **JJC**

CKD BY: **MM**

DWG #: **18013-2071**

REV: **H**