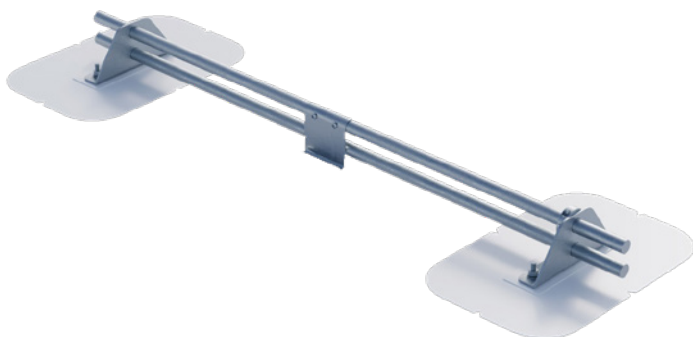


ANCHOR PRODUCTS® SNOW RETENTION KIT

The Anchor Products Snow Retention System is designed for use with Versico's single-ply roofing systems, providing a reliable, tested solution with exceptional strength. The system attaches to the roof using U3400 rooftop anchors fastened into the building's structure. Snow Retention Kits include a range of prefabricated components such as brackets, pipes, end caps, end collars, snow restrictors, and all necessary hardware for assembly and attachment to the U-Anchors®.

This installation guide is intended for use by experienced Certified Contractors. Each project must follow its specific specifications and engineering requirements to ensure proper securement and safety.

Warning: Snow Retention System installations are typically performed on higher-sloped single-ply roofs, which can be slippery. Always prioritize safety; ensure installers use proper fall protection and are tied off appropriately to prevent injury.

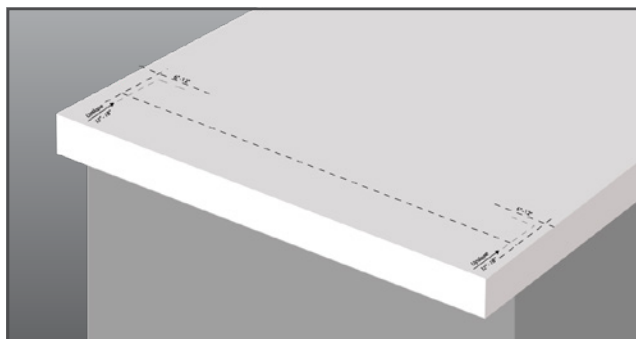


Snow Retention Kit

Note: Step 1 of this installation guide may be superseded by any predetermined positioning specified in the project installation details. Please refer to the project drawings for exact placement requirements.

Step 1: Determine the Location of the Snow Retention System

Determine the location of the Snow Fence by measuring 12" to 18" upslope from the outside of the exterior structural load-bearing wall at the eave on both ends of the roof. Mark the first row using a chalk line to maintain a straight line (do not use red chalk as it may stain the roof).

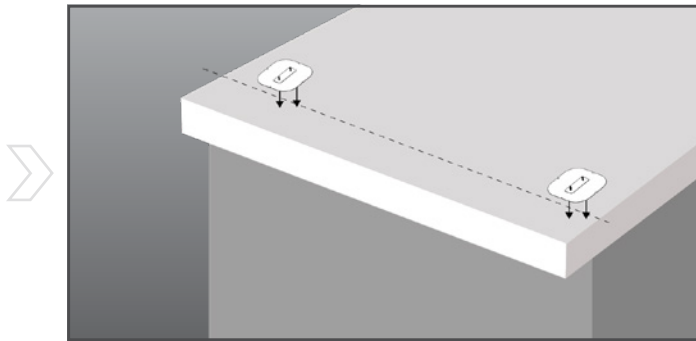


ANCHOR PRODUCTS SNOW RETENTION KIT

Step 2: Align and Install the First and Last U3400 Anchors

Align the first and last U-Anchors of the run on the chalk line 6" to 12" from the rake edge. Fence cannot cantilever more than 12" beyond the mounting brackets.

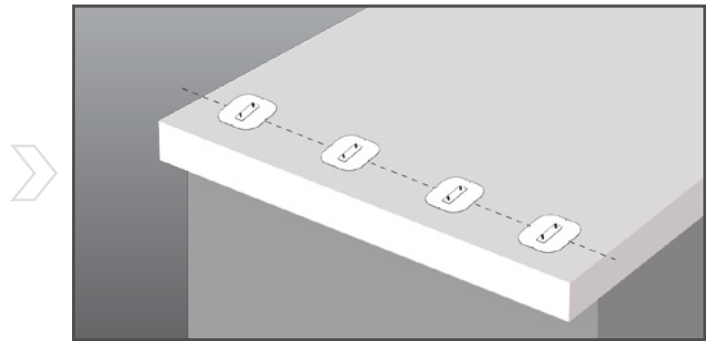
Note: Each snow retention run is limited to a maximum length of 100 feet. If the required run length exceeds this limit, it should be divided into multiple runs installed along the same alignment. This helps prevent damage caused by thermal expansion and contraction in longer runs.



Step 3: Install the Remaining U3400 Anchors

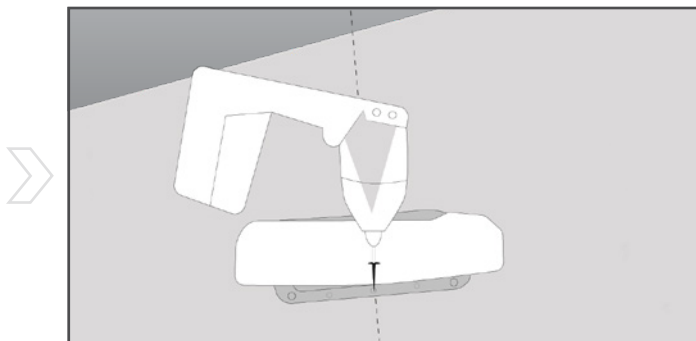
Evenly space the remaining U-Anchors on the chalk line, not exceeding the design maximum spacing.

Confirm proper alignment by temporarily inserting the snow retention pipes into the mounting brackets and positioning the brackets onto the U-Anchor bolts. Once alignment is verified, remove the bracket assembly and complete the U-Anchor installation in accordance with the applicable Versico Anchor Products U3400 Installation Guide.



Step 2a

Once aligned, fasten the U-Anchors over the roofing membrane to the deck using the specified type and quantity of fasteners as per design requirements. Follow the applicable Versico Anchor Products U3400 Installation Guide for proper installation procedures.

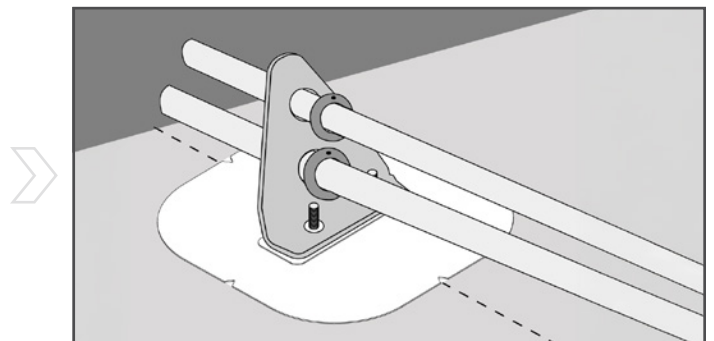


Step 4: Begin Installation of Pipes

Once all U-Anchors are properly installed, slide the correct number of mounting brackets onto the first 8' section of top and bottom pipes. On the inside of the first bracket, a pipe and collar should be placed on both the top and bottom pipes and left loose at this stage.

Note: A collar will only be used on the inside of the first and last bracket of a 100' or less assembly.

Place the pre-assembled 8' section of pipe and mounting brackets onto the bolts of the U3400 Anchors installed in Step 3 and loosely fasten by using the supplied washers and flange nuts.

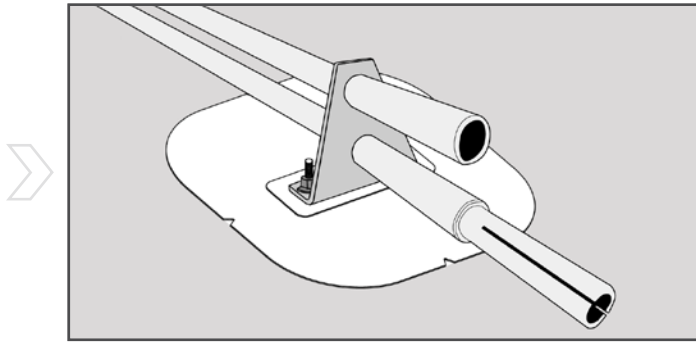


ANCHOR PRODUCTS SNOW RETENTION KIT

Step 5: Continue Installation Using Splices and Additional Pipes

Insert a provided splice into the end of each pipe, tap the splice into the pipe approximately 3" and repeat the step for each 8' section of assembly, connecting the pipe with the splice and running the pipes through the required mounting brackets and loosely attaching the bracket to the U-Anchor bolts using the supplied washer and flange nuts.

Repeat the process until the end of the Snow Fence run. Splices must NOT be within 6" of a bracket. Prior to the installation of the last bracket, place a collar on the top and bottom pipe.



Step 6: Securely Fasten the Mounting Brackets to the U-Anchors

Securely fasten the mounting brackets to the U-Anchors, torquing the flange nuts to approximately 20 to 25 foot pounds each.

Step 7: Position and Fasten Collars and Install End Caps

Position the collars approximately 1" to 2" from the inside edge of the first and last bracket of the run and tighten the set screw. Insert the end caps into the open ends of both the top and bottom pipes.

