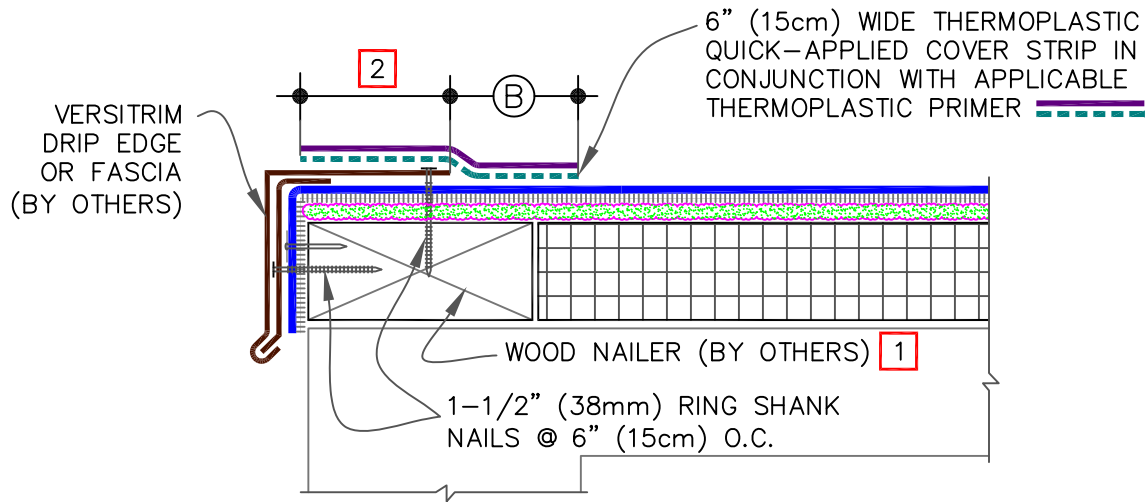


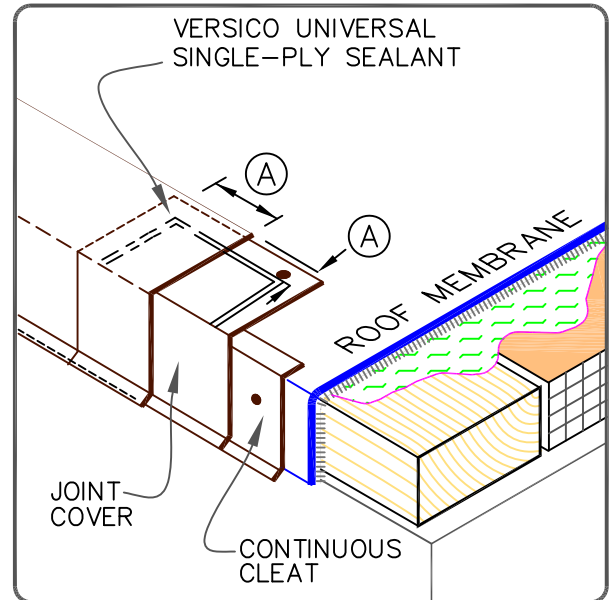
CAUTION DETAIL NOT FOR USE ON 25 & 30-YEAR WARRANTY PROJECTS. ACCEPTABLE EDGING SHALL CONFORM WITH THERMOPLASTIC VERSIFLEECE VF-1.2, 1.3, 1.4, 1.5 OR 1.6.



DIMENSIONS		cm	
(A)	1/2"	1.5	TO
	1"	2.5	
(B)	2"	5	MIN.

NOTES:

- WOOD NAILER MUST EXTEND PAST TOTAL WIDTH OF METAL FASCIA DECK FLANGE.
- METAL FASCIA DECK FLANGE MUST BE TOTALLY COVERED BY QUICK-APPLIED COVER STRIP WITH MINIMUM 2" (5cm) COVERAGE PAST NAIL HEADS.
- TO REMOVE FINISHING OILS, SCRUB METAL FLANGE WITH WEATHERED MEMBRANE CLEANER; ALLOW TO DRY PRIOR TO APPLYING PRIMER.
- APPLY APPLICABLE THERMOPLASTIC PRIMER TO METAL FLANGE AND MEMBRANE SURFACE PRIOR TO INSTALLING QUICK-APPLIED FLASHING.
- WHEN METAL FASCIA BY OTHERS IS USED, FASTENER TYPE AND FASTENING FREQUENCY SHALL BE RECOMMENDED BY METAL EDGE MANUFACTURER.



VERSITRIM DRIP EDGE FASCIA

→ VERSIFLEECE MEMBRANE
 → FLEXIBLE DASH
 → APPROVED SUBSTRATE
 0 → SEE NOTE(S)

THERMOPLASTIC VERSIFLEECE ADHERED

VF-1.1