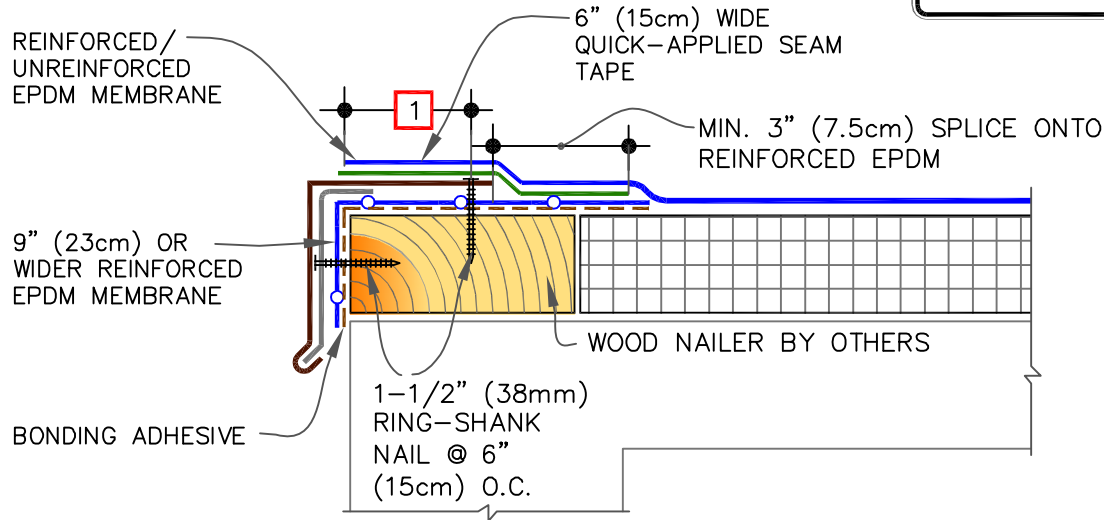
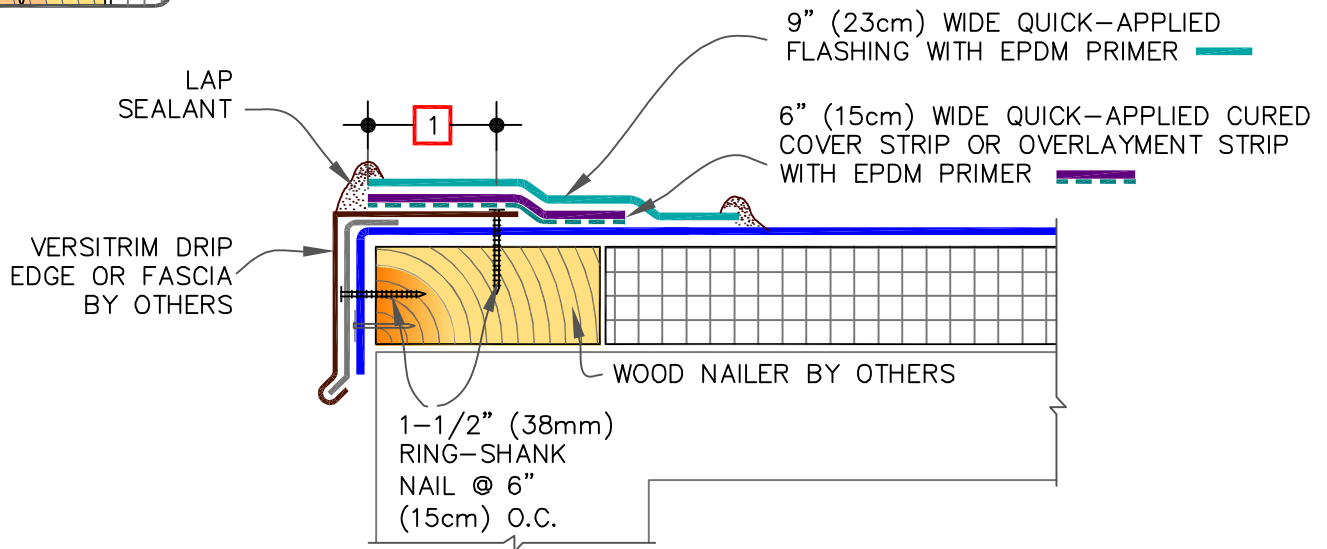
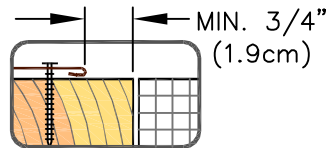


OPTION 1



OPTION 2






NOTES:

1. DECK FLANGE MUST BE TOTALLY COVERED WITH MINIMUM 2" (5cm) COVERAGE PAST NAIL HEADS. TO REMOVE FINISHING OILS, SCRUB METAL FLANGE WITH WEATHERED MEMBRANE CLEANER; ALLOW TO DRY PRIOR TO APPLYING PRIMER.
2. LAP SEALANT MUST BE APPLIED AT FLASHING OVERLAPS AND INTERSECTIONS WITH JOINTS IN METAL EDGING.
3. ALL SPLICE INTERSECTIONS MUST BE OVERLAID WITH QUICK-APPLIED T-JOINT COVERS AND SEALED WITH CONTINUOUS LAP SEALANT. PRIOR TO DOING SO, APPLY LAP SEALANT ALONG THE LEADING EDGE OF THE MEMBRANE SPLICES (UNDER THE 6" X 6" (15cm X 15cm) T-JOINT COVER) COVERING THE EXPOSED SPLICE TAPE 1/2" (1.5cm) IN ALL DIRECTIONS FROM THE SPLICE INTERSECTION.
4. DETAIL NOT FOR USE WITH DESIGN "B" (BALLASTED STONE ASSEMBLY).

MAXIMUM WARRANTY: 30 YEARS



VERSITRIM DRIP EDGE (30
YEAR WARRANTIES)

-  → EPDM MEMBRANE
-  → APPROVED SUBSTRATE
-  → SEE NOTE(S)

VersiGard COMMON
DETAILS (EPDM)

VGC-1.4A