

Cover Board Options

High-Density Polyisocyanurate Cover Boards

Cover Board	Thickness	Direct Membrane Attachment
InsulBase HD	½"	Mechanically-Fastened
SecurShield HD	½"	Mechanically-Fastened Fully-Adhered
SecurShield HD Plus	½"	Fully-Adhered
SecurShield HD RL	½"	Hook & Loop

Gypsum Cover Boards

DensDeck™	¼", ½", ¾"	Mechanically-Fastened
DensDeck Prime	¼", ½", ¾"	Fully-Adhered Mechanically-Fastened
SECUROCK™ Glass-Mat	¼", ⅜", ½", ⅝"	Mechanically-Fastened
SECUROCK Coated Glass-Mat	¼", ½", ⅝"	Fully-Adhered Mechanically-Fastened
SECUROCK Gypsum Fiber	¼", ⅜", ½", ⅝"	Fully-Adhered Mechanically-Fastened

Composite Cover Boards

SecurShield HD Composite (HD Polyiso & Polyiso)	1½" – 4½"	Fully-Adhered Mechanically-Fastened
StormBase™ Composite (OSB & Polyiso)	1½" – 4½"	Fully-Adhered Mechanically-Fastened
SecurShield HD EPS Composite (HD Polyiso & Expanded Polystyrene)	1½" – 6"	Fully-Adhered Mechanically-Fastened

Other

EcoStorm VSH (Recycled)	½"	Fully-Adhered Mechanically-Fastened
R-Tech® Fan Fold (Expanded Polystyrene)	½"	Mechanically-Fastened
PB6 Roofing Cover Board (Extruded Polystyrene)	¾"	Mechanically-Fastened
HP Recovery Board (Wood Fiber)	½" – 1"	Fully-Adhered Mechanically-Fastened



Installation Requirements

- » Insulation should be protected from flame and kept dry at all times
- » Install only as much insulation as can be covered the same day by roof-covering material
- » Never leave more than a ¼" gap between insulation boards
- » Never put an insulation fastener less than 6" from a board edge

Installation Recommendations

- » Install insulation in a minimum of 2 layers to reduce thermal loss
- » Stagger insulation joints a minimum of 6" from subsequent and adjacent insulation joints
- » Make square cuts on insulation boards to reduce gapping issues
- » Remove dust and debris from insulation surfaces before membrane installation

Storage Recommendations

1. Store bundles flat and upright with the bottom of the bundles elevated 2" or more above a finished surface.
2. Slit the bundle packaging vertically down the center of the two short sides to prevent moisture accumulation within the package.
3. Completely cover the bundle with a waterproof tarp and secure to prevent wind damage and/or displacement.

EXPERIENCE THE CARLISLE DIFFERENCE



Insulation Options

Polyisocyanurate Insulation Glass Reinforced Felt (GRF) Facers

Insulation	Thickness	Direct Membrane Attachment
InsulBase®	½" – 4½" (available in taper)	Fully-Adhered Mechanically-Fastened Ballasted
InsulBase NH	½" – 4½" (available in taper)	Fully-Adhered Mechanically-Fastened Ballasted
InsulBase RL™	2", 2.6"	Hook & Loop

Polyisocyanurate Insulation Coated Glass Facers (CGF)

SecurShield™	½" – 4½" (available in taper)	Fully-Adhered Mechanically-Fastened Ballasted
SecurShield NH	½" – 4½" (available in taper)	Fully-Adhered Mechanically-Fastened Ballasted
SecurShield RL	2", 2.6"	Hook & Loop

Expanded Polystyrene (EPS)

InsulFoam Flat	½" – 40" (available in taper)	Mechanically-Fastened
----------------	----------------------------------	-----------------------

Extruded Polystyrene (XPS)

Owens Corning FOAMULAR®	½" – 4" (available in taper)	Mechanically-Fastened
Dow DECKMATE™ Plus	1" – 4" (available in taper)	Mechanically-Fastened
Kingspan GreenGuard®	1" – 4" (available in taper)	Mechanically-Fastened

Vacuum Insulated Panels (VIP)

OPTIM-R®	40mm (1.6")	N/A
----------	-------------	-----

Mineral Wool

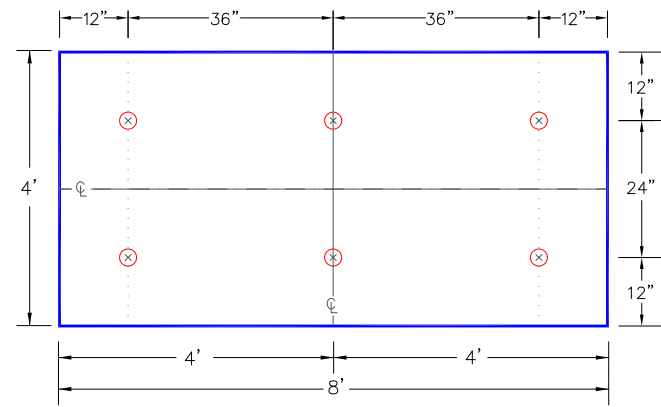
TOPROCK® DD	2" – 6"	N/A
-------------	---------	-----

800-479-6832 | P.O. Box 7000 | Carlisle, PA 17013
Fax: 717-245-7053 | www.carlislesyntec.com

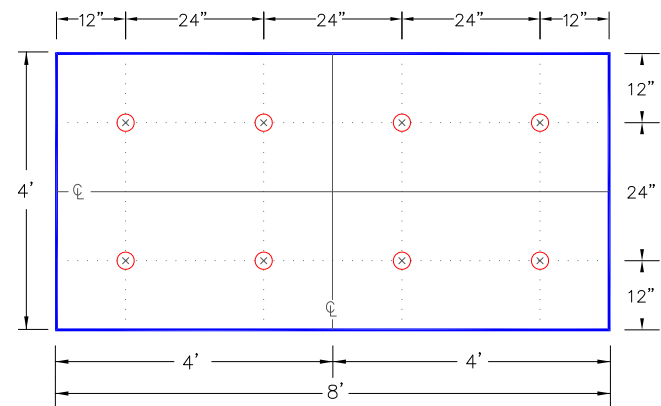
Carlisle, InsulBase, RL, SecurShield, SecurFAST, and StormBase are trademarks of Carlisle. R-Tech is a trademark of InsulFoam. SECUROCK is a trademark of USG Corporation or its subsidiaries or affiliates. DensDeck is a registered trademark of Georgia-Pacific Gypsum LLC. DECKMATE is a trademark of The Dow Chemical Company. GreenGuard and OPTIM-R are Registered Trademarks of the Kingspan Group plc in the US. TOPROCK is a trademark of ROCKWOOL. 08.24.20 © 2020 Carlisle. REPRINT CODE: 612853 INS_CST-12217 - "Insulation Field Guide"

Insulation Field Guide

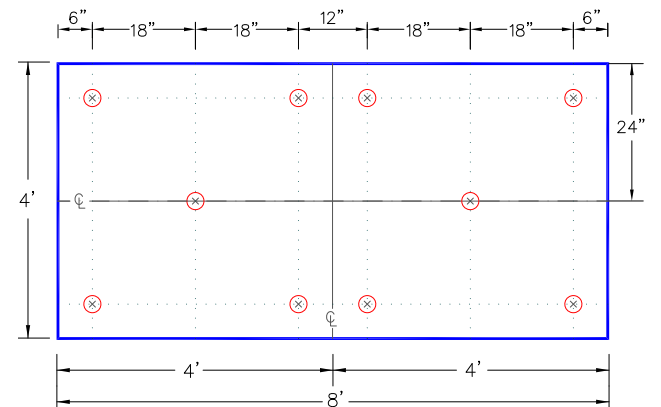
Fastening



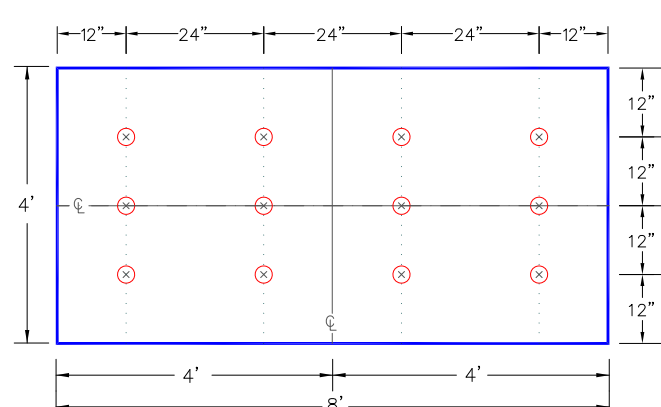
6 Insulation Fasteners & Plates



8 Insulation Fasteners & Plates



10 Insulation Fasteners & Plates



12 Insulation Fasteners & Plates

Adhered Membranes

Top Layer Fastening for Field

- » Decking: 22 gauge steel, structural concrete, 1.5" wood plank, 3/4" plywood
- » Building height: Less than 50 ft.

Up to 20 year warranty (# Fasteners per 4' x 8' Board)

55/72 MPH	<ul style="list-style-type: none"> • 1" 20psi Polyiso (16) • 1 1/2" 20psi Polyiso (10) • 2" 20psi Polyiso (8) • 1/2" SecurShield HD (12) • 1/2" SecurShield HD Plus (8) • 2" SecurShield HD Comp (6) • StormBase (8) • 1/4" DensDeck Prime (12) • 1/4" Securock Gypsum Fiber/Coated Glass-Mat (12) • 1/2" DensDeck Prime (8) • 1/2" Securock Gypsum Fiber/Coated Glass-Mat (8) • 1/2" EcoStorm VSH (8)
80 MPH	<ul style="list-style-type: none"> • 1 1/2" 25psi Polyiso (10) • 2" 25psi Polyiso (8) • 2" 20psi SecurShield (8) • 1/2" SecurShield HD (16) • 1/2" SecurShield HD Plus (8) • 2" SecurShield HD Comp (6) • StormBase (8) • 1/2" DensDeck Prime (8) • 1/2" Securock Gypsum Fiber/Coated Glass-Mat (8) • 1/2" EcoStorm VSH (8)
90 MPH	<ul style="list-style-type: none"> • 1 1/2" SecurShield (16) • 2" SecurShield (8) • 1/2" SecurShield HD (16) • 1/2" SecurShield HD Plus (12) • 2" SecurShield HD Comp (8) • StormBase (8) • 1/2" DensDeck Prime (12) • 1/2" Securock Gypsum Fiber/Coated Glass-Mat (12) • 1/2" EcoStorm VSH (12)
100 MPH	<ul style="list-style-type: none"> • 2" 25psi SecurShield (16) • 1/2" SecurShield HD Plus (16) • 2" SecurShield HD Comp (16) • StormBase (16) • 5/8" DensDeck Prime (16) • 5/8" Securock Gypsum Fiber/Coated Glass-Mat (16) • 1/2" EcoStorm VSH (16)
110 MPH	<ul style="list-style-type: none"> • 1/2" SecurShield HD Plus (16) • 2" SecurShield HD Comp (16) • StormBase (16) • 5/8" DensDeck Prime (16) • 5/8" Securock Gypsum Fiber/Coated Glass-Mat (16) • 1/2" EcoStorm VSH (16)
120 MPH	<ul style="list-style-type: none"> • 1/2" SecurShield HD Plus (24) • 2" SecurShield HD Comp (16) • StormBase (16) • 5/8" DensDeck Prime (16) • 5/8" Securock Gypsum Fiber/Coated Glass-Mat (16) • 1/2" EcoStorm VSH (16)

This data and information is intended as a general guide and should not be used as a project specific, specification guideline.

Adhered Membranes

Top Layer Polyurethane Attachment

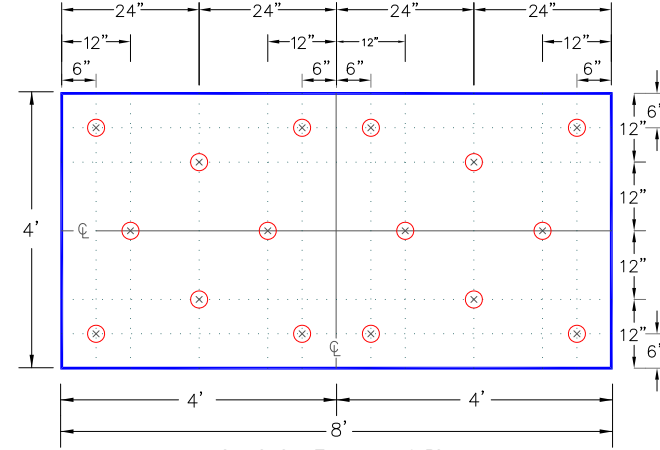
- » Decking: structural concrete and lightweight structural concrete
- » Building height: Less than 50 ft.

Up to 20 Year Warranty Bead Spacing for Field (F) and Perimeter (P)

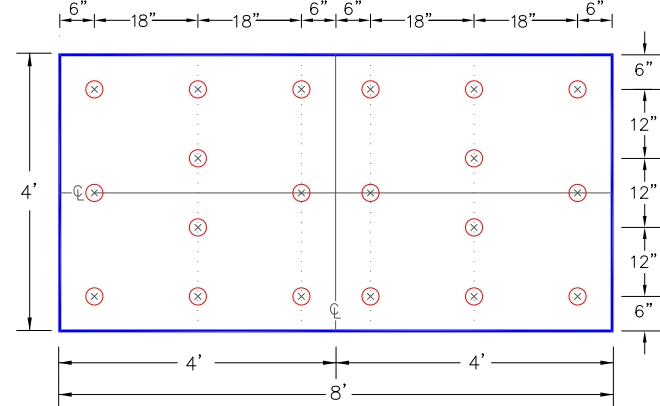
	F	P
55, 72, or 80 MPH	12"	6"
90 MPH	6"	6"
100 MPH	Full Spray	Full Spray
110 MPH	Full Spray	Full Spray
120 MPH	Full Spray	Full Spray

This data and information is intended as a general guide and should not be used as a project specific, specification guideline.

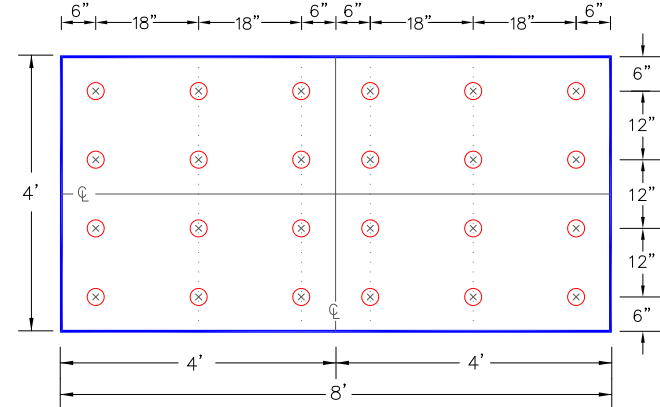
Fastening



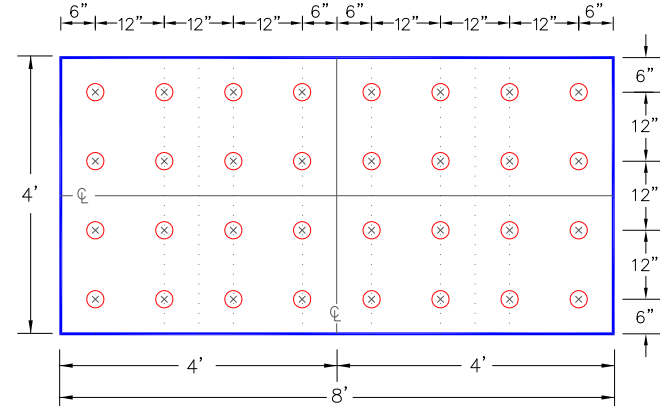
16 Insulation Fasteners & Plates



20 Insulation Fasteners & Plates



24 Insulation Fasteners & Plates



32 Insulation Fasteners & Plates