

**SecurEdge™
400/4000 Series**



Engineered Commercial Roof Edge Systems

Experience the Carlisle Difference

In the 1960s, Carlisle SynTec Systems transformed the commercial roofing industry with the introduction of its Sure-Seal® EPDM single-ply membrane. Since that time, Carlisle has earned a reputation for providing the most dependable and longest-lasting single-ply roof systems on the market.

Today, Carlisle's product offering has grown to include Sure-Weld® TPO, Sure-Flex™ PVC, and FleeceBACK® membranes, as well as a full line of labor-saving accessories. Carlisle also offers edge metal, Roof Garden components, coatings, skylights, and pavers, and manufactures its own polyiso and EPS insulation, adhesives, primers, and membrane cleaners.

Carlisle roofs have been installed on a wide range of buildings around the world, including schools, hospitals, warehouses, and cold-storage facilities. With more than 15 billion square feet of roofing materials sold and installed, Carlisle continues to lead the industry by providing innovative products, services, and warranty options. Whatever your roofing needs, Carlisle has a system – and a solution – for you.

CARLISLE'S SECUREDGE 400/4000 PRODUCT LINE

- » SecurEdge 4000 HP
Spring-Tite Coping
- » SecurEdge 400
Spring-Tite Coping
- » SecurEdge 400 Coping
- » SecurEdge 4000 HP Fascia
- » SecurEdge 4000 Fascia
- » SecurEdge 400
Spring-Tite Gravel Stop
- » SecurEdge 400
Snap Lock Gravel Stop
- » SecurEdge 400 Drip Edge
- » SecurEdge 4000 HP Gutter
- » SecurEdge 400 Gutter

SELECTING THE IDEAL PERIMETER EDGE SYSTEM FOR YOUR BUILDING

Fact: Roof edge systems typically represent only about 1% of a building's overall cost. Yet, the importance of a properly designed roof edge system cannot be underestimated or ignored, as 60% of all roof warranty claims are attributed to metal edge failures.

- » A quality roof edge system will resist the inward pull of the roof system due to expansion and contraction.
- » A quality roof edge system will resist the wind uplift forces that can peel the edge system off the building.



AVAILABLE WARRANTIES

Carlisle employs stringent quality assurance protocols to ensure its products meet or exceed the strictest code requirements in the country. Independently tested and certified to withstand gale- to hurricane-force winds, hail, fire, and wind-driven rain, Carlisle's edge metal is backed by industry-leading warranties, including:

- » A fully transferrable 20-Year, 110-mph (Edge) Wind Warranty
- » A fully transferrable 30-Year, 210-mph (Edge) Wind Warranty
- » A fully transferrable 35-Year, Non-Prorated Gold Standard Paint Finish Warranty

For complete information about warranty options, please contact your Carlisle manufacturer's representative.

WHAT IS AN ES-1 RATED ROOF EDGE SYSTEM?

The ANSI/SPRI ES-1 Standard is a reference for those who design, specify, fabricate, or install edge materials used with low-slope roofing systems. Based on the information in ASCE 7-02 Minimum Design Loads for Buildings and Other Structures, the purpose of ES-1 is to improve the longevity and safety of low-slope commercial roofs by incorporating quality edge metal systems.

ES-1 provides calculations and test methods for determining wind uplift pressures on perimeter roof edge terminations, helping to protect the entire system by reducing the risk of edge failure.

ES-1 COMPLIANT AND CERTIFIED

Regardless of what level of wind resistance is required, Carlisle has an edge metal system for the job. Carlisle's ES-1 compliant edge metal systems are made of premium-quality, heavy-gauge materials and feature pre-punched, engineered cleats that are available in both continuous and segmented lengths. This unique cleat design takes the guesswork out of fastener spacing, prevents sag, and is quick and simple to install.

Carlisle's edge systems are available in a variety of gauges, colors, and design options.

- » Coping widths of 4" to 24"
- » Face dimensions of 4" to 10"
- » Radius trim
- » Riveted corners
- » Welded aluminum corners



SECUREDGE 4000 HP SPRING-TITE COPING

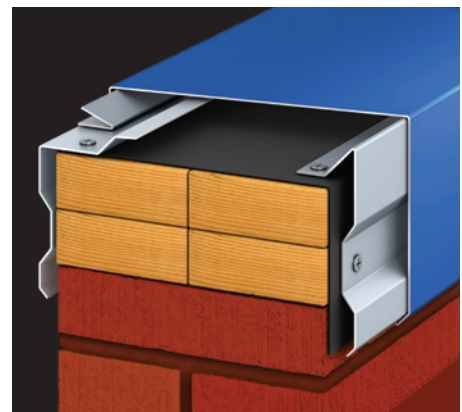
Carlisle's SecurEdge 4000 HP Spring-Tite Coping system is a two-piece assembly that includes a front and rear segmented cleat and a decorative snap-on coping cover. SecurEdge 4000 HP Spring-Tite Coping features a 16-gauge (G90) pre-punched segmented V-Cleat spaced at 60" on center. Concealed splice plates and fasteners are included with purchase.

Material: Available in .040" formed aluminum and 24-gauge Kynar 500®-coated Galvalume steel. Additional gauges are available upon request.

Available Warranties:

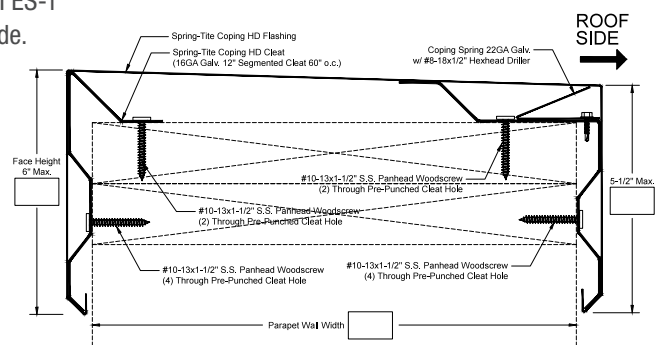
- » Fully transferrable 30-Year, 210-mph (Edge) Wind Warranty
- » Fully transferrable 35-Year Non-Prorated Gold Standard Paint Finish Warranty

Testing: This material has been tested in accordance with ANSI/SPRI ES-1 Standard for Sustained Wind Speeds per the International Building Code.



Specifications

Material	Face	Rear	Wall Width
24-gauge	up to 6"	up to 5.5"	<16" max
24-gauge	up to 6"	up to 5.5"	16" to 24" max
0.040 Aluminum	up to 6"	up to 5.5"	<16" max
0.040 Aluminum	up to 6"	up to 5.5"	16" to 24" max



SECUREDGE 400 SPRING-TITE COPING

Carlisle's SecurEdge 400 Spring-Tite Coping system is a two-piece assembly that consists of a front and rear segmented cleat and a decorative snap-on coping cover. SecurEdge 400 Spring-Tite Coping features an 18-gauge, pre-punched segmented V-Cleat spaced at 60" on center. Concealed splice plates and fasteners are included with purchase.

Material: Available in .040" formed aluminum and 24-gauge Kynar 500-coated Galvalume steel. Additional gauges are available upon request.

Available Warranties:

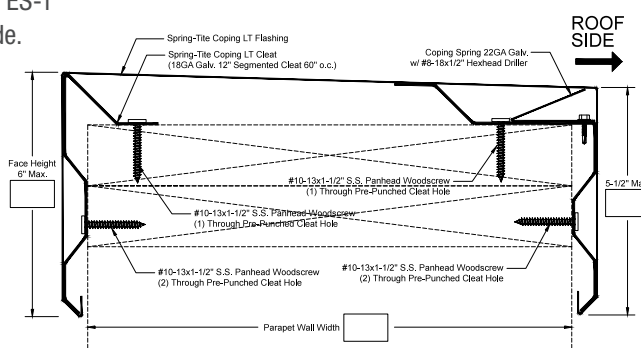
- » Fully transferrable 20-Year, 110-mph (Edge) Wind Warranty
- » Fully transferrable 35-Year, Non-Prorated Gold Standard Paint Finish Warranty

Testing: This material has been tested in accordance with ANSI/SPRI ES-1 Standard for Sustained Wind Speeds per the International Building Code.



Specifications

Material	Face	Rear	Wall Width
24-gauge	up to 6"	up to 5.5"	<16" max
24-gauge	up to 6"	up to 5.5"	16" to 24" max
0.040 Aluminum	up to 6"	up to 5.5"	<16" max
0.040 Aluminum	up to 6"	up to 5.5"	16" to 24" max



SECUREDGE 400 COPING

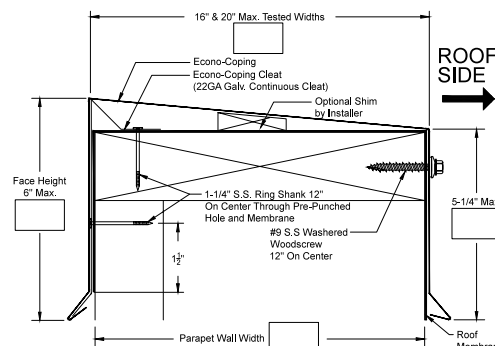
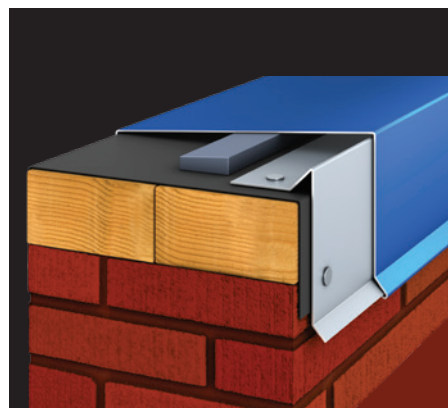
Carlisle's SecurEdge 400 Coping system is a two-piece assembly that consists of a continuous cleat and a decorative snap-on coping cover. This product features two cleat options: a 22-gauge (G90) pre-punched continuous cleat with fasteners spaced at 12" on center, or a 24-gauge (AZ50) pre-punched continuous cleat with fasteners spaced at 12" on center. SecurEdge 400 Coping is offered in 10' cleat and coping cover lengths; concealed splice plates and fasteners are included with purchase.

Material: Available in .040" formed aluminum and 24-gauge Galvalume steel. Additional gauges are available upon request.

Available Warranties:

- » Fully transferrable 20-Year, 110-mph (Edge) Wind Warranty (24-gauge cleat)
- » Fully transferrable 30-Year, 210-mph (Edge) Wind Warranty (22-gauge cleat)
- » Fully transferrable 35-Year, Non-Prorated Gold Standard Paint Finish Warranty

Testing: This product was tested in accordance with ANSI/SPRI ES-1 Standard for Sustained Wind Speeds per the International Building Code.



Specifications

Material	Face	Rear	Wall Width
24-gauge	up to 6"	up to 5.5"	<16" max
24-gauge	up to 6"	up to 5.5"	16" to 24" max
0.040 Aluminum	up to 6"	up to 5.5"	<16" max
0.040 Aluminum	up to 6"	up to 5.5"	16" to 24" max

SECUREDGE 4000 HP FASCIA

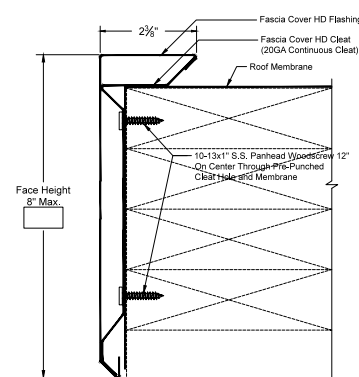
Carlisle's SecurEdge 4000 HP Fascia consists of a two-piece assembly that includes a continuous cleat and a decorative fascia cover. This product features 20-gauge pre-punched cleats with fasteners spaced at 12" on center and is offered in 10' cleat and coping cover lengths. Concealed splice plates and fasteners are included with purchase.

Material: Available in pre-painted Kynar 500-coated .040" formed aluminum and 24-gauge Galvalume steel. Additional gauges are available upon request.

Available Warranties:

- » Fully transferrable 30-Year, 210-mph (Edge) Wind Warranty
- » Fully transferrable 35-Year, Non-Prorated Gold Standard Paint Finish Warranty

Testing: This product was tested in accordance with ANSI/SPRI ES-1 Standard for Sustained Wind Speeds per the International Building Code.



Specifications	
Material	Face
24-gauge	up to 8"
0.040 Aluminum	up to 8"

SECUREDGE 400 FASCIA

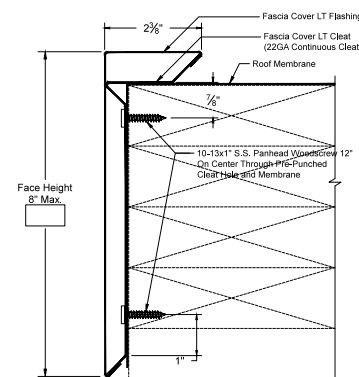
Carlisle's SecurEdge 400 Fascia is a two-piece assembly that consists of a continuous cleat and a decorative fascia cover. This product features a 22-gauge pre-punched cleat with fasteners spaced at 12" on center, and is offered in standard 10' cleat and coping cover lengths. Concealed splice plates and fasteners are included with purchase.

Material: Available in pre-painted Kynar 500-coated .040" formed aluminum and 24-gauge Galvalume steel. Additional gauges are available upon request.

Available Warranties:

- » Fully transferrable 20-Year, 110-mph (Edge) Wind Warranty
- » Fully transferrable 35-Year, Non-Prorated Gold Standard Paint Finish Warranty

Testing: This product was tested in accordance with ANSI/SPRI ES-1 Standard for Sustained Wind Speeds per the International Building Code.



Specifications	
Material	Face
24-gauge	up to 8"
0.040 Aluminum	up to 8"

SECUREDGE 400 SPRING-TITE GRAVEL STOP

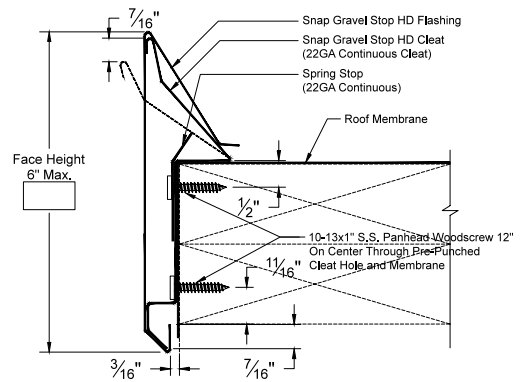
Carlisle's SecurEdge 400 Spring-Tite Gravel Stop system is a three-piece assembly that consists of a continuous cleat, spring-stop, and decorative snap-on Gravel Stop cover. This product is available in 10' standard lengths, and features a 22-gauge (G90) continuous cleat with pre-punched slotted holes for fasteners at 12" on center. Concealed splice plates and fasteners are included with purchase.

Material: Available in .040" formed aluminum and 24-gauge Kynar 500-coated Galvalume steel. Additional gauges are available upon request.

Available Warranties:

- » Fully transferrable 20-Year, 110-mph (Edge) Wind Warranty
- » Fully transferrable 35-Year, Non-Prorated Gold Standard Paint Finish Warranty

Testing: This product was tested in accordance with ANSI/SPRI ES-1 Standard for Sustained Wind Speeds per the International Building Code.



Specifications	
Material	Face
24-gauge	up to 6"
0.040 Aluminum	up to 6"

SECUREDGE 400 SNAP LOCK GRAVEL STOP

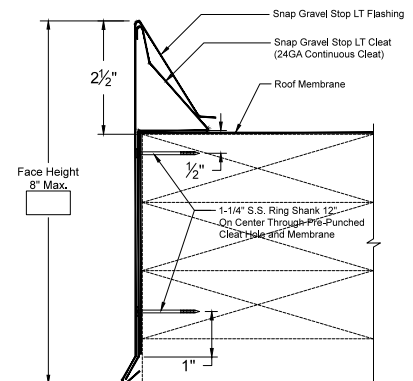
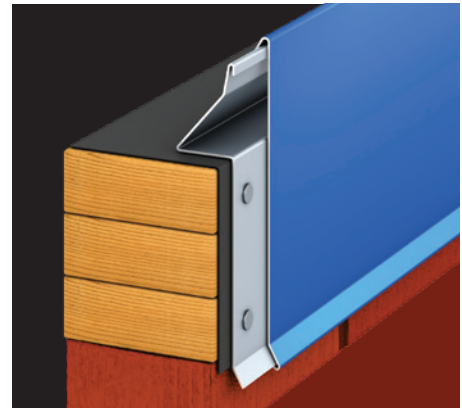
Carlisle's SecurEdge 400 Snap Lock Gravel Stop system is a two-piece assembly that consists of a continuous cleat and a decorative snap-on Gravel Stop cover. This product features two cleat options: a 22-gauge (G90) pre-punched cleat with fasteners spaced at 12" on center, or a 24-gauge (AZ50) pre-punched cleat with fasteners spaced at 12" on center. SecurEdge 400 Snap Lock Gravel Stop is offered in 10' standard cleat and coping cover lengths. Concealed splice plates and fasteners are included with purchase.

Material: Available in .040" formed aluminum and 24-gauge Kynar 500-coated Galvalume steel. Additional gauges are available upon request.

Available Warranties:

- » Fully transferrable 20-Year, 110-mph (Edge) Wind Warranty
- » Fully transferrable 35-Year, Non-Prorated Gold Standard Paint Finish Warranty

Testing: This product was tested in accordance with ANSI/SPRI ES-1 Standard for Sustained Wind Speeds per the International Building Code.



Specifications (22-gauge cleat)		Specifications (24-gauge cleat)	
Material	Face	Material	Face
24-gauge	up to 6"	24-gauge	up to 8"
0.040 Aluminum	up to 6"	0.040 Aluminum	up to 8"



SECUREDGE 400 DRIP EDGE

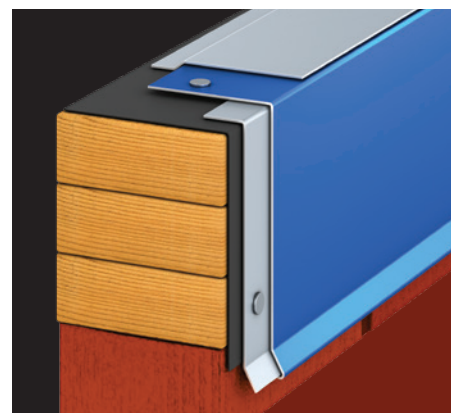
Carlisle's SecurEdge 400 Drip Edge system is a two-piece assembly that consists of a continuous base and a decorative Drip Edge cover. This product features two cleat options: a 22-gauge (G90) pre-punched cleat with fasteners spaced at 12" on center, or 24-gauge (AZ50) pre-punched cleat with fasteners spaced at 12" on center. SecurEdge 400 Drip Edge is available in 10' cleat and cover lengths; concealed splice plates and fasteners are included with purchase.

Material: Available in .040" formed aluminum and 24-gauge Kynar 500-coated Galvalume steel. Additional gauges are available upon request.

Available Warranties:

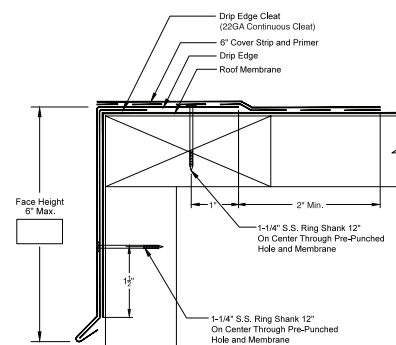
- » Fully transferrable 30-Year, 210-mph (Edge) Wind Warranty
- » Fully transferrable 35-Year, Non-Prorated Gold Standard Paint Finish Warranty

Testing: This product was tested in accordance with ANSI/SPRI ES-1 Standard for Sustained Wind Speeds per the International Building Code.



Specifications (22-gauge cleat)	
Material	Face
24-gauge	up to 6"
0.040 Aluminum	up to 6"

Specifications (24-gauge cleat)	
Material	Face
24-gauge	up to 6"
0.040 Aluminum	up to 6"



SECUREDGE 4000 HP GUTTER

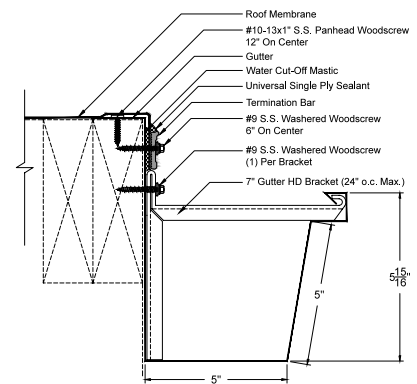
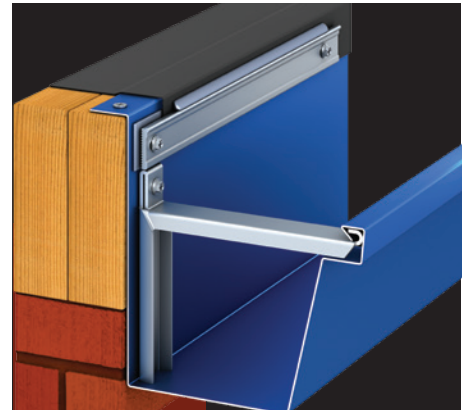
Carlisle's 7" SecurEdge 4000 HP Gutter features a high-performance aluminum bracket system that is ideal for harsh environments. Offered in 10' standard lengths, brackets and fasteners are spaced 24" on center and are included with purchase.

Material: Available in .040" formed aluminum as well as 24-gauge Kynar 500-coated Galvalume steel. Additional gauges are available on request.

Available Warranty:

» Fully transferrable 35-Year, Non-Prorated Gold Standard Paint Finish Warranty

Testing: This product was tested in accordance with ANSI/SPRI ES-1 Standard for Sustained Wind Speeds per the International Building Code.



Specifications

Material	Size
24-gauge	7"
0.040 Aluminum	7"

SECUREDGE 400 GUTTER

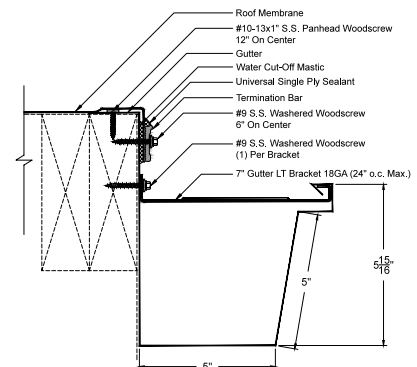
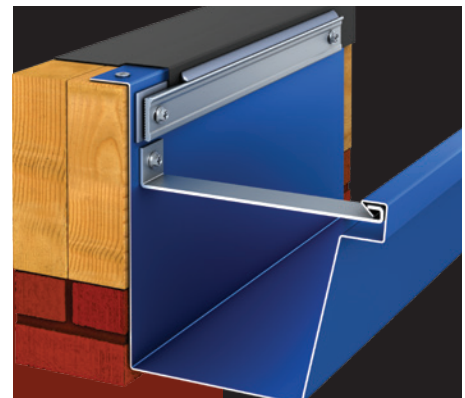
Carlisle's 7" SecurEdge 400 Gutter is a heavy-duty system that features 18-gauge hot-dipped galvanized gutter brackets. Offered in 10' standard lengths, brackets and fasteners are spaced 24" on center and are included with purchase.

Material: Available in .040" formed aluminum and 24-gauge Kynar 500-coated Galvalume steel. Additional gauges are available upon request.

Available Warranty:

» Fully transferrable 35-Year, Non-Prorated Gold Standard Paint Finish Warranty

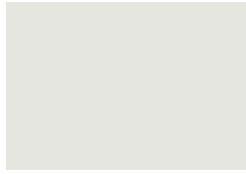
Testing: This product is tested in accordance with ANSI/SPRI ES-1 Standard for Sustained Wind Speeds per the International Building Code.



Specifications

Material	Size
24-gauge	7"
0.040 Aluminum	7"

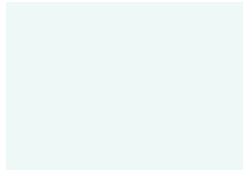
EDGE METAL COLOR OPTIONS



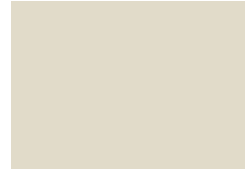
STONE WHITE



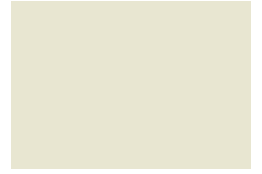
BONE WHITE



REGAL WHITE



SANDSTONE



ALMOND



SIERRA TAN



BUCKSKIN



MEDIUM BRONZE



DARK BRONZE



ANTIQUÉ BRONZE



MIDNIGHT BRONZE



AGED BRONZE



MANSARD BROWN



BLACK



CITYSCAPE



SLATE GRAY



GRANITE *L*



MUSKET GRAY



CHARCOAL



IRON ORE



HEMLOCK GREEN



PATINA GREEN



FOREST GREEN



HARTFORD GREEN



BURGUNDY



COLONIAL RED



TERRA COTTA



CARDINAL RED



TEAL



MILITARY BLUE



PACIFIC BLUE



INTERSTATE BLUE



AWARD BLUE



SILVER *P*



ZINC *P*



WEATHERED ZINC *P*



CHAMPAGNE *P*



COPPER PENNY *P*



AGED COPPER *P*



DREXLUME™ *M*

P = PREMIUM

M = MILL FINISH

L = LOW GLOSS COLOR

EDGE METAL COLOR OPTIONS

● = Standard Product

✓ = CRRC Approved Finishes

Product Options	SR	SRI	24 ga x 20"	24 ga x 48"	22 ga x 48"	26 ga x 20"	26 ga x 27.5"	26 ga x 48"	0.032 x 20"	0.032 x 48"	0.040 X 48"	0.050 x 48"	0.063 x 48"	Cool Roof Rated
Standard Colors														
Aged Bronze	0.29	29	●	●										✓
Almond	0.53	62	●	●	●					●	●	●		✓
Antique Bronze	0.29	28	●	●	●			●	●	●	●	●		
Black	0.20	17	●	●	●			●	●	●	●	●	●	
Bone White	0.67	81	●	●	●	●		●	●	●	●	●	●	✓
Buckskin	0.38	41	●	●				●	●					
Burgundy	0.24	23	●	●					●			●		
Charcoal	0.27	27	●	●					●	●	●	●		✓
Cityscape	0.44	49	●	●	●				●	●	●	●		✓
Colonial Red	0.32	34	●	●				●	●	●	●	●		✓
Dark Bronze	0.26	24	●	●	●				●	●	●	●	●	✓
Forest Green	0.10	6	●	●	●			●	●	●	●	●		
Hartford Green	0.29	29	●	●					●		●	●		
Hemlock Green	0.29	29	●	●					●	●	●	●		✓
Interstate Blue	0.13	8	●	●					●	●		●		
Iron Ore	0.27	26	●	●				●	●	●	●	●		
Mansard Brown	0.29	29	●	●	●				●	●	●	●		✓
Medium Bronze	0.26	26	●	●	●			●	●	●	●	●	●	✓
Midnight Bronze	0.06	0	●	●							●			
Military Blue	0.29	29	●	●					●	●				✓
Musket Gray	0.31	32	●	●	●				●	●		●		✓
Pacific Blue	0.25	24	●	●					●	●		●		✓
Patina Green	0.33	34	●	●					●	●				✓
Regal White	0.60	78	●	●				●	●	●	●	●		
Sandstone	0.49	56	●	●	●				●	●	●	●	●	✓
Sierra Tan	0.36	39	●	●	●				●	●	●	●	●	✓
Slate Gray	0.37	40	●	●	●			●	●	●	●	●		✓
Stone White	0.64	77	●	●	●				●	●	●	●	●	✓
Teal	0.26	25	●	●					●	●		●		✓
Terra Cotta	0.36	39	●	●					●	●		●		✓
Low Gloss Colors														
Aspen Bronze	0.26	26	●	●		●		●						✓
Autumn Red	0.32	34	●	●		●		●						✓
Chestnut Brown	0.29	29	●	●		●		●						✓
Classic Bronze	0.29	28	●	●		●		●	●					✓
Granite	0.32	33	●	●	●				●	●	●	●		✓
Inkwell	0.27	26	●	●		●		●	●					
Midnight Green	0.29	29	●	●		●		●						
Nantucket Gray	0.37	40	●	●		●		●						✓
Pine	0.10	6	●	●		●		●						
Traditional Black	0.20	17	●	●		●		●						
Antique Metal	0.34	34	●	●										
Metallics														
Aged Copper	0.26	25		●					●	●				✓
Champagne	0.40	42		●					●	●	●	●		✓
Copper Penny	0.47	53	●	●					●	●	●	●		✓
Silver	0.49	54	●	●	●				●	●	●	●		✓
Weathered Zinc	0.26	23	●	●	●				●	●	●	●		✓
Zinc*	0.33	35	●	●					●	●	●	●		✓
Exotics - 10-year Color Fade Warranty														
Award Blue (10-YR)*	0.21	17	●	●						●		●		
Cardinal Red (10-YR)*	0.37	39	●	●					●	●		●		✓
Bare Products														
Drexlume			●	●	●	●	●	●						
Mill Finished Aluminum										●	●	●	●	
Clear Anodized										●	●	●	●	
Dark Bronze Anodized										●	●	●	●	
Black Anodized											●	●	●	
Vintage®			●	●										
Urban Slate			●	●										
HDG G90			● 16ga x 48" x 120" ● 18 ga x 48" x 120" ● 20 ga x 48" x 120" ● 22 ga x 48" x 120"											

- » High-performance painted perimeter edge products.
- » Carlisle SynTec Systems, standard sheets come in 48" x 120".
- » 30-year paint warranty on Galvalume® and Aluminum substrates, excluding Exotics.
- » 25-year warranty on Galvalume.

- » Not all colors and gauges are stocked in all locations. Contact your Carlisle Manufacturer's Representative for specific stocking information and special requests.
- » Custom colors available.
- » Oil canning is not a cause for rejection.

SHERWIN-WILLIAMS
Coil Coatings

Colors shown represent the actual color as closely as possible. To ensure exact color for final approval, a metal color chip is available. Warranty statements mentioned are outlines; complete Limited Warranty information is available on request. No other warranty expressed or implied is applicable.

EXPERIENCE THE CARLISLE DIFFERENCE



800-479-6832 | P.O. Box 7000 | Carlisle, PA 17013 | Fax: 717-245-7053 | www.carlisesyntec.com

09.01.22 © 2022 Carlisle.
REPRINT CODE: 600199 ACC-6034 - "SecurEdge 400/4000 Series Brochure"

Carlisle, SecurEdge, Sure-Seal, Sure-Weld, Sure-Flex and FleeceBACK are trademarks of Carlisle.
Kynar 500 is a registered trademark of Arkema Inc. Galvalume is a registered trademark of BEIC International, Inc.
Drexlume is a trademark of Drexel Metals, Inc.