

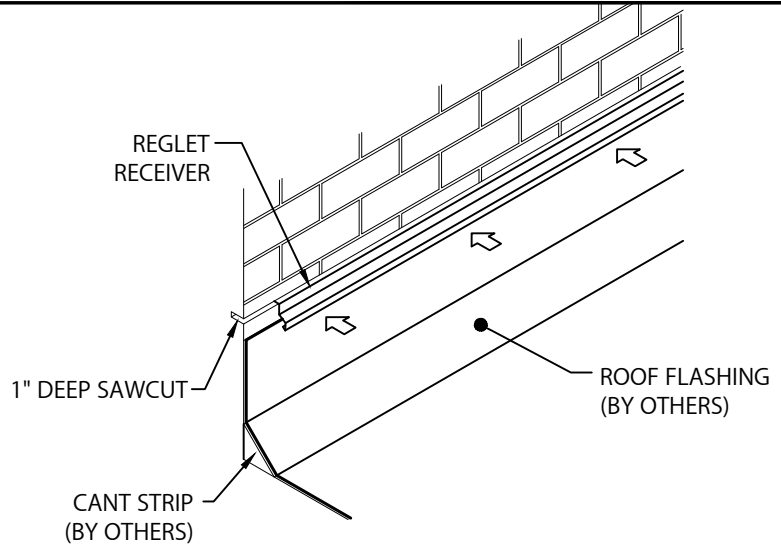
VERSITRIM 2 PC COUNTERFLASHING REGLET

INSTALLATION INSTRUCTIONS

STEP 1 - REGLET RECEIVER

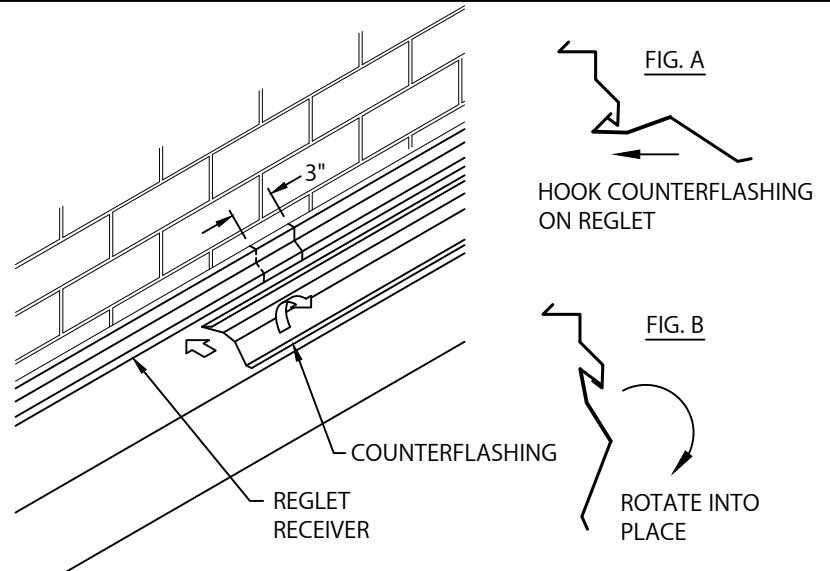
INSTALL REGLET RECEIVER INTO 1" DEEP SAWCUT OR MORTAR JOINT. SAWCUT SHALL BE CUT TRUE AND LEVEL A MINIMUM OF 7" ABOVE THE HIGH POINT OF THE CANT STRIP (IF USED). INSTALL FROM RIGHT TO LEFT. LAP ENDS OF REGLET 3" AT FACTORY NOTCHED END.

NOTE: REMOVE PROTECTIVE FILM IMMEDIATELY.



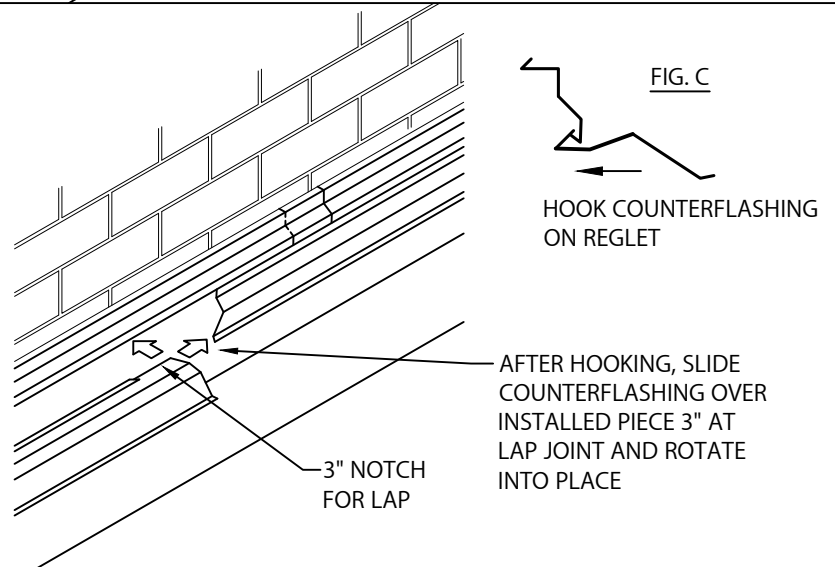
STEP 2 - COUNTERFLASHING

PRIOR TO INSTALLING COUNTERFLASHING, REMOVE PROTECTIVE FILM. HOOK COUNTERFLASHING ONTO RECEIVER AS SHOWN IN FIG. A. ROTATE DOWNWARD INTO PLACE (FIG. B). STAGGER REGLET RECEIVER AND COUNTERFLASHING JOINTS ACCORDINGLY.



STEP 3 - COUNTERFLASHING

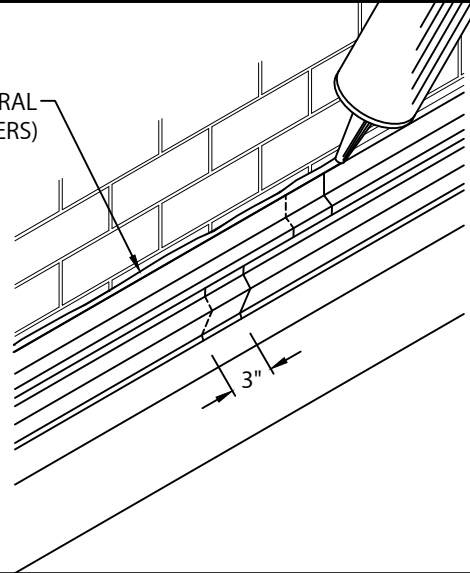
REMOVE PROTECTIVE FILM. HOOK COUNTERFLASHING ONTO RECEIVER AS SHOWN IN FIG. C. SLIDE COUNTERFLASHING 3" AT LAP JOINT OVER PREVIOUSLY INSTALLED PIECE. ROTATE DOWNWARD INTO PLACE AS SHOWN IN STEP 2.



VERSITRIM 2 PC COUNTERFLASHING REGLET

INSTALLATION INSTRUCTIONS

HIGH GRADE ARCHITECTURAL
SEALANT (BY OTHERS)



STEP 4 - COMPLETION

APPLY A CONTINUOUS BEAD OF HIGH
GRADE ARCHITECTURAL SEALANT IN
CAULK CUP OF REGLET TO COMPLETE
INSTALLATION.

TYPICAL INSTALLATION

