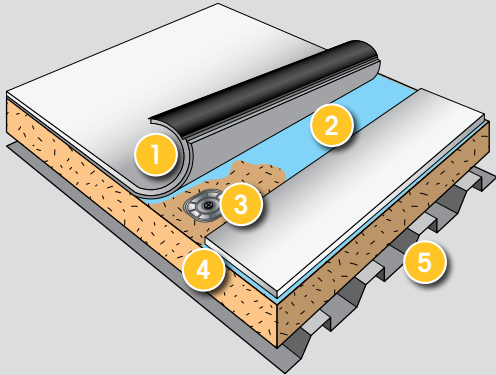




Fully Adhered Systems



Typical Applications

- 1 Versico VersiFleece Membrane
- 2 Versico Adhesive
- 3 Acceptable Attachment
- 4 Versico Approved Insulation
- 5 Approved Roof Deck

VersiFleece 25-and 30-year Total System Warranties\*

1. Membrane\*\*:

- 135-mil VersiFleece TPO
- 135-mil VersiFleece FRS PVC
- 115-mil VersiFleece KEE HP (25-year max.)
- 135-mil VersiFleece KEE HP

2. Membrane Bonding Adhesive:

- Flexible DASH Adhesive

3. Versico Insulation Fasteners and Insulation Plates or Adhesive:

- DASH Adhesive
- Flexible DASH Adhesive
- HPV (steel/wood)
- Insultite (steel/wood)
- ASAP (steel/wood)
- CD-10 (concrete)
- HPVX (steel/wood)
- MP 14-10 (concrete)

4. Cover Board (optional):

- SecurShield™ HD
- SecurShield HD Plus
- SecurShield HD FR
- SECUROCK® Gypsum-Fiber
- DensDeck® Prime or DensDeck
- 7/16" OSB
- Recovery Board (over acceptable insulation)
- DuraStorm VSH™

5. Versico Approved Insulation:

- VersiCore MP-H® Polyiso (25 PSI)
- SecurShield Polyiso (25 PSI)
- SecurShield HD Composite
- Insulfoam EPS (cover board required)
- Insulfoam EPS Composite
- XPS (cover board required)
- DuraFaceR®
- OPTIM-R® (SecurShield HD coverboard required)
- DeckVent (SecurShield insulation required)

6. Vapor Barrier (optional):

- VapAir Seal™ 725TR (direct to concrete, wood, gypsum, or thermal barrier)
- VapAir Seal MD (direct to metal deck only, fastening of above insulation board required)
- SureMB 90/120TG Base (direct to concrete or thermal barrier only)
- SureMB 90 Base Ply (see Versico Specs and Details)
- Polyethylene (by others, fastening of above insulation board required)
- G2 Base Sheet

7. Thermal Barrier (optional, not for use directly over concrete decks):

- DensDeck Prime
- SECUROCK Gypsum-Fiber

8. Deck:

- 22-gauge steel or heavier
- Structural concrete
- Wood plank
- 1/2" plywood
- Gypsum (adhesive attachment only)
- Cementitious wood fiber (adhesive attachment only)
- Approved lightweight insulating concrete (adhesive attachment only)

9. Metal Edging:

- Shop-fabricated metal
- Versico VersiTrim
- Metal by others

10. Applicable Details:

- VF-1.2, VF-1.3, VF-1.4, VF-1.5, VF-1.6, VGMA-2.1A, VF-2.2, VF-3.1, VF-3.2, VF-6.1, VF-6.2, VF-8.1, VF-9.1, VF-9.2, VF-12.1, VF-12.2, VF-15.3, VF-15.4, VF-16.2, VF-18.2, VF-25.1, VGC-15.4B, VGC-15.8

11. Construction Type:

- New construction
- Complete tear-off

12. Slope:

- Positive slope required.

\*Buildings up to 100-feet tall with 55-mph wind speed coverage. Projects requiring warranty wind speeds greater than 55 mph should be reviewed by a Versico representative. All products must be supplied by Versico to be included in the warranty coverage. All roof systems can only be accepted upon inspection by a Versico Field Service Representative. Versico reserves the right to change or enhance any of the above components due to specific or unique project conditions. The intent of this document is to verify the proposed roof assembly meets the requested warranty. Versico is not responsible for local and state building code requirements, and any discrepancy should be clarified by the design professional of record. Refer to Versico's most currently published specifications and details for additional information.

\*\*Membrane adhesive bead spacing: Maximum 4" on center bead spacing.



A SINGLE SOURCE FOR SINGLE-PLY ROOFING

800.992.7663 • www.versico.com



Insulation Fastening Rates 25-and 30-year Warranties

Top layer of insulation / coverboard	4' x 8' board <sup>2</sup>	Bead adhesive spacing for 4' x 4' boards <sup>1, 2, 4</sup>	
		Field	Field Perimeter
Minimum 1.5"-thick VersiCore MP-H Polyiso (25 psi), SecurShield Polyiso (25 psi), or SecurShield HD Composite Polyiso Insulation	16	6" o.c.	6" o.c.
Minimum 2.0"-thick VersiCore MP-H Polyiso (25 psi), SecurShield Polyiso (25 psi), or SecurShield HD Composite Polyiso Insulation	16	6" o.c.	6" o.c.
½"-thick SecurShield HD Plus <sup>3</sup> or DuraStorm	16	6" o.c.	6" o.c.
Minimum ¼"-thick DensDeck Prime or SECUROCK Gypsum-Fiber Roof Board <sup>3</sup>	16	6" o.c.	6" o.c.
½"-thick SecurShield HD, or Recovery Board <sup>3</sup>	16	6" o.c.	6" o.c.
1½" DuraFaceR	17	6" o.c.	6" o.c.
OPTIM-R	N/A	6" o.c.	6" o.c.
DeckVent	16	N/A	N/A

<sup>1</sup> Structural concrete: Field 12" o.c. perimeter 6" o.c.

<sup>2</sup> For buildings 51-100' tall, enhance a minimum 12'-wide perimeter with 50% more insulation fasteners and plates.

<sup>3</sup> Cover boards must be installed over a minimum 1"-thick Versico approved insulation. (Steel Decks only).

<sup>4</sup> Cementitious Wood Fiber & Gypsum - Full Spray (FS)



A SINGLE SOURCE FOR SINGLE-PLY ROOFING

800.992.7663 • www.versico.com