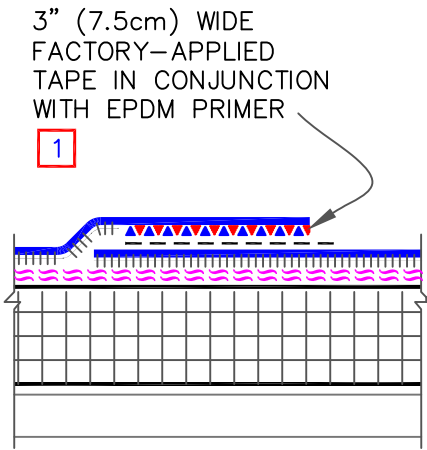
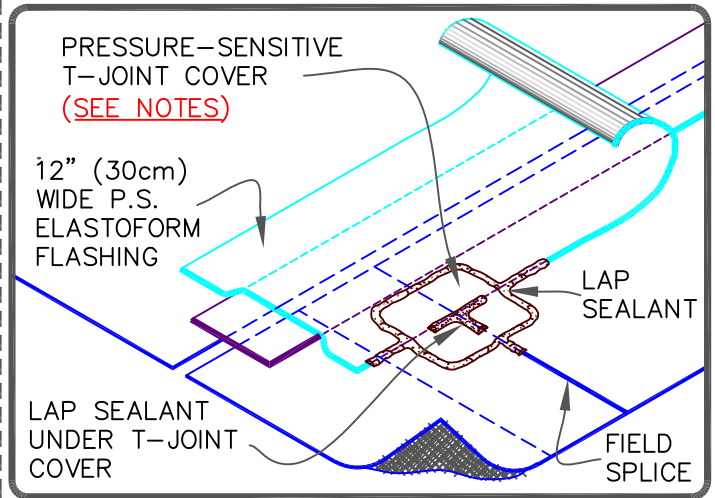
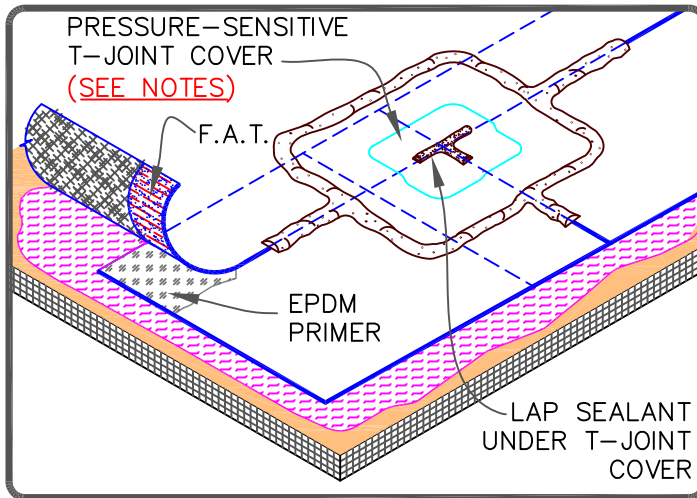
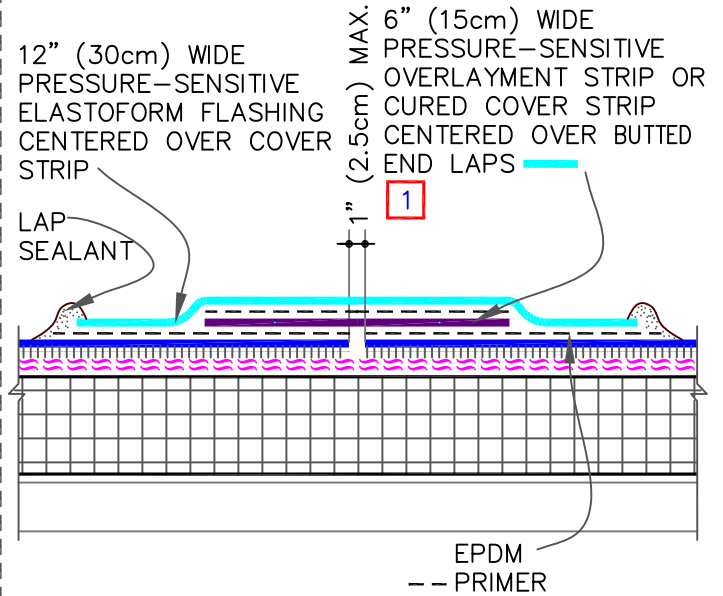


MEMBRANE SPLICE



END LAP SPLICE



NOTES:

1. APPLY EPDM PRIMER TO MEMBRANE SURFACES PRIOR TO INSTALLING PRESSURE-SENSITIVE FLASHING AND/OR FACTORY APPLIED SecurTAPE.
2. APPLY LAP SEALANT ALONG THE EDGE OF THE MEMBRANE SPLICE (UNDER THE 6"x6"(15cm X 15cm) T-JOINT COVER) COVERING THE EXPOSED SPLICE TAPE 1/2" (1.5cm) IN EACH DIRECTION FROM THE SPLICE INTERSECTION.
3. ALL EPDM SPLICE INTERSECTIONS MUST BE OVERLAID WITH TWO LAYERS OF PRESSURE-SENSITIVE ELASTOFOM FLASHING. THE BOTTOM LAYER SHALL BE 6"x6" (15cm X 15cm) COVERED WITH A 12"x12" (30cm X 30cm) TOP LAYER (30cm X 30cm). BOTH LAYERS SHALL BE CENTERED OVER THE SPLICE INTERSECTION AND SEALED WITH CONTINUOUS LAP SEALANT, AS SHOWN.



AFX EPDM MEMBRANE SPLICE  
(25-YEAR WARRANTIES)

MAXIMUM WARRANTY: 25 YEARS



DETAIL NO.

AFX-2A.1

AFX ADHERED