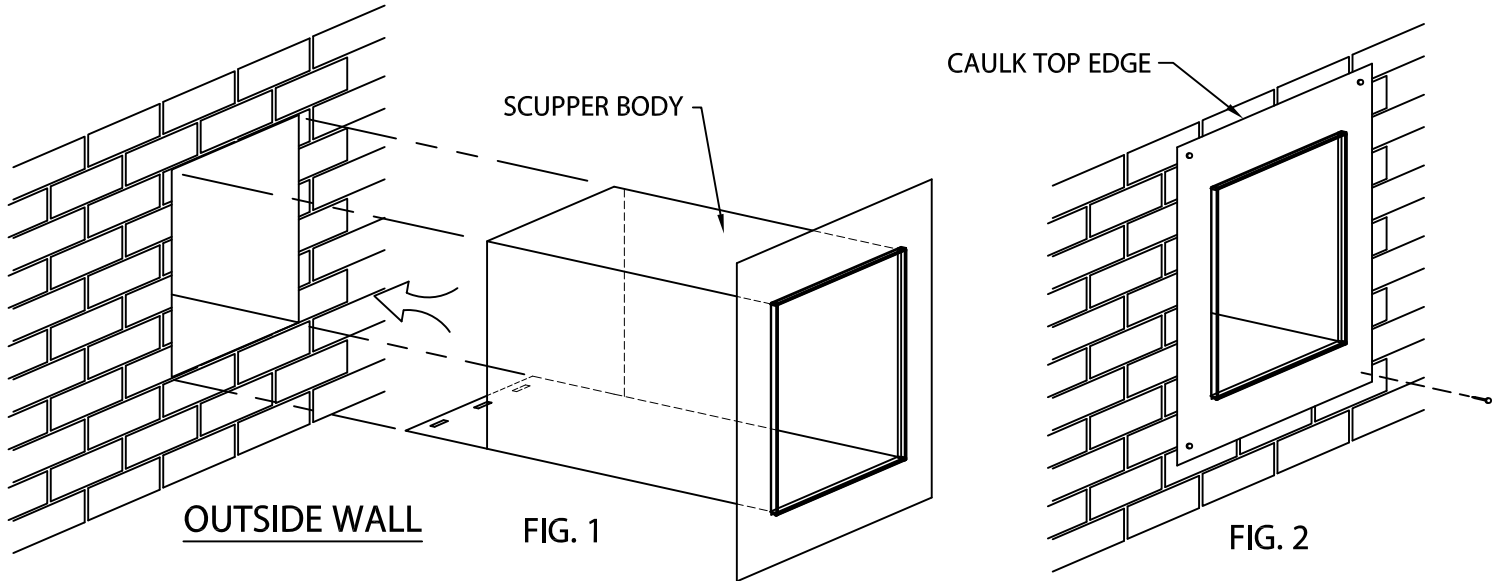


VERSITRIM THRU-WALL SCUPPER

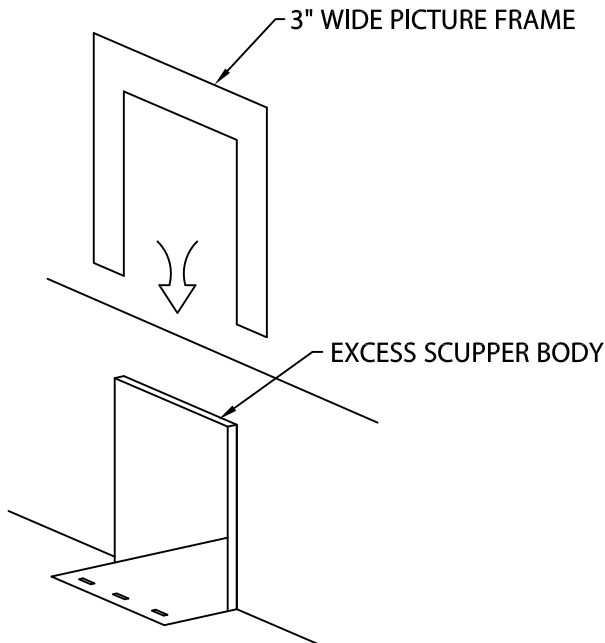
INSTALLATION INSTRUCTIONS

NOTE: SAME INSTRUCTIONS APPLY TO THRU-WALL SCUPPERS WITH COLLECTOR BOXES.



STEP 1 - SCUPPER BODY

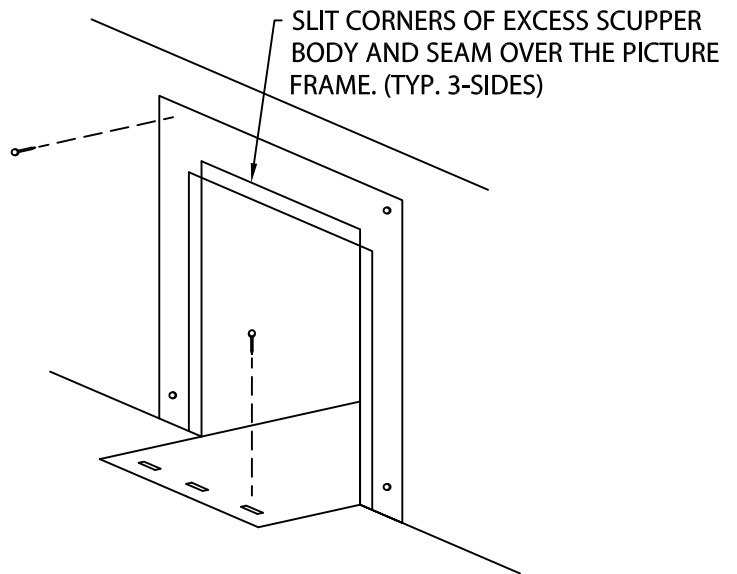
INSTALL SCUPPER BODY (FIG. 1) FROM THE OUTSIDE FACE OF THE WALL BY SLIDING BODY THROUGH THE WALL OPENING. WHEN THE SCUPPER IS IN POSITION (FIG. 2) FASTEN OUTSIDE FACE OF SCUPPER TO THE WALL USING APPROPRIATE FASTENERS. BE SURE TO CAULK THE TOP EDGE OF FLANGE TO PREVENT WATER ENTRY.



INSIDE WALL FACE

STEP 2 - PICTURE FRAME INSTALL

INSTALL THE 3-SIDED PICTURE FRAME TO INSIDE FACE OF THE WALL BY SIDING FRAME STRAIGHT DOWN ONTO SCUPPER FLUSH WITH INSIDE FACE OF THE WALL.



STEP 3 - COMPLETION

FASTEN PICTURE FRAME TO INSIDE WALL USING APPROPRIATE FASTENERS. SLIT THE CORNERS OF SCUPPER BODY AND SEAM OVER ONTO PICTURE FRAME. FASTEN THE SCUPPER BODY FLANGE TO ROOF. ROOFER TO FLASH-IN FLANGE TO ROOF MEMBRANE.