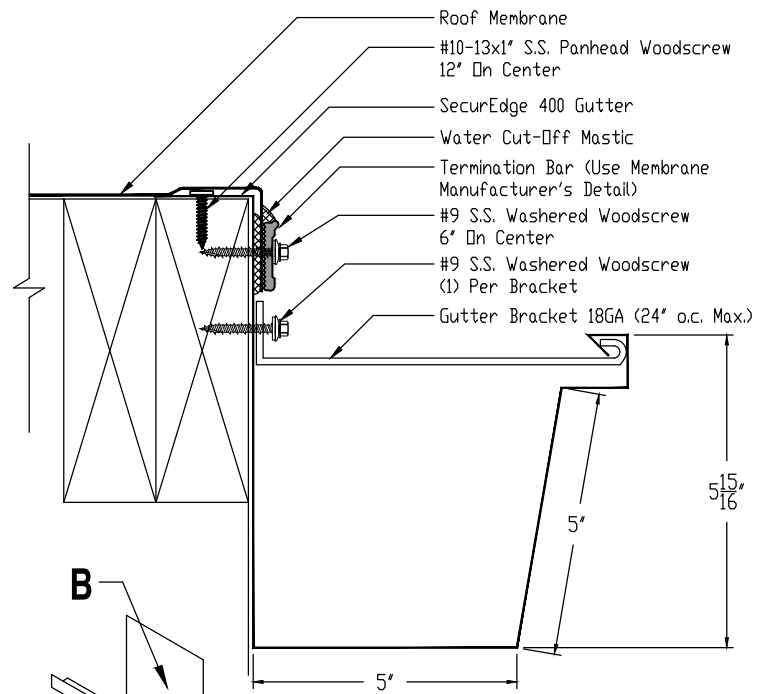
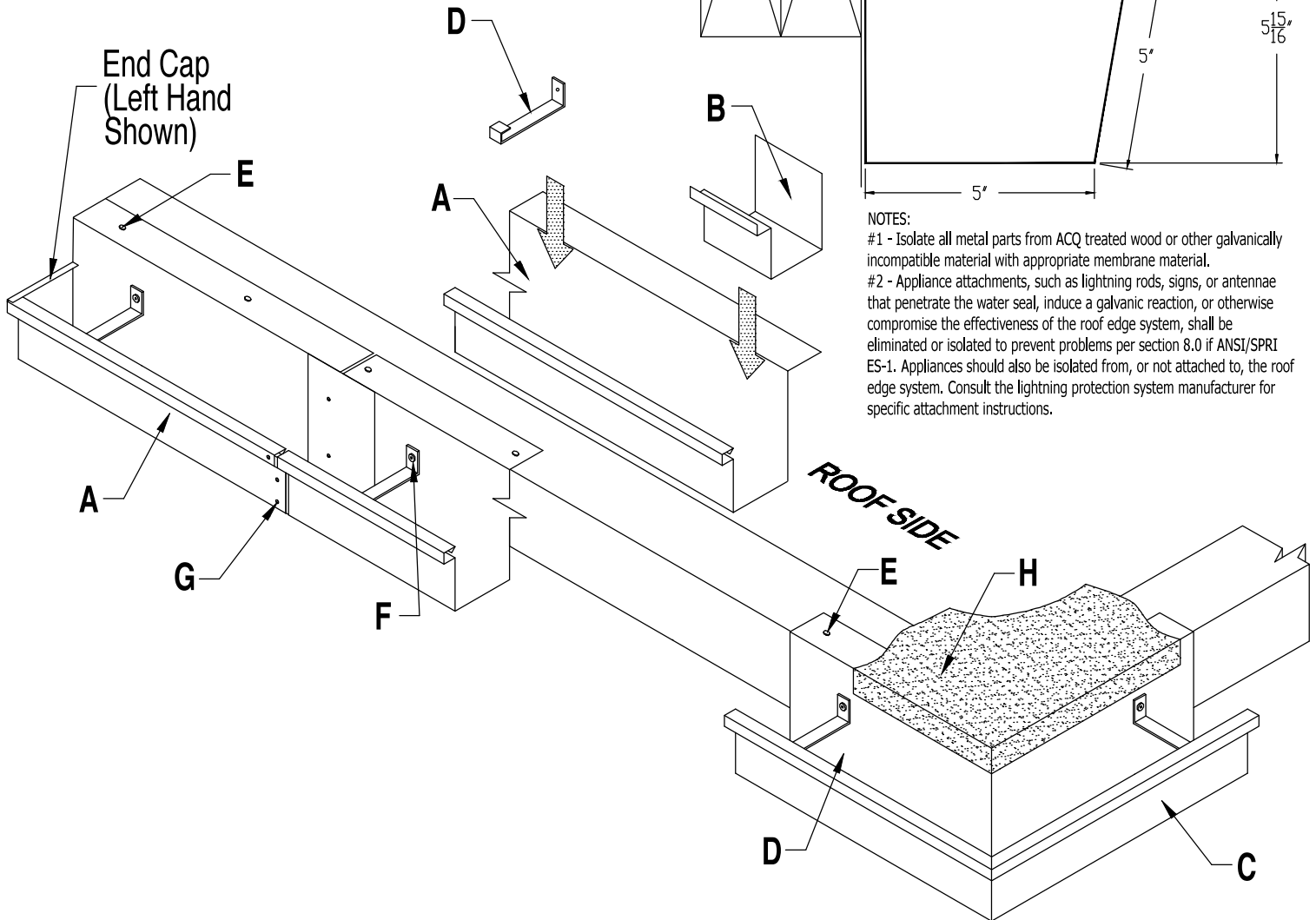


Installation Guide for SecurEdge 400 Gutter



NOTES:
 #1 - Isolate all metal parts from ACQ treated wood or other galvanically incompatible material with appropriate membrane material.
 #2 - Appliance attachments, such as lightning rods, signs, or antennae that penetrate the water seal, induce a galvanic reaction, or otherwise compromise the effectiveness of the roof edge system, shall be eliminated or isolated to prevent problems per section 8.0 if ANSI/SPRI ES-1. Appliances should also be isolated from, or not attached to, the roof edge system. Consult the lightning protection system manufacturer for specific attachment instructions.



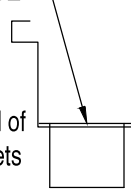
- A. SecurEdge 400 Gutter Flashing**
10'-0" Std. Lengths (20'-0" Max.)
- B. SecurEdge 400 Gutter Splice Plate**
10'-0" Lengths
- C. SecurEdge 400 Gutter Miter**
(Outside Corner Shown)
- D. SecurEdge 400 Gutter Bracket**
18GA (24" o.c. Max.)

- E. #10-13x1" S.S. Panhead Woodscrew**
at 12" o.c. (Included and Required)
- F. #9-13x1-1/2" S.S. Washered Screw**
1 per Bracket (Included and Required)
- G. Pop Rivet**
- H. Approved Roofing Membrane**
(By Installer)

DOWNSPOUT OUTLET TUBE

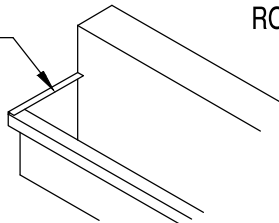
STEP 1: Installing Downspout Outlet Tubes

Determine outlet locations and field cut hole in the gutter bottom. Insert Outlet Tube in hole, apply a continuous bead of Tube Sealant to the flange and fasten with two (2) Pop Rivets in each flange from outside the gutter bottom.



End Cap

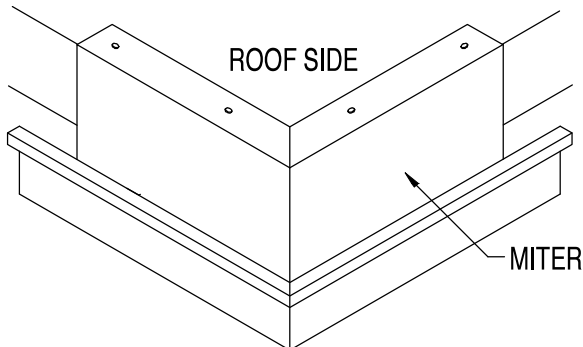
ROOF SIDE



STEP 2: Installing SecurEdge 400 Gutter End Caps

Locate the End Caps for the appropriate gutter end. Place the End Cap into position and secure to gutter with Pop Rivets. Apply a continuous bead of Tube Sealant around the inside flange of the End Cap.

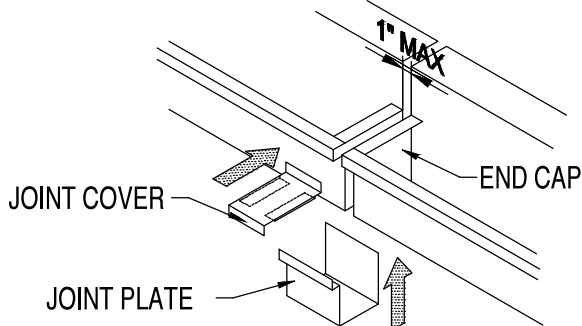
ROOF SIDE



MITER

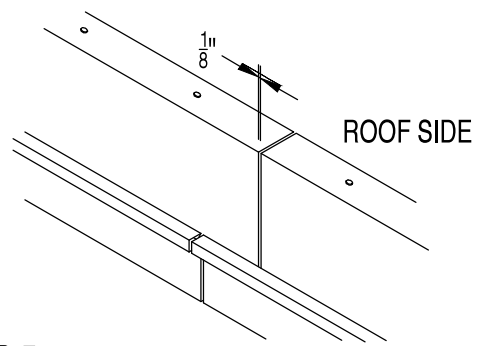
STEP 3: Installing SecurEdge 400 Gutter Miters

Locate the Miters for the appropriate locations. Secure the Miter to the roof edge using the #10-13x1" S.S. Panhead Woodscrews (provided) every pre-punched hole or 12" o.c. maximum.



STEP 4: Installing Expansion Joints (If Required)

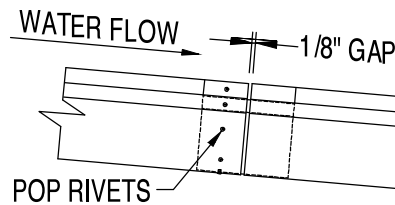
Install expansion joint in location as specified on roof plans. An expansion joint will consist of two (2) pre-fabricated End Caps, one (1) Joint Plate, and one Joint Cover. Gap the End Caps at 1" maximum. Slide the Joint Plate onto the Gutter, then secure with Pop Rivets to one of the gutter ends. Place the Joint Cover over the End Cap lips and secure with Pop Rivets to only one of the gutter ends.



ROOF SIDE

STEP 5: Installing SecurEdge 400 Gutter Straight Lengths

Begin from the End Caps/Miters working inward to the center. Allow $\frac{1}{8}$ " gap between SecurEdge 400 Gutter sections for thermal expansion. Secure gutter to roof with #10-13x1" S.S. Panhead Woodscrews (Provided) at 12" on center in each pre-punched hole.



POP RIVETS

FIGURE #1

POP RIVETS

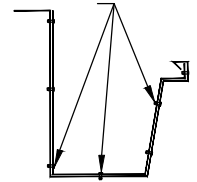
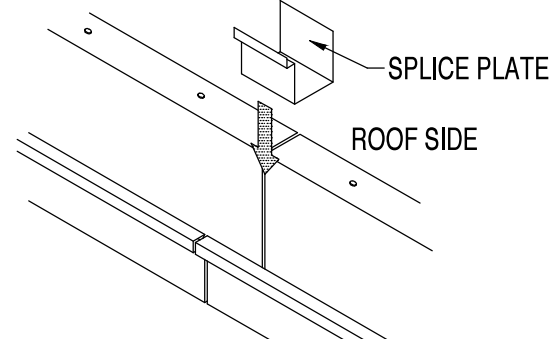


FIGURE #2

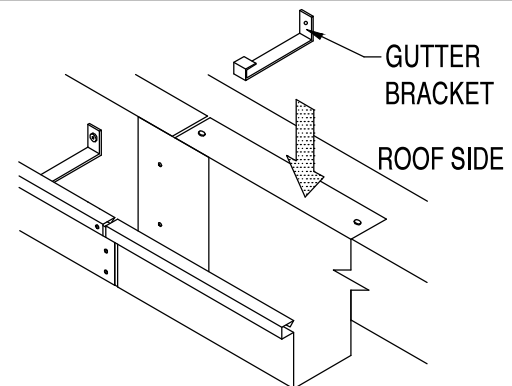


SPLICE PLATE

ROOF SIDE

STEP 6: Installing SecurEdge 400 Gutter Joint Splices

Locate the joint splice and apply a continuous bead of Tube Sealant to both sides of the joint inside the gutter. Slide the Splice Plate down into the SecurEdge 400 Gutter and secure with Pop Rivets on the up slope side of the splice as shown in Figure #1 and #2.



GUTTER BRACKET

ROOF SIDE

STEP 7: Installing SecurEdge 400 Gutter Brackets

Hook the top part of the SecurEdge 400 Gutter Bracket into the face lip of the gutter. Rotate the bracket down into the gutter and secure the bracket through the gutter, into the wood nailer, with one (1) #9-13x1 $\frac{1}{2}$ " S.S. Woodscrew. Install brackets at 24" on center maximum. Install roof membrane into Gutter per roof manufacturer's instructions.