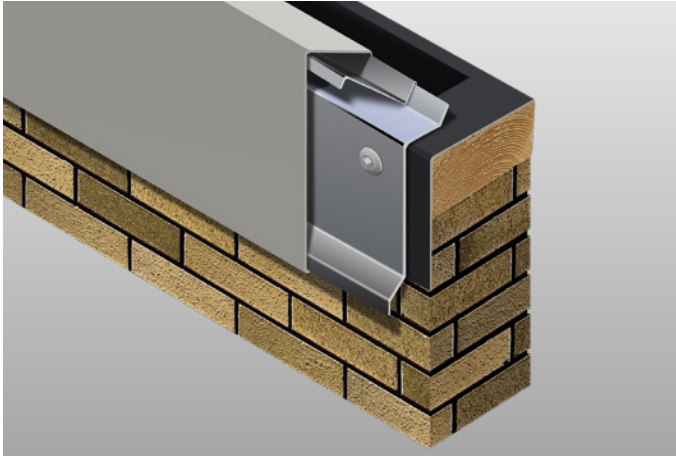


VersiTrim™ One Fascia



Overview

Versico's VersiTrim One Fascia was designed with the contractor in mind, combining a highly engineered and tested product with quick-to-ship convenience and economical pricing. VersiTrim One Fascia is manufactured and tested to provide the securement strength required for your building and protects against high wind events, saving your building from costly damage.

Features and Benefits

- Manufactured in 12' lengths, saving 20 – 40% in material handling when compared to 10' or 8' material
- Pre-punched fastening holes ensure proper attachment of provided fasteners
- No need for the stripping-in or heat-welding that is typical with other systems
- Can be used on parapet wall instead of coping, saving up to 67% in materials
- Simple snap-on covers with no crimping necessary
- Factory-fabricated miters and accessories ensure a proper fit and provide a cleaner appearance while eliminating the need for field fabrication
- ANSI/SPRI/FM 4435/ES-1 Tested to comply with International Building Code requirements
- Factory Mutual Approved
- Unique design allows for covers to be manufactured in 24 gauge steel, 22 gauge steel, .040", .050", and .063" aluminum

Installation

For complete installation instructions, refer to Versico specifications and details, or visit www.metalera.com/brands/versico.

Finishes

- Natural mill-finish aluminum
- Pre-finished Kynar® standard and low gloss
- Premium metallic Kynar
- Anodized aluminum – clear, dark bronze, and black
- Drexlume – Acrylic coated galvalume
- HDG90 Galvanized Steel
- Custom post-painted Kynar finishes available upon request
- Please consult color chart for color and gauge/thickness availability, non stock combinations require minimum order and extended lead time

Quality Assurance

Tested per ANSI/SPRI/FM 4435/ES-1 Test Methods RE-1 and RE-2 for evaluation of membrane securement strength. Fascia shall be certified by Versico to design pressures as indicated in current edition of ANSI/SPRI ED-1 Design Standard for Edge Systems Used with Low Slope Roofing Systems. Meets International Building Code requirements. Factory Mutual approved for wind uplift protection.

Technical Services

Engineering and shop drawings, as well as long-form specifications and CAD details, are available from Versico. Product samples, detail sheets, color chips, and color charts are also available for submittal packages. For personal assistance with questions or submittals, contact Versico or your local manufacturer's representative.

Specifications

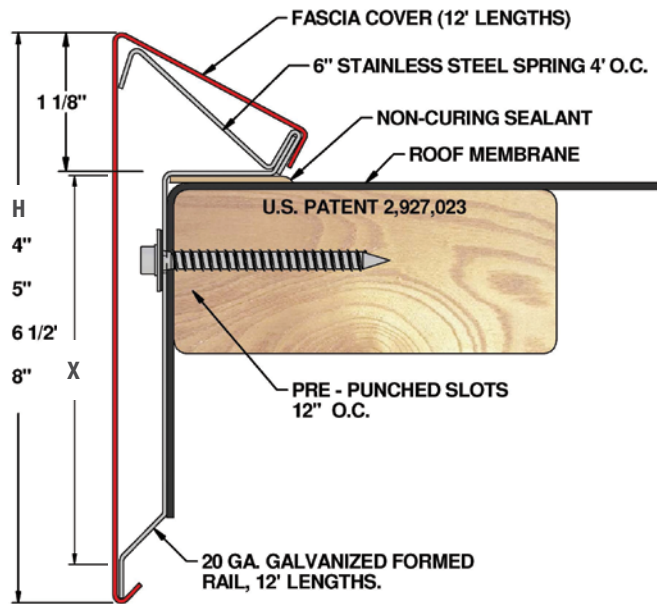
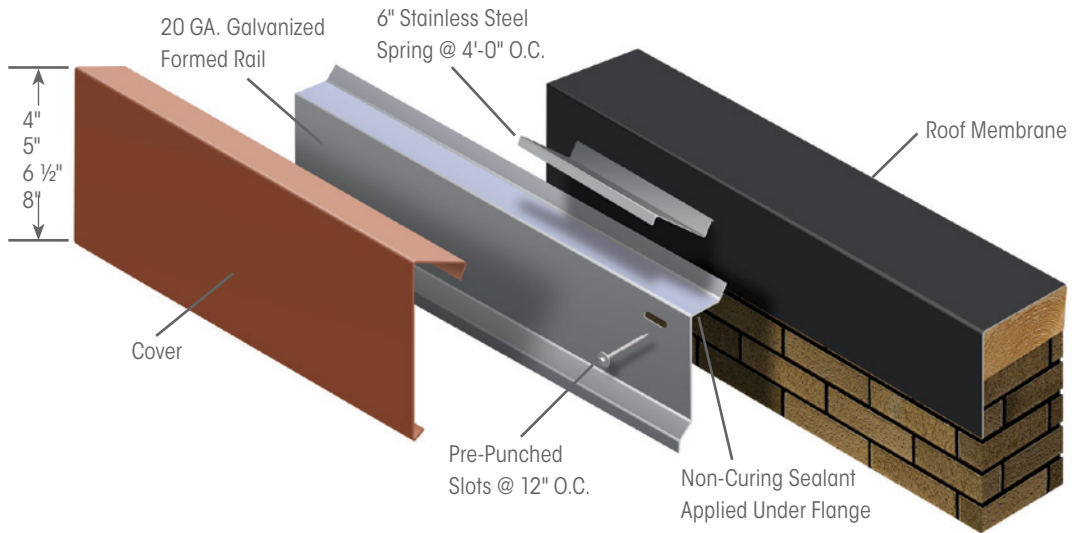
Fascia Model	'H' DIM	'X' DIM	No. of Nailers Covered
ESE-S40	4" (102 mm)	2 7/8" (73 mm)	1
ESE-S50	5" (127 mm)	3 7/8" (102 mm)	2
ESE-S65	6 1/2" (165 mm)	5 3/8" (140 mm)	3
ESE-S80	8" (203 mm)	6 7/8" (178 mm)	4

Warranty

Versico's VersiTrim One Fascia is warranted in conjunction with the roofing system, in an edge to edge warranty up to 30 years with 100 mph windspeeds. A non-prorated 35 year Kynar finish warranty is also available.



VersiTrim One Fascia



A SINGLE SOURCE FOR SINGLE-PLY ROOFING

800.992.7663 • www.versico.com