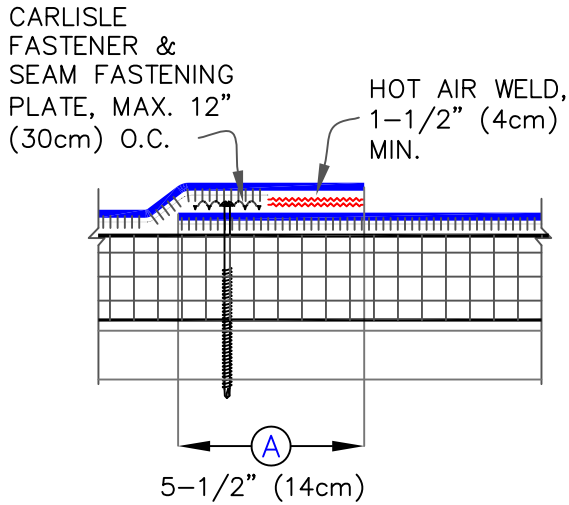
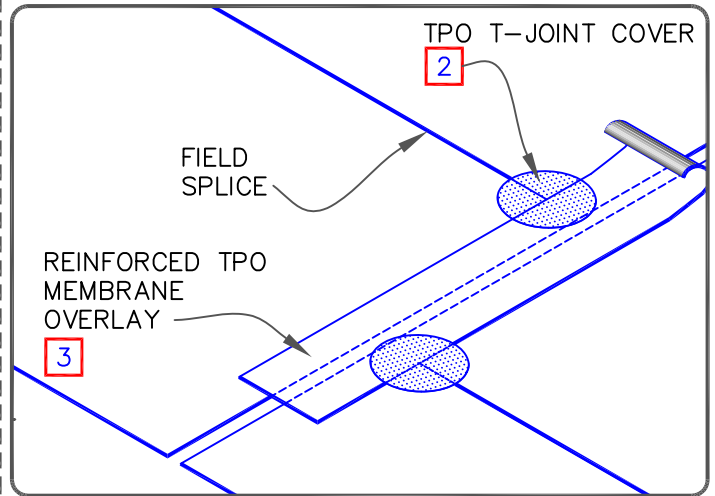
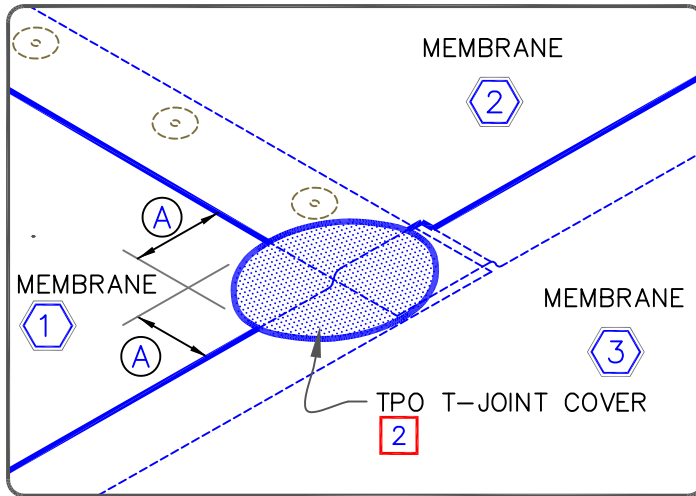
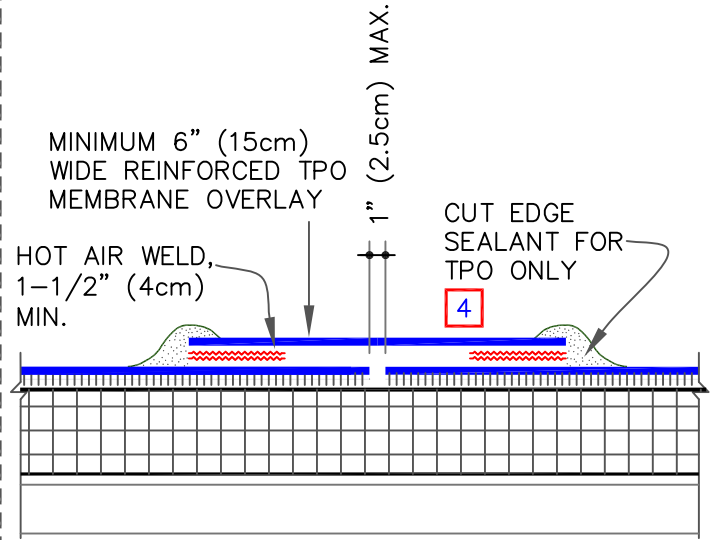


MEMBRANE SPLICE



END LAP SPLICE



NOTES:

1. REFER TO CARLISLE SPECIFICATIONS FOR ACCEPTABLE CARLISLE FASTENER/PLATE AND FASTENING DENSITY.
2. WHEN USING 135 OR 155-MIL AFX TPO MEMBRANE, APPLY A 4-1/2" (11cm) DIAMETER TPO "T-JOINT" COVER AT ALL FIELD SPLICE INTERSECTIONS.
3. WHEN USING 60 OR 80 MIL TPO REINFORCED MEMBRANE OVERLAY, INTERSECTIONS BETWEEN SPLICES MUST BE OVERLAID WITH A 4-1/2" (11cm) DIAMETER TPO "T-JOINT" COVER, AS SHOWN.
4. APPROXIMATELY 1/8" (0.5cm) DIAMETER BEAD OF CUT-EDGE SEALANT IS REQUIRED ON CUT EDGES OF REINFORCED TPO MEMBRANE.

	<p>AFX TPO/KEE HP MEMBRANE</p>	<p>AFX TPO MECHANICALLY FASTENED MEMBRANE & END LAP SPLICES</p>		<p>DETAIL NO.</p>
	<p>APPROVED SUBSTRATE</p>			<p>AFX-MF2</p>
<p>SEE NOTE(S)</p>		<p>For additional information, refer to Specifications</p>	<p>MECHANICALLY FASTENED</p>	