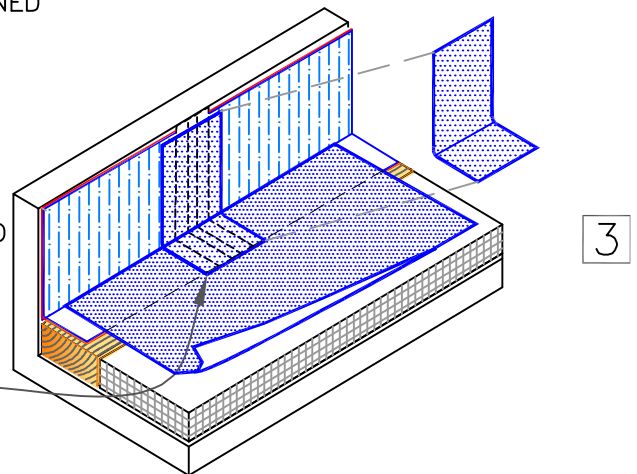
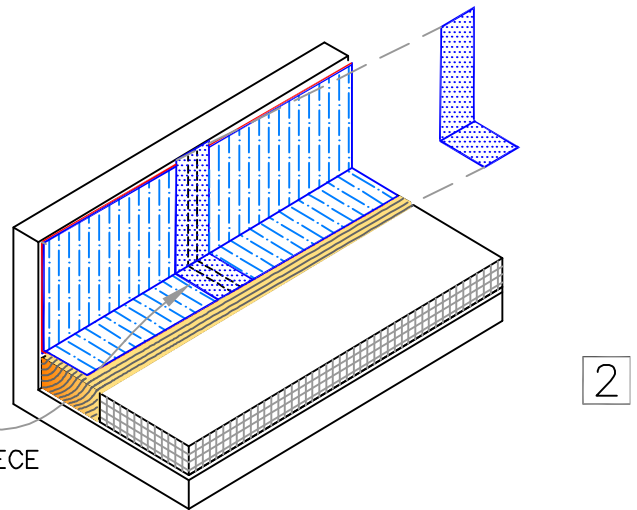


SEQUENCE:

1. 3" (7.6cm) REINFORCED MEMBRANE STRIPPING.
2. FIELD MEMBRANE.
3. TOP 6" (15.2cm) NON-REINFORCED MEMBRANE STRIPPING.



NOTES:

1. PLACE A LAYER OF PVC MEMBRANE UNDER THE METAL CAP TO PROTECT AGAINST MOISTURE INFILTRATION AT JOINTS.
2. FASTEN COATED METAL FLASHING TO WOOD NAILERS USING 1-1/2" (4cm) MIN. RING SHANK NAILS SPACED 6" (15cm) ON CENTER AND STAGGERED APPROX. 1/2" (1.5cm).
3. SEE [TPC-15.3](#) FOR ADDITIONAL INFORMATION.



PVC COATED METAL WALL FLASHING

MAXIMUM WARRANTY: 30 YEARS

- PVC/PVC KEE MEMBRANE
- APPROVED SUBSTRATE
- SEE NOTE
- PS (PRESSURE SENSITIVE)

TPC (Thermoplastic Common Details)

TPC-12.3