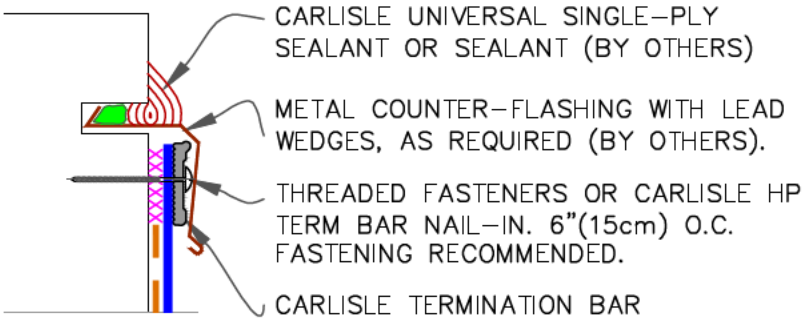
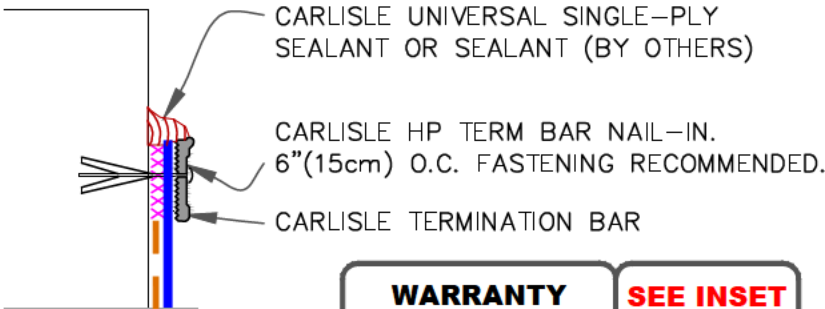


**9A MECHANICAL TERMINATION WITH COUNTER FLASHING**



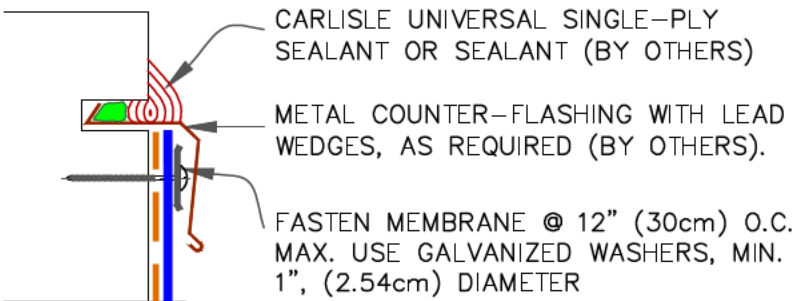
**WARRANTY UP TO 30 YEARS**    **SEE INSET A**

**9B MECHANICAL TERMINATION**



**WARRANTY UP TO 20 YEARS**    **SEE INSET A**

**9C COUNTER FLASHING TERMINATION**



**WARRANTY UP TO 10 YEARS**

**INSET A**

**NOTES:**

1. APPLY ON HARD SMOOTH SURFACE ONLY; NOT FOR USE ON EXPOSED WOOD.
2. DO NOT WRAP TERMINATION BAR AROUND CORNERS.
3. DETAIL **9D** MUST BE USED AT VERTICAL JOINTS IN PANEL WALLS.

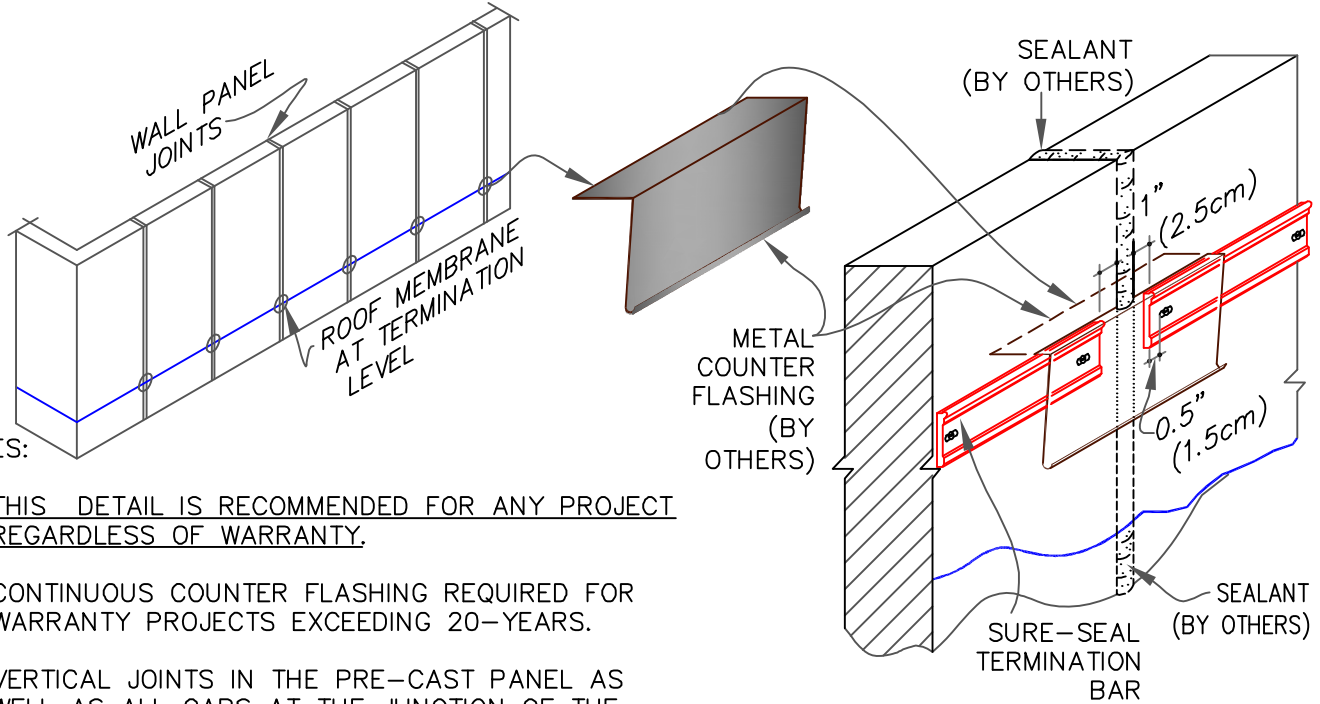
**NOTE:**

1. WHEN MECHANICAL FASTENERS ARE USED TO PENETRATE THE METAL COUNTER-FLASHING, USE EPDM WASHERS, APPLY WATER CUT-OFF MASTIC UNDER THE COUNTER-FLASHING OR CAULK THE FASTENER HEADS.

— — — — — APPLICABLE BONDING ADHESIVE      **xxx** WATER CUT-OFF MASTIC— MUST BE HELD UNDER CONSTANT COMPRESSION.

	MEMBRANE TERMINATIONS (PAGE 1 OF 3)		DETAIL NO. <b>U-9</b>
	WARRANTY AS NOTES FOR EACH DETAIL		U (Universal Detail)

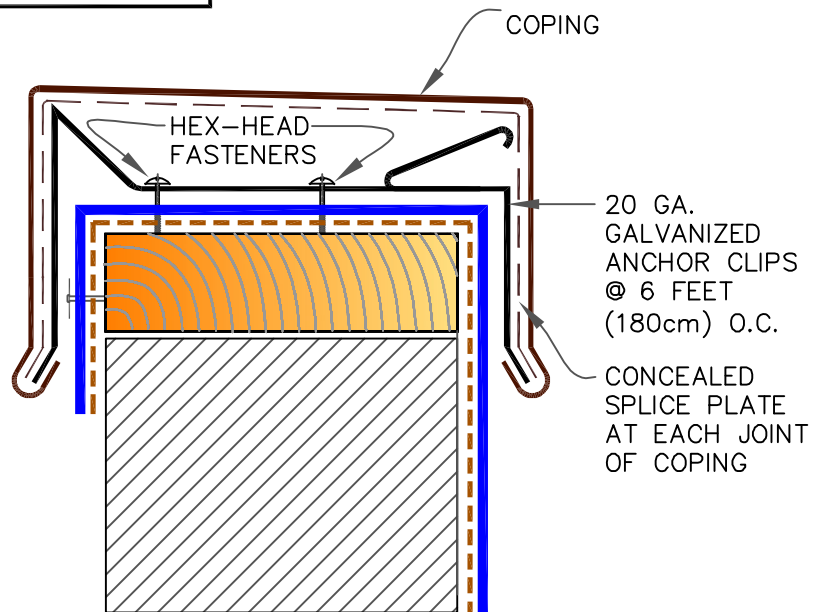
9D MECHANICAL TERMINATION AT VERTICAL JOINTS



NOTES:

1. THIS DETAIL IS RECOMMENDED FOR ANY PROJECT REGARDLESS OF WARRANTY.
2. CONTINUOUS COUNTER FLASHING REQUIRED FOR WARRANTY PROJECTS EXCEEDING 20-YEARS.
3. VERTICAL JOINTS IN THE PRE-CAST PANEL AS WELL AS ALL GAPS AT THE JUNCTION OF THE TILT-UP PANEL AND ROOF DECK MUST BE FULLY SEALED TO PREVENT AIR INFILTRATION.
4. APPLY ON HARD SMOOTH SURFACE ONLY.

9E SecurEdge & SecurEdge 300 COPINGS



NOTES:

1. MEMBRANE MUST BE EXTENDED AT CORNERS TO PROVIDE COMPLETE COVERAGE OF THE TOP WALL SURFACE. REFER TO [3D DETAIL](#) ON [DETAIL U-9F](#).
2. REFER TO [SecurEdge COPING INSTALLATION INSTRUCTION MANUAL](#) FOR STEP-BY-STEP INSTRUCTION PROCEDURES.

MAXIMUM WARRANTY: 30 YEARS

--- APPLICABLE BONDING ADHESIVE

xxx WATER CUT-OFF MASTIC- MUST BE HELD UNDER CONSTANT COMPRESSION.



MEMBRANE TERMINATIONS  
(PAGE 2 OF 3)

WARRANTY AS NOTES FOR EACH DETAIL

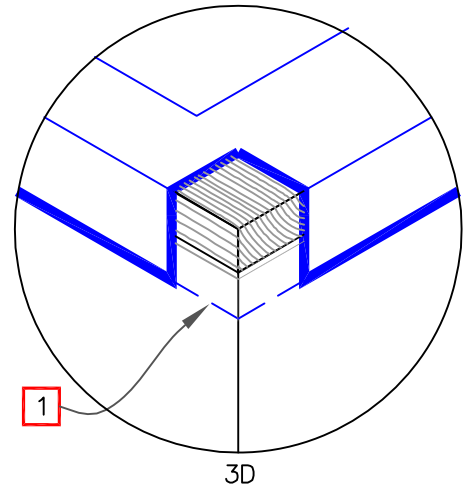
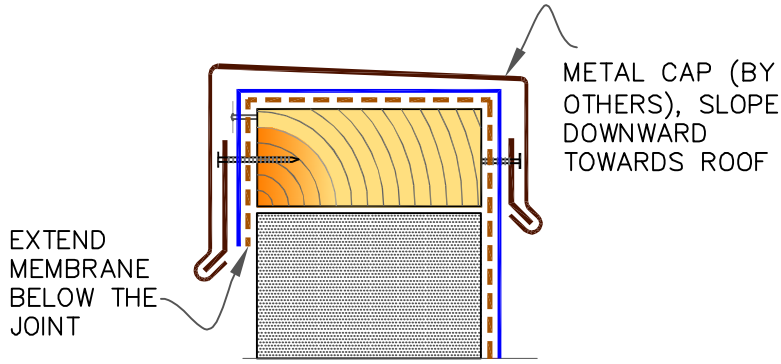


DETAIL NO.

U-9

U (Universal Detail)

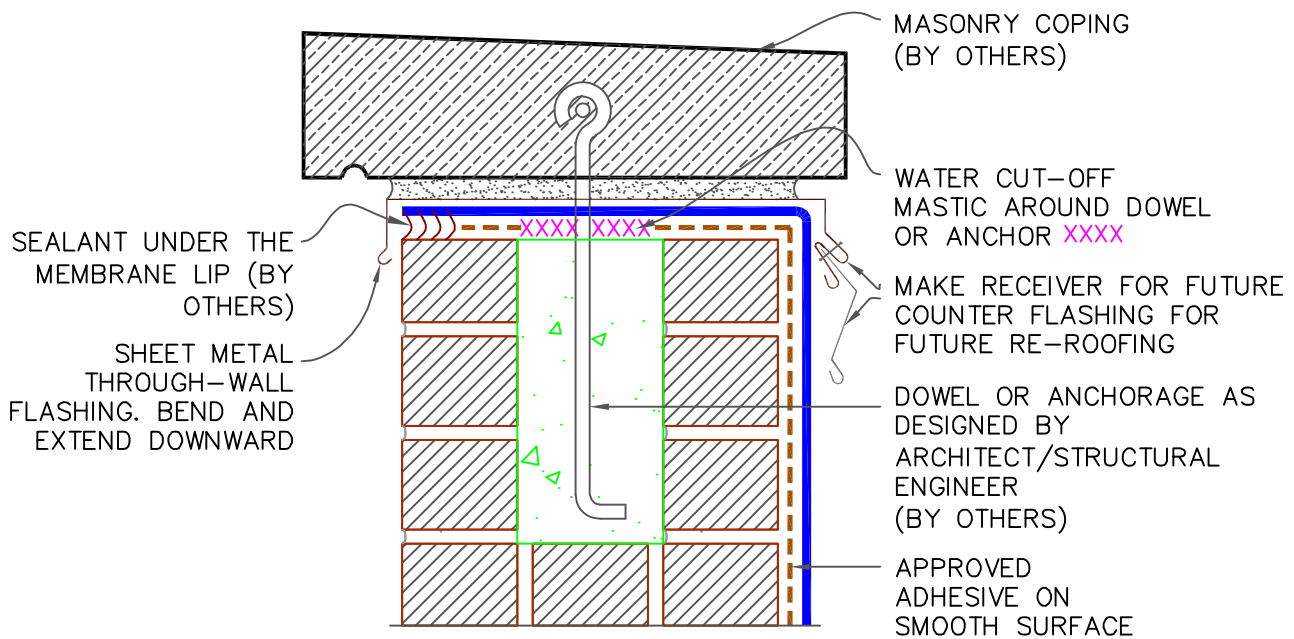
9F SHEET METAL COPING (BY OTHERS)



NOTES:

1. MEMBRANE MUST BE EXTENDED TO CORNERS TO PROVIDE COMPLETE COVERAGE OF THE TOP WALL SURFACE.
2. WARRANTY AS PROVIDED (BY OTHERS).

9G MASONRY COPINGS (BY OTHERS)



MAXIMUM WARRANTY: 30 YEARS

--- APPLICABLE BONDING ADHESIVE

xxx WATER CUT-OFF MASTIC- MUST BE HELD UNDER CONSTANT COMPRESSION.



MEMBRANE TERMINATIONS  
(PAGE 3 OF 3)

MAXIMUM WARRANTY: 30 YEARS



DETAIL NO.

U-9

U (Universal Detail)