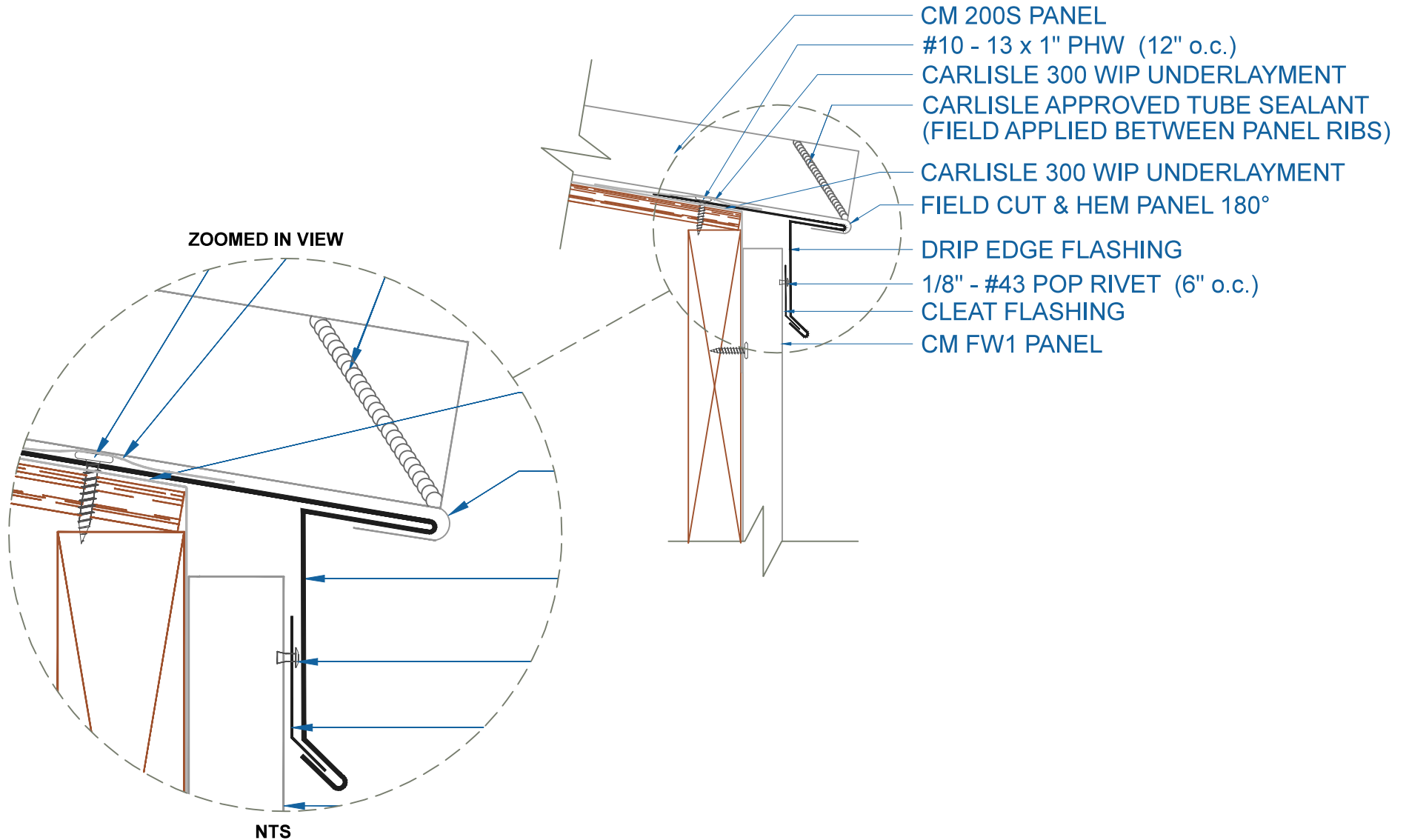


CM 200S - PLYWOOD



DRIP EDGE w/FLUSH PANEL

SCALE: 3" = 1'-0"

CARLISLE
METAL PRODUCTS

EFFECTIVE DATE: 08-05-2013
SUBJECT TO CHANGE WITHOUT NOTICE