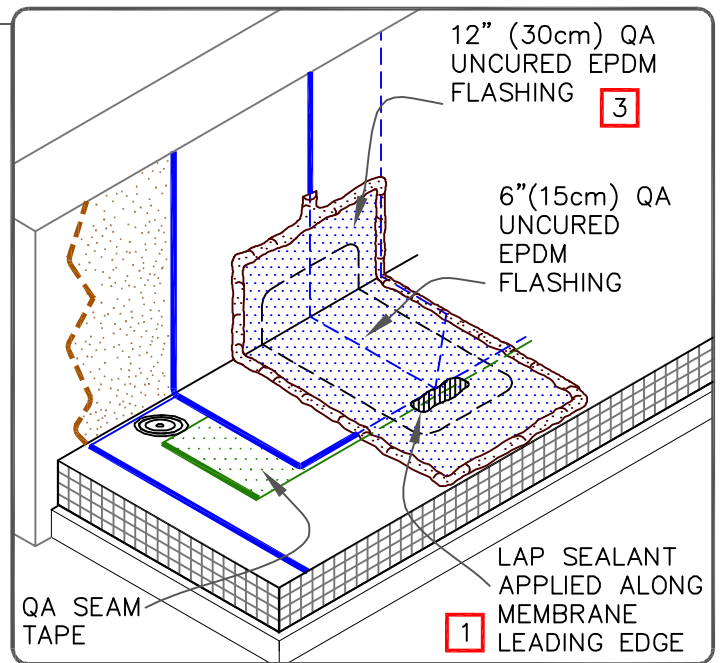
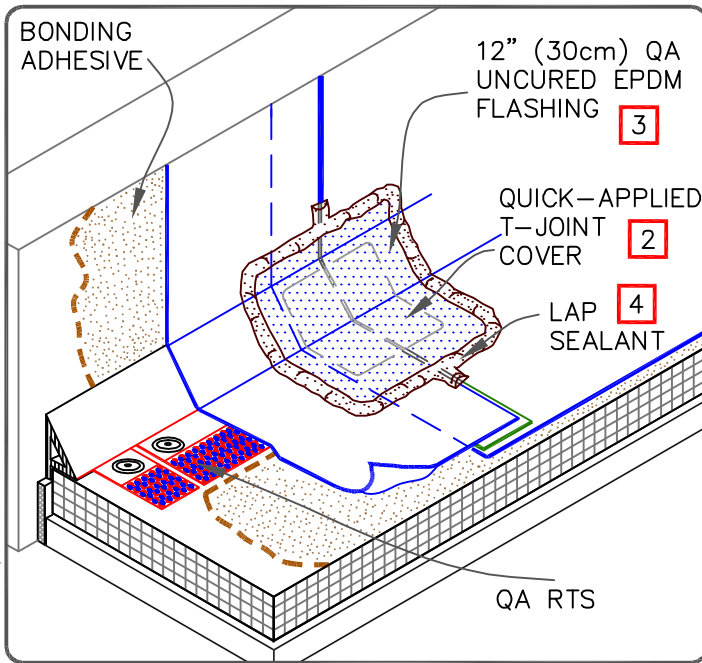
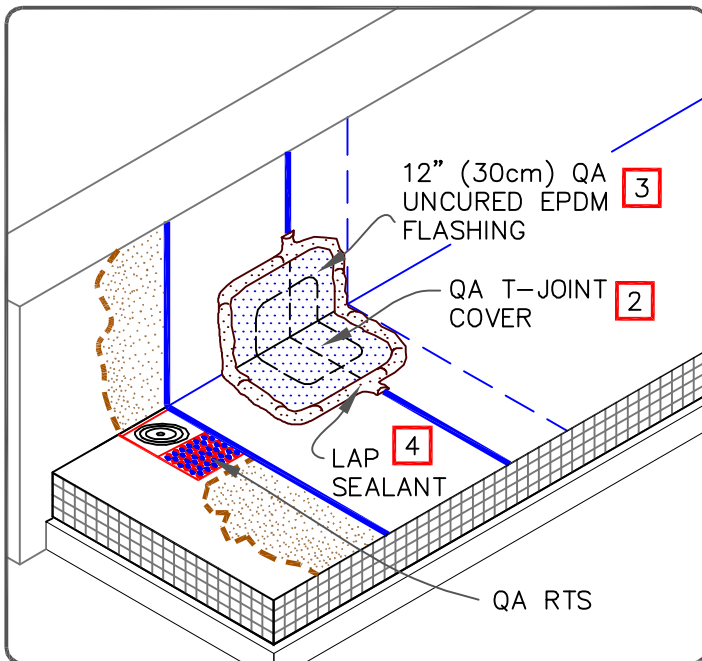


CONTINUOUS WALL FLASHING

SEPARATE WALL FLASHING



CONTINUOUS WALL FLASHING



QA (QUICK-APPLIED)

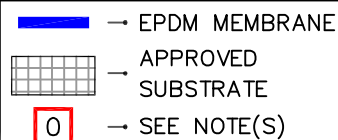
NOTES:

1. APPLY LAP SEALANT ALONG THE LEADING EDGE OF THE MEMBRANE SPLICE (UNDER THE QUICK-APPLIED UNCURED FLASHING) COVERING THE EXPOSED SPLICE TAPE APPROXIMATELY 1/2" (1.5cm) BEYOND THE SPLICE EDGE.
2. QUICK-APPLIED T-JOINT COVER OR 6" (15cm) WIDE QUICK-APPLIED FLASHING, WITH EPDM PRIMER, MUST BE CENTERED OVER FIELD SPLICES AT THE ANGLE CHANGE.
3. PROJECTS WITH 30-YEAR WARRANTY OR WHEN USING 90-MIL MEMBRANE REQUIRE FIELD SPLICES TO BE OVERLAID WITH TWO LAYERS OF QUICK-APPLIED UNCURED EPDM FLASHING. THE BOTTOM LAYER SHALL BE 6" (15cm) WIDE COVERED WITH A 12" (30cm) WIDE TOP LAYER. BOTH LAYERS SHALL BE CENTERED.
4. SEAL EXPOSED LAYER WITH LAP SEALANT.

MAXIMUM WARRANTY: 30 YEARS



EPDM MEMBRANE SPLICES AT ANGLE CHANGE



VersiGard COMMON DETAILS (EPDM)

VGC-2.3