

SecurEdge™ METAL
Edge Metal Products



Engineered Commercial Roof Edge Systems

Experience the Carlisle Difference

In the 1960s, Carlisle SynTec Systems transformed the commercial roofing industry with the introduction of its Sure-Seal® EPDM single-ply membrane. Since that time, Carlisle has earned a reputation for providing the most dependable and longest-lasting single-ply roof systems on the market.

Today, Carlisle's Product offering has grown vastly to include Sure-Weld® TPO, Sure-Flex™ PVC, and FleeceBACK® membranes, as well as a full line of labor-saving variants and accessories. Carlisle also offers Roof Garden components, coatings, skylights, and pavers, and manufactures its own polyiso and EPS insulation, adhesives, primers, and membrane cleaners.

In 2019 Carlisle began to offer edge metal to its wide assortment of construction materials. The SecurEdge Series of prefabricated edge metal products includes Fascia, Coping, Drip Edges, Gravel Stops, Gutters and Wood Nailer Alternatives. Along with all these core metal edge products Carlisle also offers accessories to accompany core products and custom products so there is an option for every building owner.

Carlisle roofs have been installed on a wide range of buildings around the world, including schools, hospitals, warehouses, and cold-storage facilities. With billions of square feet of roofing materials sold and installed, Carlisle continues to lead the industry by providing innovative products, services, and warranty options. Whatever your roofing needs, Carlisle has a system – and a solution – for you.

SELECTING THE IDEAL PERIMETER EDGE SYSTEM FOR YOUR BUILDING

The importance of a properly designed roof edge system should not be underestimated. On average, the roof edge typically represents only 1% of a building's overall cost. However, improper design and installation of the roof edge can have catastrophic consequences. Selecting a properly designed and tested metal edge system can diminish the risks and result in a roof system that stands the test of time.

- » A quality roof edge system will resist the inward pull of the roof system due to expansion and contraction.
- » A quality roof edge system will resist the wind uplift forces that can peel the edge system off the building.

ES-1 COMPLIANT AND CERTIFIED

Regardless of what level of wind resistance is required, Carlisle has an edge metal system for the job. Carlisle's ES-1 compliant edge metal systems are made of premium-quality, heavy-gauge materials and feature pre-punched, engineered cleats that are available in both continuous and segmented lengths. This unique cleat design takes the guesswork out of fastener spacing, prevents sag, and is quick and simple to install.

MINIMUM METAL THICKNESS RECOMMENDATIONS

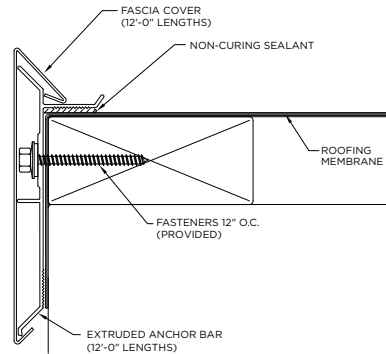
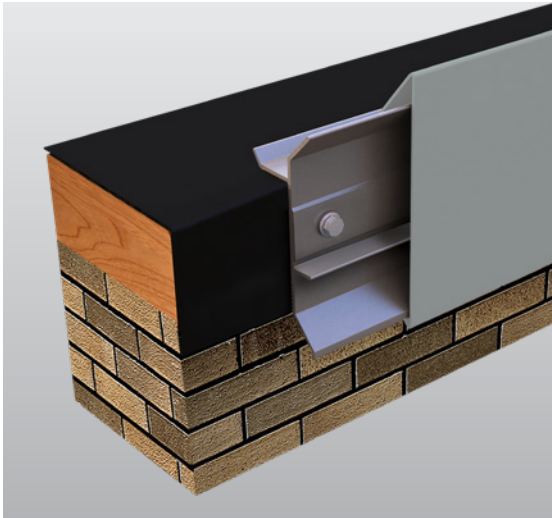
When selecting a metal roof edge system it is important to consider the height of the face and the type of metal being used. The table below is a recommendation from ANSI/SPRI/FM-4435 ES-1 for selecting the right metal thickness. Using the proper metal type and thickness will ensure performance, reduce the risk of oil canning, and result in an aesthetically pleasing look.

Exposed Face	Galvanized Steel	Cold Rolled Copper	Formed Aluminum	Stainless Steel
Up to 4" (100 mm)	24 ga (0.028" and 0.7 mm)	16 oz (0.022" and 0.6 mm)	0.040" (1.0 mm)	26 ga (0.016" and 0.4 mm)
> 4" -8" (>100-200 mm)	24 ga (0.028" and 0.7 mm)	16 oz (0.022" and 0.6 mm)	0.050" (1.3 mm)	26 ga (0.016" and 0.4 mm)
> 8" -10" (>200-250 mm)	22 ga (0.034" and 0.9 mm)	20 oz (0.027" and 0.7 mm)	0.063" (1.6 mm)	24 ga (0.023" and 0.6 mm)
> 10" -16" (>250-400 mm)	20 ga (0.040" and 1.0 mm)	20 oz with stiffening ribs	0.080" (2.0 mm)	22 ga (0.029" and 0.7 mm)

SECUREEDGE PRODUCT INFORMATION CHART

Product Name	FM Approved	Miami-Dade Approved	Warranty Eligibility	Installation Method	Maximum Size Tested	Standard Sizes	Custom Size Available
SecurEdge EX Snap-On Fascia	✓	✓	Up to 30 years, 120 MPH	Snap-On	13" Face	4", 5.5", 7", 8.5", 10", 11.5", 13"	✗
SecurEdge One Fascia	✓	✗	Up to 30 years, 80 MPH	Snap-On	8" Face	4", 5", 6.5", 8"	✓
SecurEdge CF Snap-On Fascia	✓	✓	Up to 30 years, 120 MPH	Snap-On	9.25" Face	3.5", 4.75", 6.25", 7.75", 9.25", 10.75", 12.25"	✓
SecurEdge Snap-On Canted Fascia	✓	✓	Up to 30 years, 100 MPH	Snap-On	12.75" Face	5.25", 6.75", 8.25", 9.75", 11.25", 12.75"	✓
SecurEdge Crimp-On Canted Fascia	✓	✓	Up to 30 years, 100 MPH	Crimp-On	12.5" Face	5", 6.5", 8", 9.5", 11", 12.5"	✓
SecurEdge Snap-On Coping	✓	✓	Up to 30 years, 120 MPH	Snap-On	6" Face, 16" Wall	N/A	✓
SecurEdge Gold Coping	✓	✓	Up to 30 years, 120 MPH	Snap-On	12" Face, 32" Wall	N/A	✓
SecurEdge CF Snap-On Coping	✓	✗	Up to 30 years, 120 MPH	Snap-On	6" Face, 16" Wall	N/A	✓
SecurEdge One Coping	✗	✗	Up to 30 years, 80 MPH	Rear Face Fastened	6" Face, 12" Wall	N/A	✓
SecurEdge EX Drip Edge	✓	✓	Up to 30 years, 120 mph	Snap-On	7.5" Face	3", 4.5", 6", 7.5"	✗
SecurEdge TPO/PVC Skirted Drip Edge	✓	✓	Up to 30 years, 100 MPH	Nailed & Welded	8" Face	2.5", 3", 4", 6"	✓
SecurEdge TPO/PVC Coated Drip Edge	✗	✗	Up to 30 years, 100 MPH	Nailed, Stripped in & Welded	6" Face	3", 4", 6"	✓
SecurEdge Drip Edge	✓	✓	Up to 30 years, 100 MPH	Nailed & Stripped In	10" Face	N/A	✓
SecurEdge Gravel Stop	✓	✓	Up to 30 years, 100 MPH	Nailed & Stripped In	10" Face	N/A	✓
SecurEdge WR Gutter	✓	✓	Up to 30 years, 120 MPH	Nailed & Stripped In	7.75" Face	5.25", 5.75", 6.25", 6.75", 7.25", 7.75"	✗
SecurEdge Eliminator	✓	✓	Up to 30 years, 120 MPH	Nailed In	5.2" x 5.5"	1.5" x 2.5", 1.5" x 5.5", 3" x 2.5", 3" x 5.5", 5.2" x 5.5"	✓

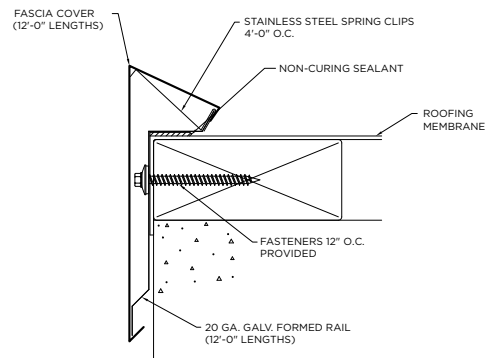
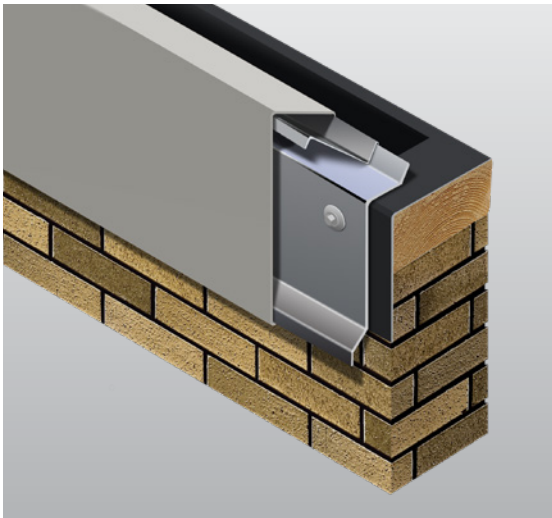
SECUREDGE EX SNAP-ON FASCIA



Carlisle's SecurEdge EX Snap-On Fascia is a two-piece assembly that combines superior performance, attractive appearance, and easy installation. This product eliminates the need for stripping-in or heat-welding and provides the maximum available protection against wind damage. SecurEdge EX Snap-On Fascia is also available in extended face sizes (up to 13") and canted cleat versions.

Material: Available in .040", .050", and .063" aluminum and 22-gauge or 24-gauge Kynar 500®-coated galvanized steel. The retainer cleat is heavy-duty extruded aluminum with pre-slotted holes for fasteners (provided) to ensure proper placement. SecurEdge EX Snap-On Fascia is available in 12' standard lengths for fewer seams and faster installation.

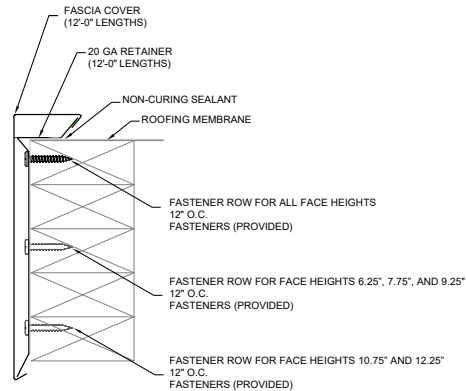
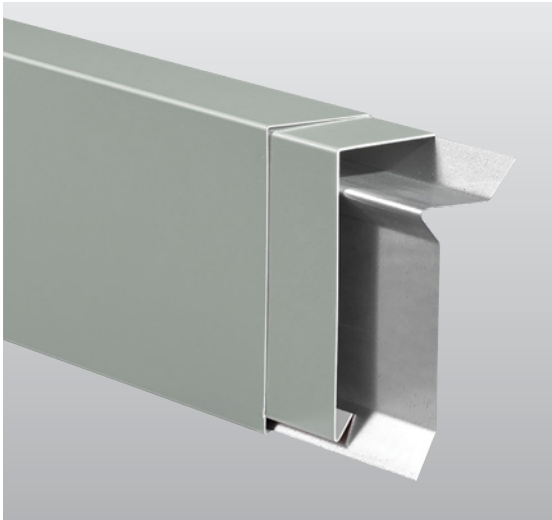
SECUREDGE ONE FASCIA



Carlisle's SecurEdge One Fascia is a cost-effective, high-performance product with a minimal lead time. This product eliminates the need for stripping-in or heat-welding, is manufactured and tested to meet ANSI/SPRI ES-1 standards, and is Factory Mutual approved.

Material: Available in .040", .050", and .063" aluminum and 22-gauge or 24-gauge Kynar 500-coated galvanized steel. Retainer cleat is available in 20-gauge steel with pre-slotted holes for fasteners (provided) to ensure proper placement. SecurEdge One Fascia is available in 12' standard lengths for fewer seams and faster installation. Custom face heights are available, to learn more contact your local Carlisle Representative.

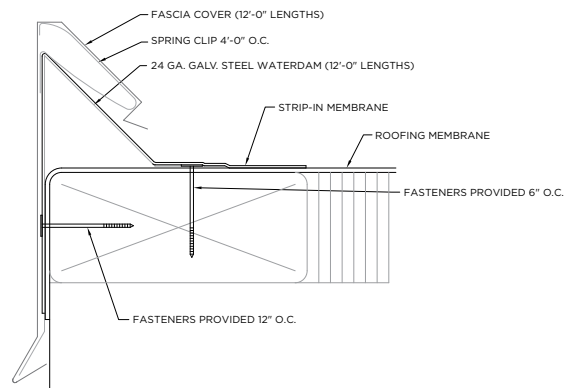
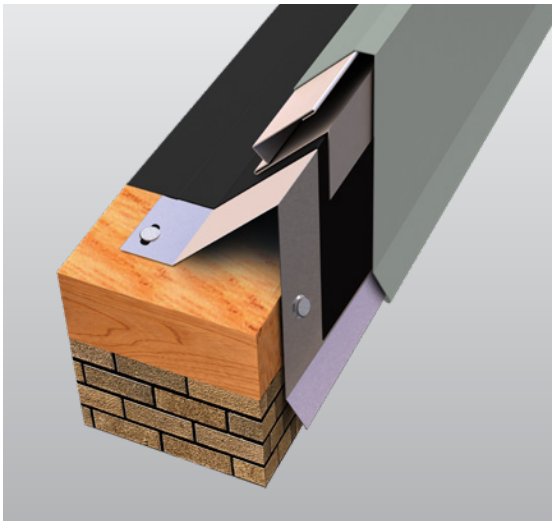
SECUREDGE CF SNAP-ON FASCIA



Carlisle's SecurEdge CF Snap-On Fascia is a two-part assembly that includes a formed steel retainer cleat and a decorative snap-on cover. The simple design allows for fast installation while still delivering excellent performance.

Material: Available in .040" and .050" aluminum, and 22-gauge or 24-gauge Kynar 500-coated galvanized steel. The retainer cleat is available in 20-gauge galvanized steel with pre-punched slotted holes for fasteners at 12" on center (provided) and is available in 12' standard length.

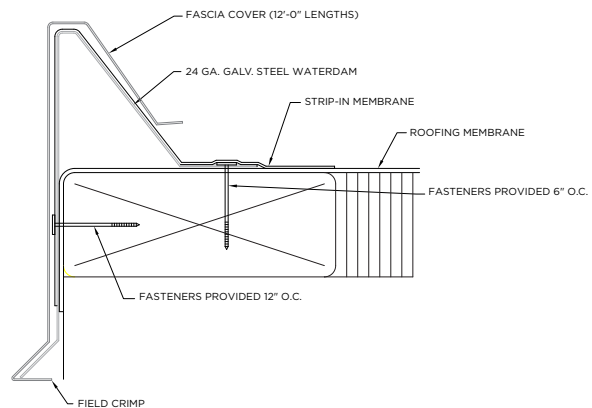
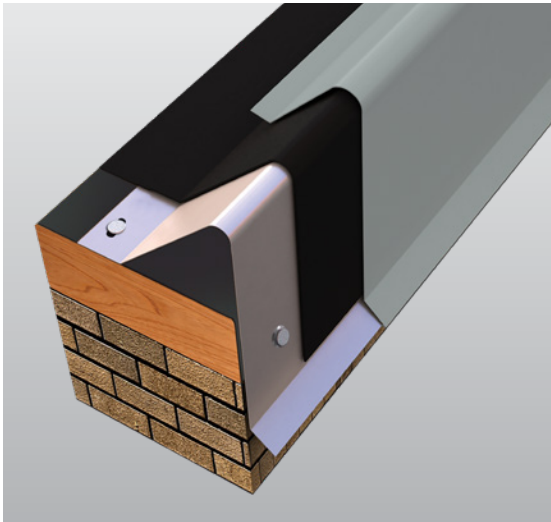
SECUREDGE SNAP-ON CANTED FASCIA



Carlisle's SecurEdge Snap-On Canted Fascia features a snap-on cover that eliminates crimping, substantially reducing installation time. The canted cleat design creates a water dam at the perimeter of the roof and can also help to keep stone in place on ballasted roofs. Dual attachment points on both the face and horizontal surface allow for added flexibility when accommodating roof irregularities.

Material: Available in .040", .050", and .063" aluminum and 22-gauge or 24-gauge Kynar 500-coated galvanized steel. The retainer cleat and spring clips are formed from 24-gauge steel with pre-slotted holes for fasteners (provided) to ensure proper placement. SecurEdge Snap-On Canted Fascia is available in 12' standard lengths for fewer seams and faster installation.

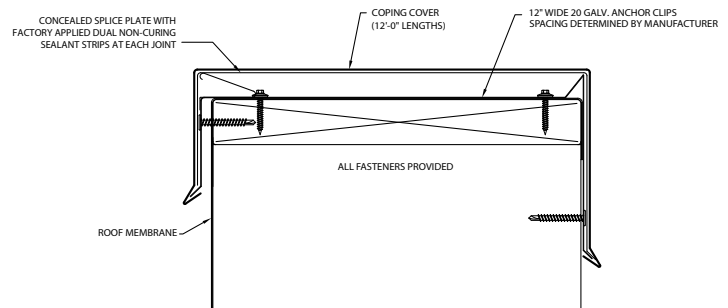
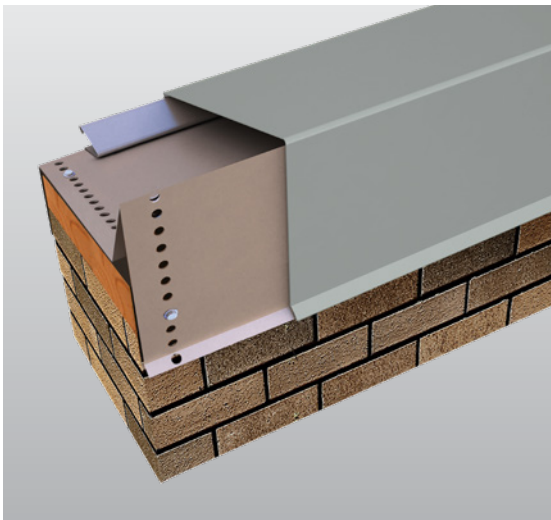
SECUREDGE CRIMP-ON CANTED FASCIA



Carlisle's SecurEdge Crimp-On Fascia offers a canted cleat design creates a water dam at the perimeter of the roof and can also help to keep stone in place on ballasted roofs. Dual attachment points on both the face and horizontal surface allow for added flexibility when accommodating roof irregularities.

Material: Available in .040", .050", and .063" aluminum as well as 22 and 24-gauge Kynar 500-coated galvanized steel. The retainer cleat and spring clips are formed from 24-gauge steel with pre-slotted holes for fasteners (provided) to ensure proper placement. SecurEdge Crimp-On Canted Fascia is available in 12' standard lengths for fewer seams and faster installation.

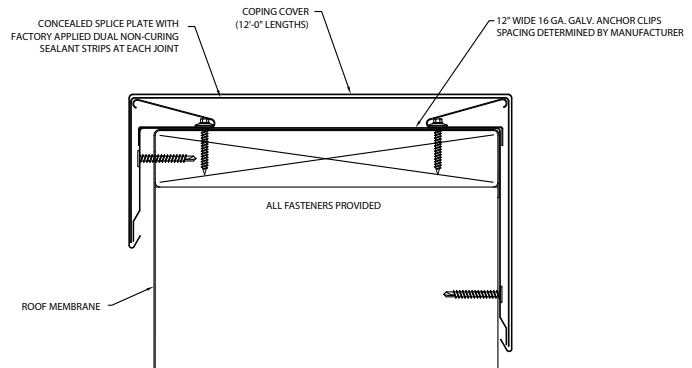
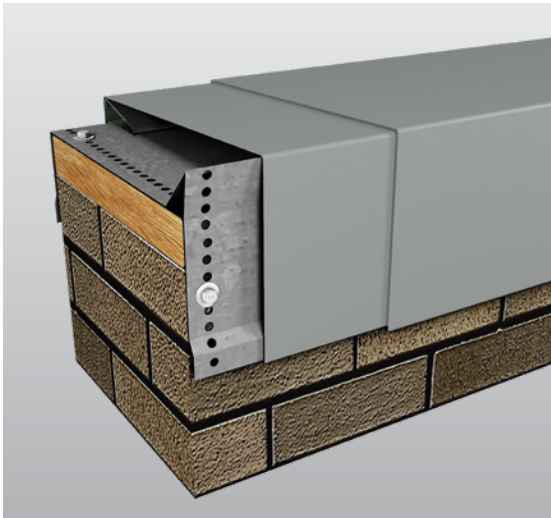
SECUREDGE SNAP-ON COPING



Carlisle's SecurEdge Snap-On Coping utilizes a full snap-on design to ensure long-term positive attachment and ease of installation. It is custom-fabricated to meet your exact job requirements.

Material: Available in 040", .050" and .063" aluminum as well as 22-gauge and 24-gauge Kynar 500-coated galvanized steel. The retainer cleat and spring clips are formed from 20-gauge galvanized steel anchor clips and factory-applied stainless steel springs. SecurEdge Snap-On Coping is manufactured in 12' lengths and possesses a snap-on design for faster installation.

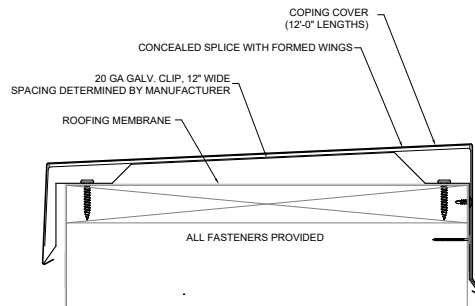
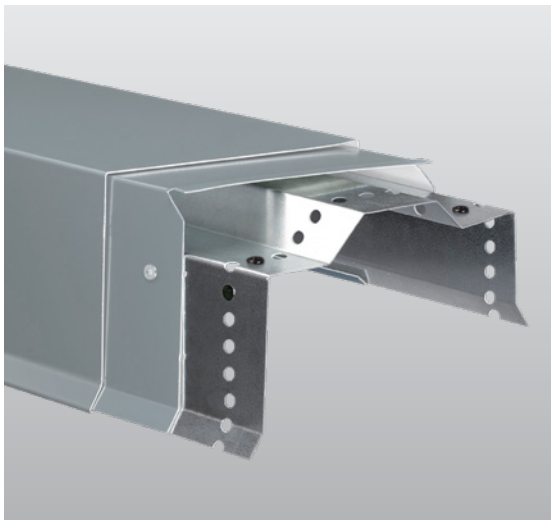
SECUREDGE GOLD COPING



Carlisle's SecurEdge Gold Coping utilizes a full snap-on design and features a heavy-duty 16-gauge galvanized steel cleat for increased wind resistance. All SecurEdge Copings come with 8" concealed splices with dual non-curing butyl sealant strips to prevent water infiltration and allow for thermal movement at joints.

Material: Available in .040", .050", and .063" aluminum and 22-gauge or 24-gauge Kynar 500-coated galvanized steel. The retainer cleat is available in 16- or 20-gauge steel with pre-slotted holes for fasteners (provided) to ensure proper placement. SecurEdge Gold Coping is available in 12' standard lengths for fewer seams and faster installation.

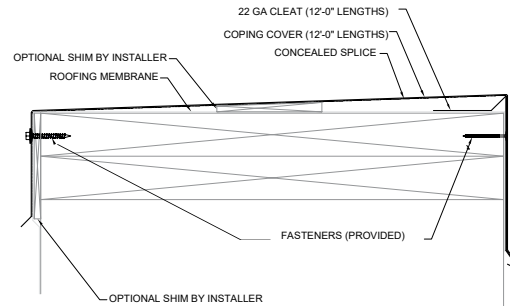
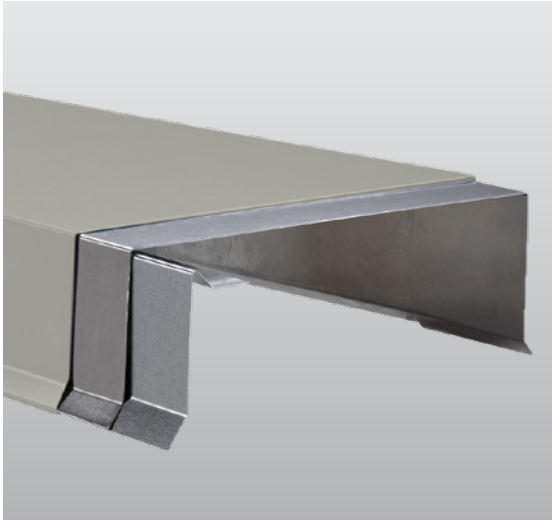
SECUREDGE CF SNAP-ON COPING



Carlisle's SecurEdge CF Snap-On Coping is a three piece coping system consisting of coping clips, hidden splice plates, and a snap on coping cap that can be used to cap almost any parapet.

Material: Available in .063", .050" or .040" aluminum, and 22-gauge or 24-gauge Kynar 500 coated galvanized steel. Clips are formed from 20 gauge galvanized steel with pre-punched slotted holes. Standard coping cap length is 12' for fewer seams and faster installation.

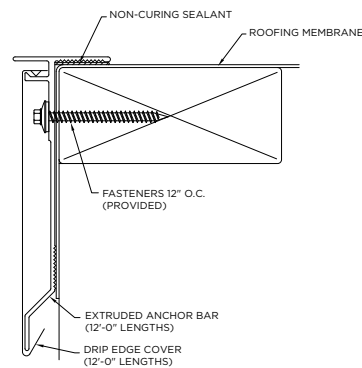
SECUREDGE ONE COPING



Carlisle's SecurEdge One Coping was developed as a cost-effective prefabricated solution. SecurEdge One Coping is provided in 12' lengths with pre-punched holes for provided fasteners which simplifies the installation process and ensures a proper fit.

Material: Available in .063", .050" or .040" aluminum, and 22-gauge or 24-gauge Kynar 500 coated galvanized steel. This product features a 22-gauge galvanized steel continuous front cleat.

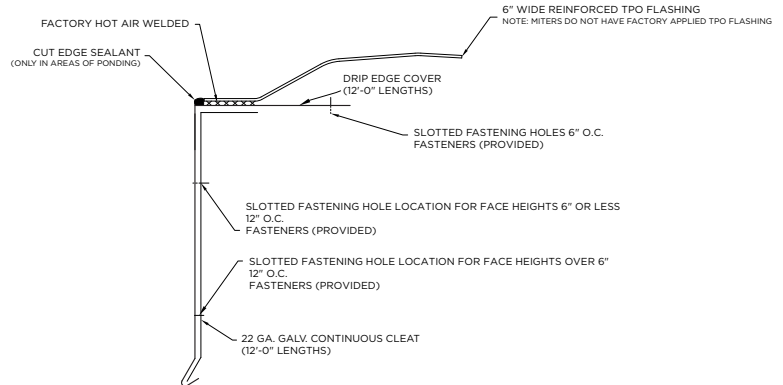
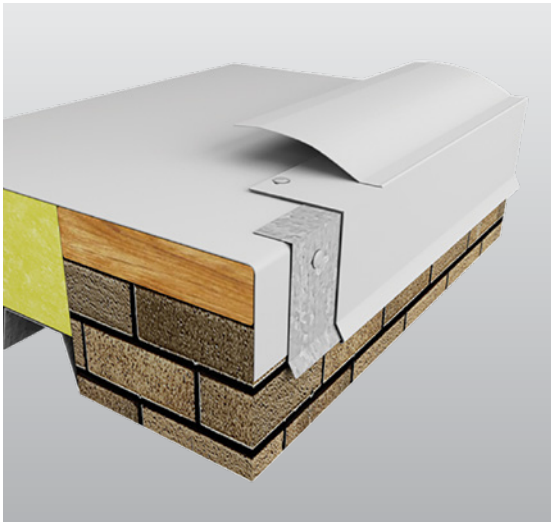
SECUREDGE EX DRIP EDGE



Carlisle's SecurEdge EX Drip Edge features a patented low-profile extruded aluminum anchor bar and a non-penetrating snap on design that eliminates the need for stripping-in or heat-welding.

Material: Available in .040" aluminum and 24-gauge Kynar 500-coated galvanized steel. The retainer cleat is heavy-duty extruded aluminum with pre-slotted holes for fasteners (provided) to ensure proper placement. SecurEdge EX Drip Edge is available in 12' standard lengths for fewer seams and faster installation.

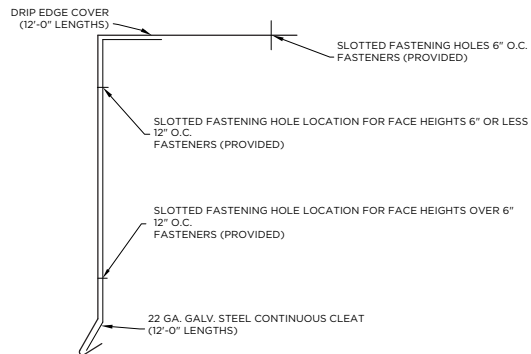
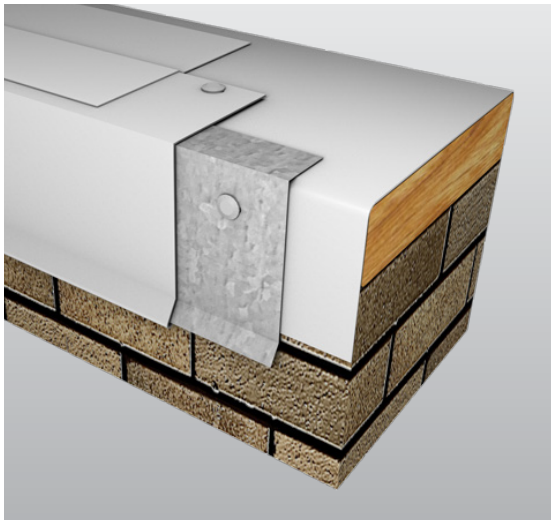
SECUREDGE TPO & PVC SKIRTED DRIP EDGE



Carlisle's SecurEdge TPO & PVC Skirted Drip Edge features a 60-mil, 6"-wide, factory-heat-welded TPO or PVC membrane flashing skirt for a quicker installation and a high-quality, consistent weld between the coated metal and the flashing material. SecurEdge TPO & PVC Skirted Drip Edge feature pre-slotted fastening holes that allow for proper thermal movement of materials.

Material: Available in 24-gauge Sure-Weld TPO and Sure-Flex PVC coated steel. The retainer cleat is formed from 22-gauge steel with pre-slotted holes for fasteners (provided) to ensure proper placement. SecurEdge TPO Skirted Drop Edge is available 12' standard lengths, while SecurEdge PVC Skirted Drip Edge is available in 10' lengths for fewer seams and faster installation.

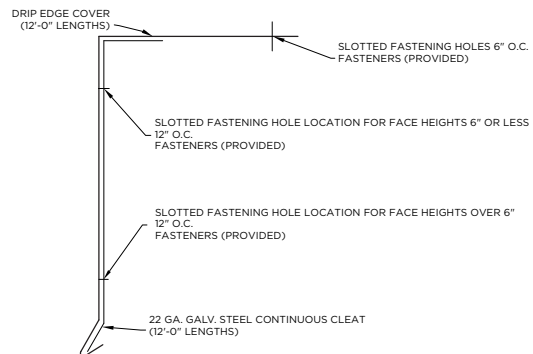
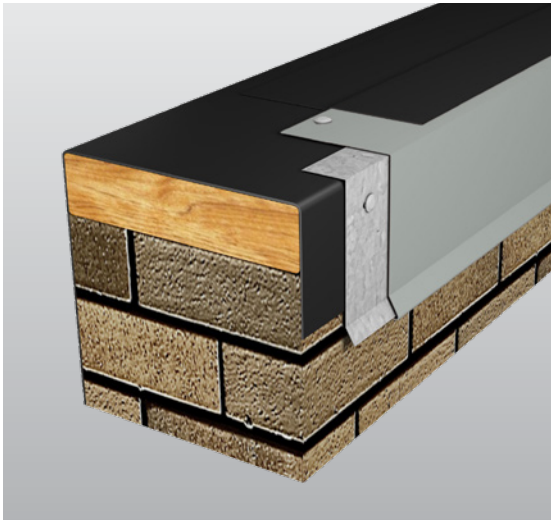
SECUREDGE TPO & PVC COATED DRIP EDGE



Carlisle's SecurEdge TPO and PVC-Coated Drip Edge features an L-shaped continuous cleat with pre-slotted fastening holes for ease of installation. SecurEdge TPO Coated Drip Edge is manufactured in 12' lengths while the SecurEdge PVC Coated Drip Edge is manufactured in 10' lengths.

Material: Available in 24-gauge Sure-Weld TPO and Sure-Flex PVC coated steel. The retainer cleat is formed from 22-gauge steel with pre-slotted holes for fasteners (provided) to ensure proper placement.

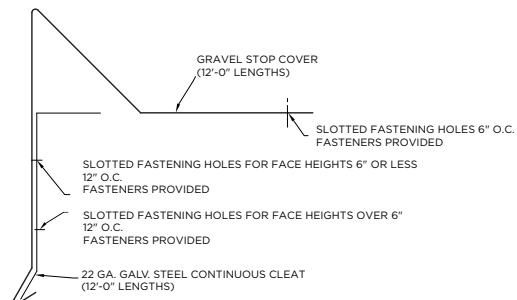
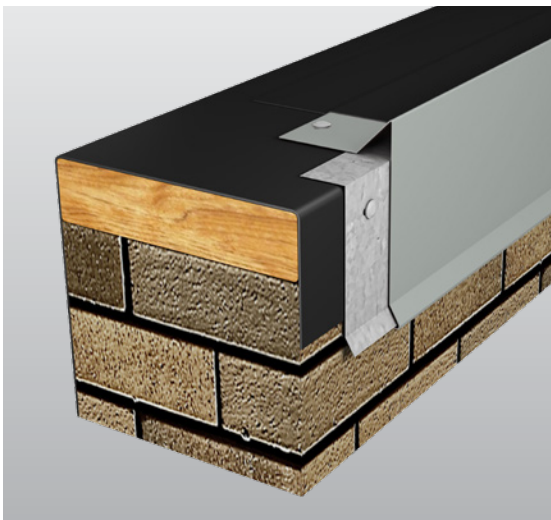
SECUREDGE DRIP EDGE



Carlisle's SecurEdge Drip Edge is a two-part assembly that consists of an L-shaped continuous cleat and a decorative cover with pre-slotted fastening holes on the roof flange. Once the cleat and cover are fastened, the drip edge can be stripped-in using Carlisle Pressure-Sensitive Cover Strip and Primer.

Material: Available in .040", .050", and .063" aluminum and 24-gauge Kynar 500-coated galvanized steel. The retainer cleat is formed from 22-gauge steel with pre-slotted holes for fasteners (provided) to ensure proper placement. SecurEdge Drip Edge is available in 12' standard lengths for fewer seams and faster installation.

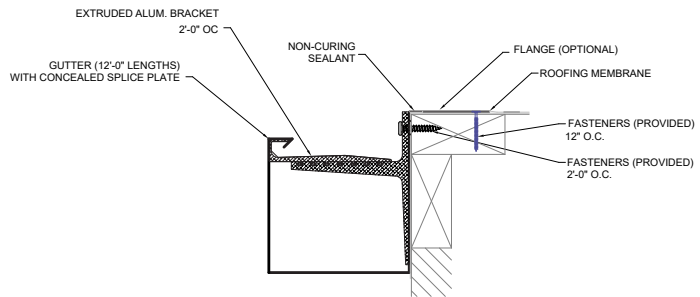
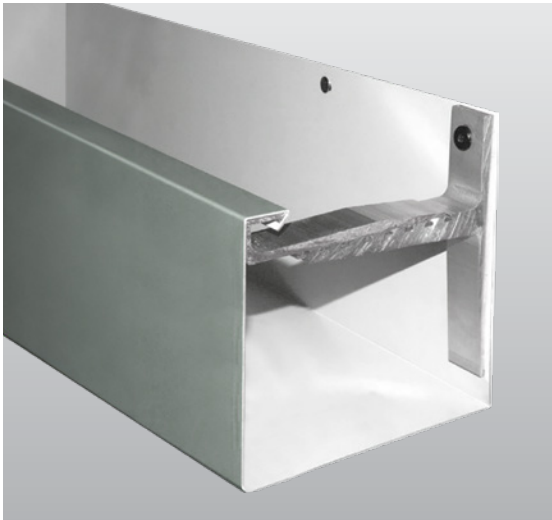
SECUREDGE GRAVEL STOP



Carlisle's SecurEdge Gravel Stop's two-part assembly consists of an L-shaped continuous cleat and a decorative cover with pre-slotted fastening holes on the roof flange. Once the cleat and flange are fastened, the gravel stop can be stripped-in using Carlisle's Pressure-Sensitive Cover Strip and Primer. The rise at the edge of the roof is customizable (minimum of 1/2" high).

Material: Available in .040", .050", and .063" aluminum and 22-gauge or 24-gauge Kynar 500-coated galvanized steel. The retainer cleat is formed from 22-gauge steel with pre-slotted holes for fasteners (provided) to ensure proper placement. SecurEdge Gravel Stop is available in 12" standard lengths for fewer seams and faster installation.

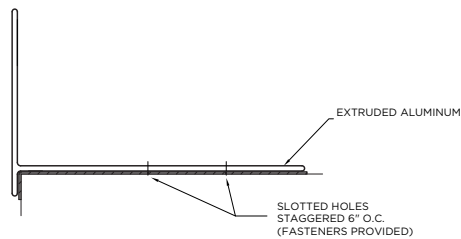
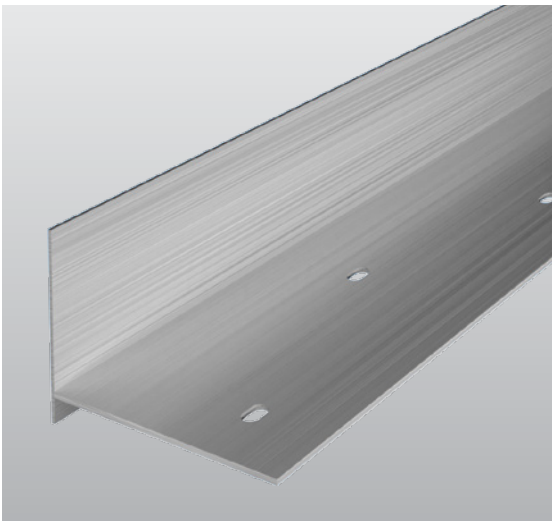
SECUREDGE WR GUTTER



Carlisle's SecurEdge WR Gutter system incorporates 1" wide extruded internal gutter brackets for strength and support. The system has been engineered to meet ANSI/SPRI GT-1 requirements for wind resistance and is available with 3 distinct looks to fit any building: box style, chamfer style, and offset.

Material: Available in .040", .050", or .063" aluminum, and 22-gauge or 24-gauge Kynar 500-coated galvanized steel. Gutter support brackets are extruded aluminum.

SECUREDGE ELIMINAILER



Carlisle's SecurEdge Eliminailer is an alternative to traditional wood nailers, installed along the roof perimeter. Manufactured from heavy gauge extruded aluminum, this product will not crack warp split or rot; it is not a food source for insects, it is noncombustible and will not absorb moisture. It enhances the structural strength of the roof's edge, significantly lowers the risk of failure, and provides protection against costly damage and blow-off. Available in different sizes for low-slope, non-tapered, and pitched metal roof retrofits, the SecurEdge Eliminailer allows continuous insulation extending directly to the roof's edge, improving thermal efficiency. Its installation is quick and simple, with pre-punched holes to ensure correct placement every time.

Material: Extruded using heavy gauge aluminum, and available in 12' lengths.

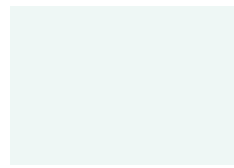
SECUREDGE EDGE METAL SERIES COLOR CHART



STONE WHITE



BONE WHITE



REGAL WHITE



SANDSTONE



ALMOND



SIERRA TAN



BUCKSKIN



MEDIUM BRONZE



DARK BRONZE



BURNISHED SLATE



MIDNIGHT BRONZE



ANTIQUÉ BRONZE



AGED BRONZE



MANSARD BROWN



BLACK



ONYX



IRON ORE



GRAPHITE



CITYSCAPE



SLATE GRAY



GRANITE

L



MUSKET GRAY



CHARCOAL



HEMLOCK GREEN



PATINA GREEN



FOREST GREEN



HARTFORD GREEN



TERRA COTTA



COLONIAL RED



CARDINAL RED



MILITARY BLUE



PACIFIC BLUE



INTERSTATE BLUE



AWARD BLUE



SILVER

P



ZINC

P



WEATHERED ZINC

P



CHAMPAGNE

P



COPPER PENNY

P



DREXLUME™

M

P = PREMIUM

M = MILL FINISH

L = LOW GLOSS COLOR

SECUREDGE EDGE METAL SERIES COLOR CHART

● = Standard Product

✓ = CRRC Approved Finishes

Product Options	SR	SRI	24 ga x 48"	22 ga x 48"	0.032 x 48"	0.040 X 48"	0.050 x 48"	0.063 x 48"	Cool Roof Rated
Standard Colors									
Aged Bronze	0.29	29	●						✓
Almond	0.53	62	●	●	●	●	●		✓
Antique Bronze	0.29	28	●		●	●			✓
Black	0.04	-2	●	●	●	●	●	●	
Bone White	0.67	81	●	●	●	●	●	●	✓
Buckskin	0.38	41	●		●				✓
Burgundy	0.24	23	●						
Burnished Slate	0.32	33	●						
Charcoal	0.27	27	●		●	●	●		✓
Cityscape	0.44	49	●	●	●	●	●		✓
Colonial Red	0.32	34	●		●	●	●		✓
Dark Bronze	0.26	24	●	●	●	●	●	●	✓
Evergreen	0.28	27	●						
Forest Green	0.10	6	●		●	●			
Graphite	0.29	29	●						
Hartford Green	0.29	29	●			●			
Hemlock Green	0.29	29	●		●				✓
Interstate Blue	0.13	8	●		●		●		
Iron Ore	0.27	26	●		●	●	●		✓
Mansard Brown	0.29	29	●	●	●	●	●		✓
Medium Bronze	0.26	26	●	●	●	●	●	●	✓
Midnight Bronze	0.06	0	●			●			
Military Blue	0.29	29	●		●				✓
Musket Gray	0.31	32	●	●	●		●		✓
Onyx	0.26	25	●	●					
Pacific Blue	0.25	24	●		●				✓
Patina Green	0.33	34	●						✓
Regal White	0.60	78	●		●	●			
Sandstone	0.49	56	●	●	●	●	●	●	✓
Sierra Tan	0.36	39	●	●	●	●	●		✓
Slate Gray	0.37	40	●	●	●	●	●		✓
Stone White	0.64	77	●	●	●	●	●	●	✓
Teal	0.26	25	●		●				✓
Terra Cotta	0.36	39	●		●		●		✓
Low Gloss Colors									
Berkshire Blue	0.30	31	●						
Classic Bronze	0.29	28	●						✓
Granite	0.32	33	●	●	●	●	●		✓
Inkwell	0.27	26	●						
Traditional Black	0.20	17	●		●				
Weathered Steel	0.34	34	●						
Metallics									
Anodic Clear	0.32	31				●			
Champagne	0.40	42	●		●	●	●		✓
Copper Penny	0.47	53	●		●	●			✓
Silver	0.49	54	●	●	●	●	●		✓
Silversmith	0.32	34				●			
Weathered Zinc	0.26	23	●	●	●		●		✓
Zinc*	0.33	35	●		●	●			✓
Exotics - 10-year Color Fade Warranty									
Award Blue (10-YR)*	0.21	17	●		●				
Cardinal Red (10-YR)*	0.37	39	●		●				✓
Bare Products									
Drexlum™			●	●					
Mill Finished Aluminum					●	●	●	●	
Clear Anodized					●	●	●	●	
Dark Bronze Anodized					●	●	●	●	
Black Anodized						●	●	●	

● 16ga x 48" x 120" ● 18 ga x 48" x 120" ● 20 ga x 48" x 120" ● 22 ga x 48" x 120"

- » High-performance perimeter edge products.
- » Carlisle SynTec Systems standard sheets come in 48" x 120".
- » 35-year paint warranty on Galvalume® and Aluminum substrates, excluding Exotics.
- » 25-year warranty on Drexlum™.

- » Not all colors and gauges are stocked in all locations. Contact your local manufacturer's representative for specific stocking information and special requests.
- » Custom colors available.
- » Oil canning is not a cause for rejection.

SHERWIN-WILLIAMS
Coil Coatings

Colors shown represent the actual color as closely as possible. To ensure exact color for final approval, a metal color chip is available. Warranty statements mentioned are outlines; complete Limited Warranty information is available on request. No other warranty expressed or implied is applicable.

CARLISLE'S SECUREDGE CUSTOM PRODUCTS AND ACCESSORIES

Custom Products

Carlisle offers custom fascia and other edge metals to meet any architectural building design.

Counter Flashing

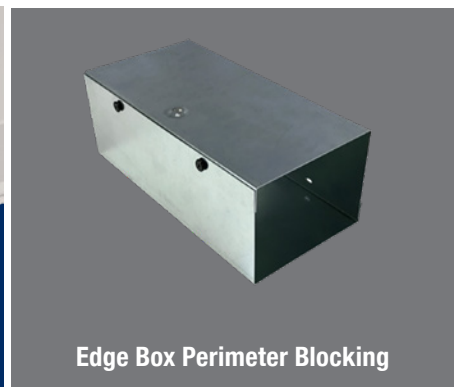
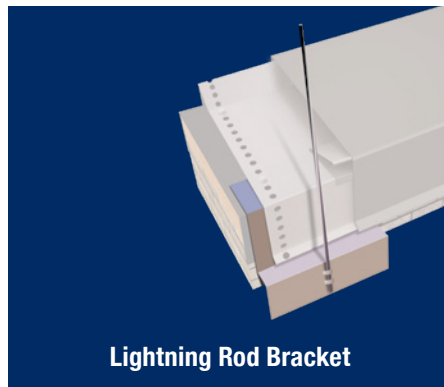
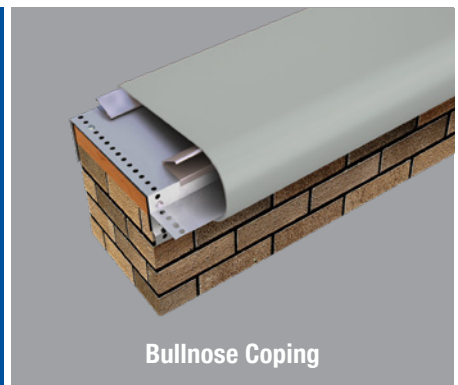
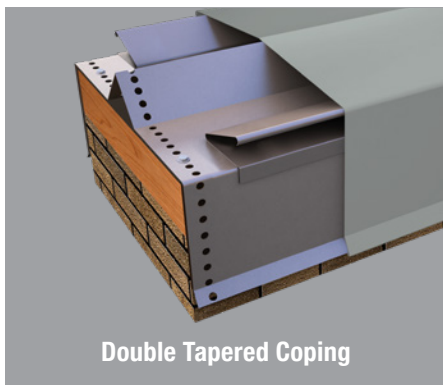
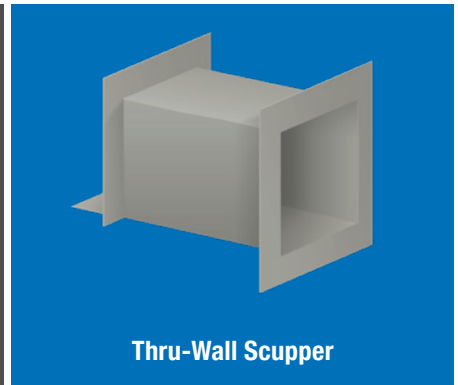
SecurEdge Counter Flashing is available in five different configurations: one-piece surface mount, one-piece reglet, two-piece surface mount, two-piece reglet, and two-piece thru-wall. All are available in 24-gauge steel and .040" and .050" aluminum.

Water Control Accessories

Carlisle offers a variety of water control accessories, including: Thru-Wall Scuppers, Collector Boxes, Downspouts, and custom Brick Wall Caps. All products are offered in a variety of materials, thicknesses, and colors which can be customized to meet project-specific requirements.

Perimeter Edge Blocking

Carlisle offers an engineered metal edge box system that replaces traditional wood blocking or nailers at the perimeter of a roof system with a formed 20 ga. galvanized steel assembly.





EXPERIENCE THE CARLISLE DIFFERENCE



800-479-6832 | P.O. Box 7000 | Carlisle, PA 17013 | Fax: 717-245-7053 | www.carlisesyntec.com