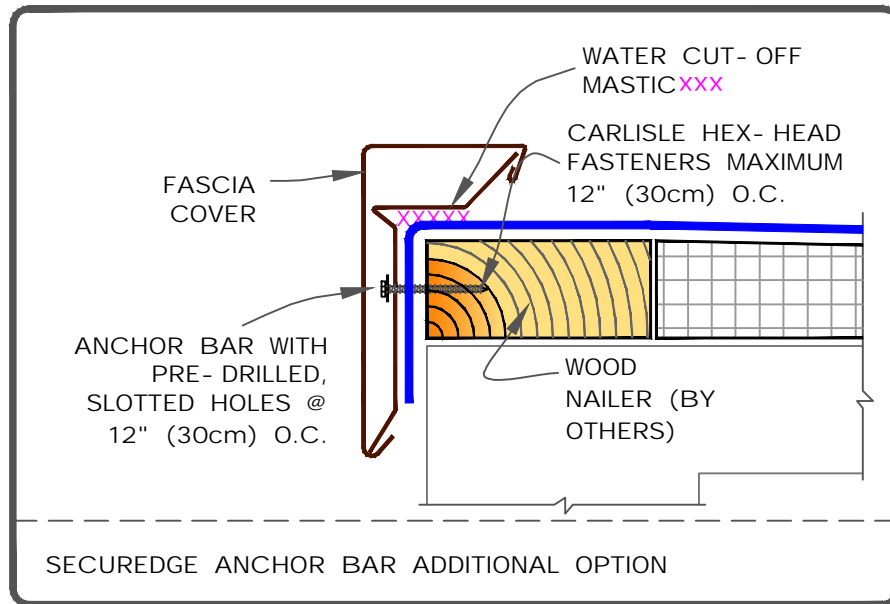


SecurEdge EX SNAP-ON FASCIA

NOTES:

1. REFER TO [SECUREDGE INSTALLATION INSTRUCTION MANUAL](#) FOR THE STEP BY STEP INSTALLATION PROCEDURES AND FOR THE VARIOUS PRODUCT FEATURES AVAILABLE.
2. IF INCIDENTAL/TEMPORARY PONDED WATER IS EXPECTED, THE SECUREDGE MUST BE ELEVATED AND SCUPPERS PROVIDED FOR DRAINAGE.
3. ENSURE ROOF SLOPES AWAY FROM SECUREDGE .



SecurEdge SNAP-ON FASCIA

	CARLISLE SecurEdge EX SNAP-ON FASCIA & SecurEdge SNAP-ON FASCIA MAXIMUM WARRANTY: 30 YEARS		DETAIL NO. U- 1F
			U (Universal Detail)