

VERSIGARD® EPDM WITH QAT

Quick-Applied Tape Saves Time and Money



Seams completed with Versico's QAT Seam Technology go together smoothly, resulting in fewer wrinkles.



One of the most critical and time-consuming portions of a VersiGard EPDM roofing installation can be made faster and easier when you use VersiGard EPDM with Quick-Applied Tape (QAT) Seam Technology. VersiGard QAT seam technology factory-applies the Seam Tape to the membrane, greatly reducing the time required for completing seams and minimizing your labor costs. Because adhesive thickness is controlled in the factory, waste and total material costs are reduced as well.

Consistent high quality is achieved with VersiGard QAT. The adhesive application is uniform throughout the installation, and the ultimate adhesive strength is achieved in a short period of time. Not only is installation time reduced, you can also be assured of the same high-quality installation across the roof.

It all adds up to an unbeatable combination of quicker, longer lasting and more profitable installations.

Increased Reliability

Versico's V-150 or Low-VOC EPDM Primer and Seam Tape are applied to VersiGard EPDM membranes in a factory-controlled setting, ensuring greater peel and shear strengths with no entrapped air bubbles. Consistent placement of the seam tape also maximizes the splice area by controlling the placement within +/- 1/8".

Increased Speed of Application

VersiGard EPDM with QAT improves seaming productivity by nearly 75%, which leads to quicker project completion, reduced labor costs, and less disruption to building occupants.

Design Flexibility

VersiGard QAT is available in numerous formats to accommodate various jobsite conditions. Versico's 2-Pack (2 sheets per core) reduces waste, allows quicker loading of the roof and is ideal for use when narrow-width sheeting is preferred.

Versico also offers QAT on wide-width dusted sheeting for large, wide-open projects. The seam tape is available in both 3" and 6" widths.



VERSIGARD EPDM WITH QAT

Quick-Applied Tape Saves Time and Money



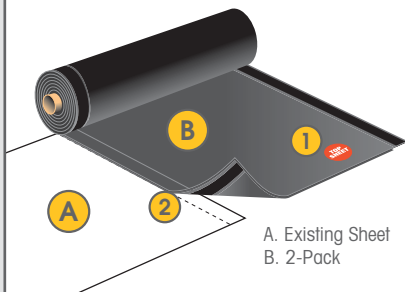
Locate the orange TOP SHEET sticker on 2-packs to ensure proper roll-out.



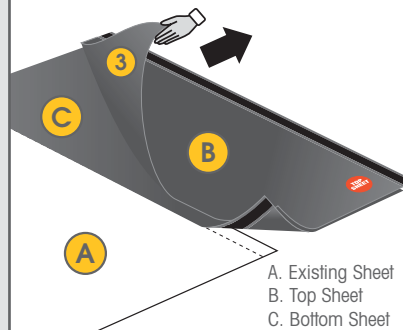
VersiGard EPDM with Quick-Applied Tape formats for wide-width sheeting includes a single-fold sheet.

2-Pack Unrolling Instructions

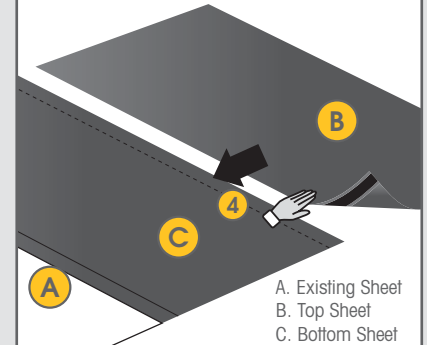
1. Locate orange **TOP SHEET** sticker.
2. Align the 2-pack roll to existing sheet.



3. Grasp the **TOP SHEET** and flip over.

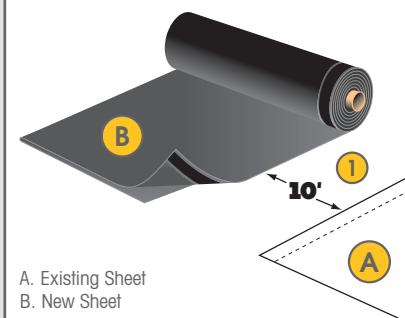


4. Pull the top sheet into position for seaming.

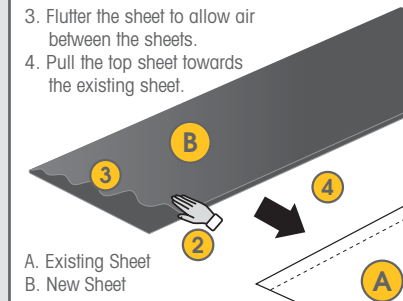


Wide-Width Folded Unrolling Instructions

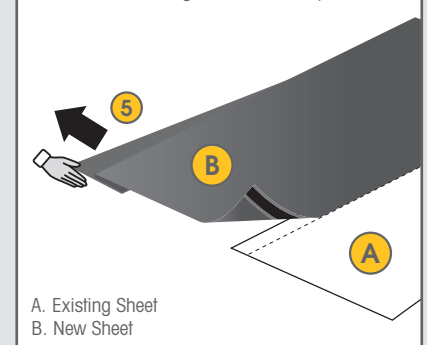
1. Unroll 10'-12' from desired final position.



2. Grasp the underside of the top edge, take care not to damage the clear poly release liner.
3. Flutter the sheet to allow air between the sheets.
4. Pull the top sheet towards the existing sheet.



5. Pull the remaining membrane into position.



A SINGLE SOURCE FOR SINGLE-PLY ROOFING

Versico, PO Box 1289, Carlisle, PA 17013
Tel: **800.992.7663** Fax: 717.960.4036 Web: www.versico.com