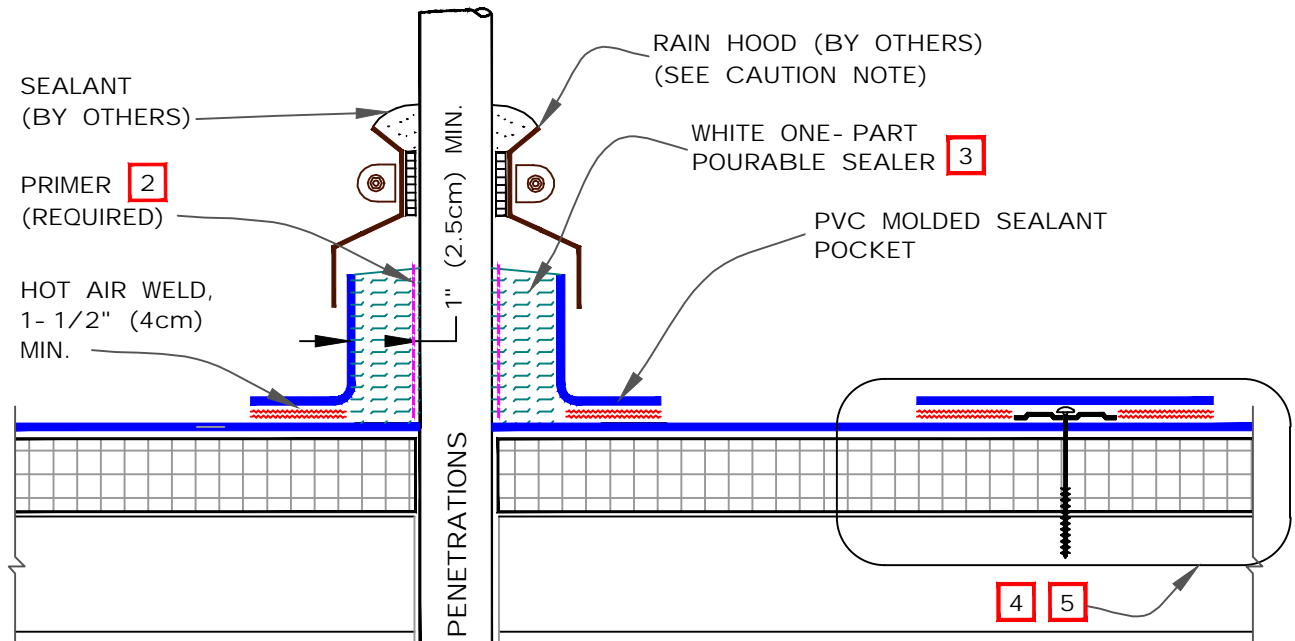


CAUTION

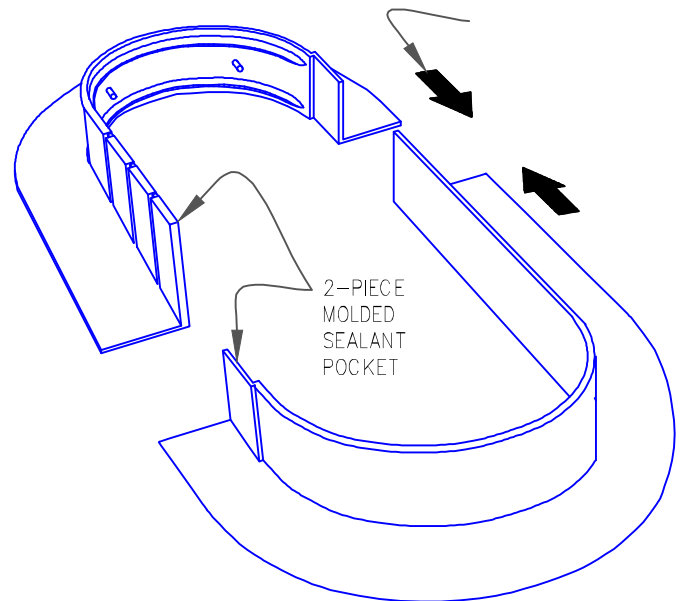
MOLDED SEALANT POCKETS MUST BE USED WITH RAIN HOODS FOR PROJECTS WITH 25 AND 30- YEAR WARRANTIES.



NOTES:

1. TEMPERATURE OF PIPE MUST NOT EXCEED 140° F (60° C).
2. PRIMER MUST BE APPLIED ON PENETRATION SURFACES ONLY WHERE SEALANT WILL BE IN CONTACT.
3. FILL POCKET COMPLETELY WITH WHITE ONE- PART POURABLE SEALER UNTIL RIM IS COVERED WITH SEALANT; ENSURE ALL VOIDS ARE FILLED.
4. ON MECHANICALLY- FASTENED SYSTEMS, INSTALL A MINIMUM OF 4 FASTENING PLATES AROUND SEALANT POCKETS WITH A DIAMETER UP TO 6" (15cm). ADDITIONAL FASTENING PLATES WILL BE REQUIRED FOR SEALANT POCKETS GREATER THAN 6" IN DIAMETER AND SHALL BE SPACED 12" (30cm) ON CENTER MAXIMUM.
5. REFER TO CARLISLE SPECIFICATIONS FOR PROPER FASTENERS AND PLATES.

PLACE MOLDED PVC SEALANT POCKET AROUND PENETRATION AND OVERLAP THE TWO SECTIONS



REFER TO PRODUCT DATA SHEET FOR STEP- BY- STEP INSTALLATION PROCEDURES



MOLDED SEALANT POCKET

MAXIMUM WARRANTY: 30- YEARS. SEE CAUTION AT THE TOP OF PAGE.



DETAIL NO.

U- 16A

U (Universal Detail)