



VERSITRIM METAL



Edge Metal Products



BUILDING VALUE

VERSITRIM METAL

Edge Metal Products

Versico was formed in 1993 through the acquisition of a major single-ply roofing manufacturer. Now, more than twenty-five years later, Versico has positioned itself as one of the top single-ply roofing system suppliers in the U.S. by focusing its efforts on quality products and exceptional service.

Versico has been instrumental in the development of today's leading technologies in the commercial roofing industry. With decades of experience in the single-ply roofing field, Versico is able to offer time-tested, proven solutions for your roofing needs.

Versico membranes and roofing systems are rigorously evaluated and tested to ensure that you receive an unmatched roof that will provide years of protection for your valuable assets.

VERSICO ROOFING SYSTEMS: BUILDING VALUE

Selecting the Ideal Perimeter Edge System for Your Building

The importance of a properly designed roof edge system should not be underestimated. On average, the roof edge typically represents only 1% of a building's overall cost. However, improper design and installation of the roof edge can have catastrophic consequences. Selecting a properly designed and tested metal edge system can diminish the risks and result in a roof system that stands the test of time.

- A quality roof edge system will resist the inward pull of the roof system due to expansion and contraction.
- A quality roof edge system will resist the wind uplift forces that can peel the edge system off the building.

ES-1 Compliant and Certified

Regardless of what level of wind resistance is required, Versico has an edge metal system for the job. Versico's ES-1 compliant edge metal systems are made of premium-quality, heavy-gauge materials and feature pre-punched, engineered cleats that are available in both continuous and segmented lengths. This unique cleat design takes the guesswork out of fastener spacing, prevents sag, and is quick and simple to install.



Minimum Metal Thickness Recommendations

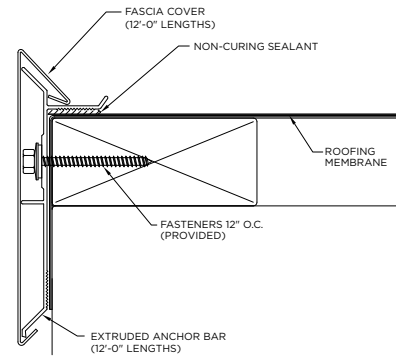
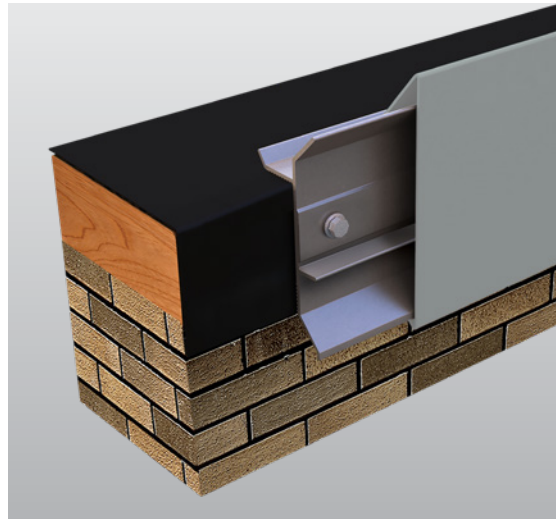
When selecting a metal roof edge system it is important to consider the height of the face and the type of metal being used. The table below is a recommendation from ANSI/SPRI/FM-4435 ES-1 for selecting the right metal thickness. Using the proper metal type and thickness will ensure performance, reduce the risk of oil canning, and result in an aesthetically pleasing look.

Exposed Face	Galvanized Steel	Cold Rolled Copper	Formed Aluminum	Stainless Steel
Up to 4" (100 mm)	24 ga (0.028" and 0.7 mm)	16 oz (0.022" and 0.6 mm)	0.040" (1.0 mm)	26 ga (0.016" and 0.4 mm)
> 4" – 8" (>100 – 200 mm)	24 ga (0.028" and 0.7 mm)	16 oz (0.022" and 0.6 mm)	0.050" (1.3 mm)	26 ga (0.016" and 0.4 mm)
> 8" – 10" (>200 – 250 mm)	22 ga (0.034" and 0.9 mm)	20 oz (0.027" and 0.7 mm)	0.063" (1.6 mm)	24 ga (0.023" and 0.6 mm)
> 10" – 16" (>250 – 400 mm)	20 ga (0.040" and 1.0 mm)	20 oz with stiffening ribs	0.080" (2.0 mm)	22 ga (0.029" and 0.7 mm)

VersiTrim Product Information Chart

Product Name	FM Approved	Miami-Dade Approved	Warranty Eligibility	Installation Method	Maximum Size Tested	Standard Sizes	Custom Size Available
VersiTrim™ EX Snap-On Fascia	✓	✓	Up to 30 years, 120 MPH	Snap-On	13" Face	4", 5.5", 7", 8.5", 10", 11.5", 13"	✗
VersiTrim One Fascia	✓	✗	Up to 30 years, 80 MPH	Snap-On	8" Face	4", 5", 6.5", 8"	✓
VersiTrim CF Snap-On Fascia	✓	✓	Up to 30 years, 120 MPH	Snap-On	9.25" Face	3.5", 4.75", 6.25", 7.75", 9.25", 10.75", 12.25"	✓
VersiTrim Snap-On Canted Fascia	✓	✓	Up to 30 years, 100 MPH	Snap-On	12.75" Face	5.25", 6.75", 8.25", 9.75", 11.25", 12.75"	✓
VersiTrim Crimp-On Canted Fascia	✓	✓	Up to 30 years, 100 MPH	Crimp-On	12.5" Face	5", 6.5", 8", 9.5", 11", 12.5"	✓
VersiTrim Snap-On Coping	✓	✓	Up to 30 years, 120 MPH	Snap-On	6" Face, 16" Wall	N/A	✓
VersiTrim Gold Coping	✓	✓	Up to 30 years, 120 MPH	Snap-On	12" Face, 32" Wall	N/A	✓
VersiTrim CF Snap-On Coping	✓	✗	Up to 30 years, 120 MPH	Snap-On	6" Face, 16" Wall	N/A	✓
VersiTrim One Coping	✗	✗	Up to 30 years, 80 MPH	Rear Face Fastened	6" Face, 12" Wall	N/A	✓
VersiTrim EX Drip Edge	✓	✓	Up to 30 years, 120 mph	Snap-On	7.5" Face	3", 4.5", 6", 7.5"	✗
VersiTrim TPO/PVC Skirted Drip Edge	✓	✓	Up to 30 years, 100 MPH	Nailed & Welded	8" Face	2.5", 3", 4", 6"	✓
VersiTrim TPO/PVC Coated Drip Edge	✗	✗	Up to 30 years, 100 MPH	Nailed, Stripped in & Welded	6" Face	3", 4", 6"	✓
VersiTrim Drip Edge	✓	✓	Up to 30 years, 100 MPH	Nailed & Stripped In	10" Face	N/A	✓
VersiTrim Gravel Stop	✓	✓	Up to 30 years, 100 MPH	Nailed & Stripped In	10" Face	N/A	✓
VersiTrim WR Gutter	✓	✓	Up to 30 years, 120 MPH	Nailed & Stripped In	7.75" Face	5.25", 5.75", 6.25", 6.75", 7.25", 7.75"	✗
VersiTrim Eliminailer	✓	✓	Up to 30 years, 120 MPH	Nailed In	5.2" x 5.5"	1.5" x 2.5", 1.5" x 5.5", 3" x 2.5", 3" x 5.5", 5.2" x 5.5"	✓

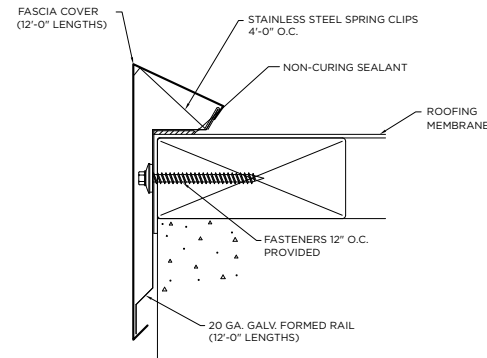
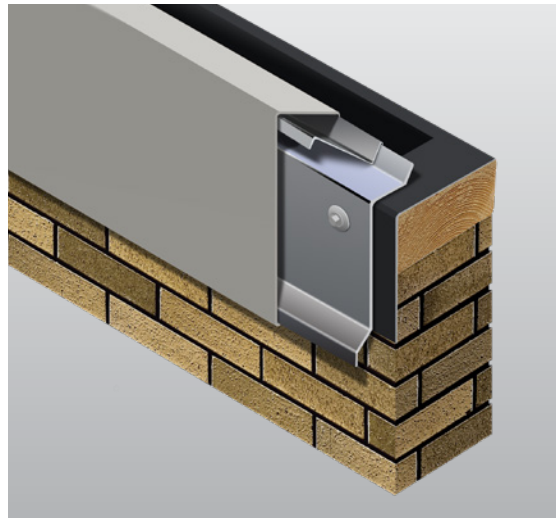
VersiTrim EX Snap-On Fascia



Versico's VersiTrim EX Snap-On Fascia is a two-piece assembly that combines superior performance, attractive appearance, and easy installation. This product eliminates the need for stripping-in or heat-welding and provides the maximum available protection against wind damage. VersiTrim EX Snap-On Fascia is also available in extended face sizes (up to 13") and canted cleat versions.

Material: Available in .040", .050", and .063" aluminum and 22-gauge or 24-gauge Kynar 500®-coated galvanized steel. The retainer cleat is heavy-duty extruded aluminum with pre-slotted holes for fasteners (provided) to ensure proper placement. VersiTrim EX Snap-On Fascia is available in 12' standard lengths for fewer seams and faster installation.

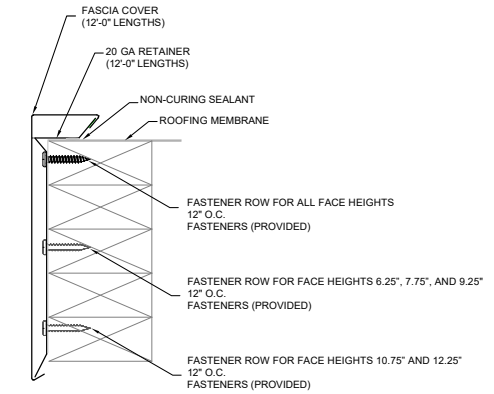
VersiTrim One Fascia



Versico's VersiTrim One Fascia is a cost-effective, high-performance product with a minimal lead time. This product eliminates the need for stripping-in or heat-welding, is manufactured and tested to meet ANSI/SPRI ES-1 standards, and is Factory Mutual approved.

Material: Available in .040", .050", and .063" aluminum and 22-gauge or 24-gauge Kynar 500-coated galvanized steel. Retainer cleat is available in 20-gauge steel with pre-slotted holes for fasteners (provided) to ensure proper placement. VersiTrim One Fascia is available in 12' standard lengths for fewer seams and faster installation. Custom face heights are available, to learn more contact your local Versico Representative.

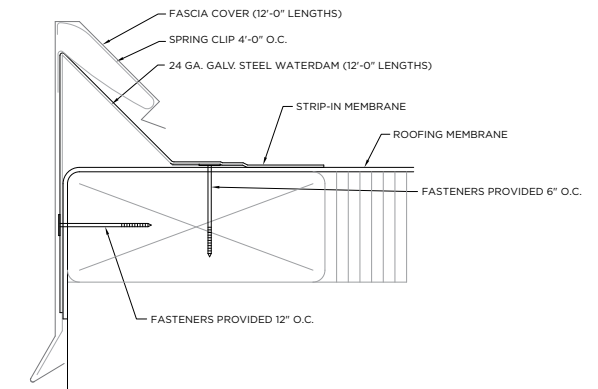
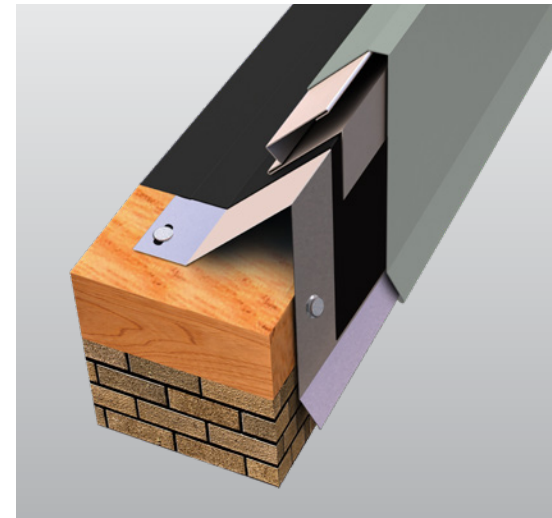
VersiTrim CF Snap-On Fascia



Versico's VersiTrim CF Snap-On Fascia is a two-part assembly that includes a formed steel retainer cleat and a decorative snap-on cover. The simple design allows for fast installation while still delivering excellent performance.

Material: Available in .040" and .050" aluminum, and 22-gauge or 24-gauge Kynar 500-coated galvanized steel. The retainer cleat is available in 20-gauge galvanized steel with pre-punched slotted holes for fasteners at 12" on center (provided) and is available in 12' standard length.

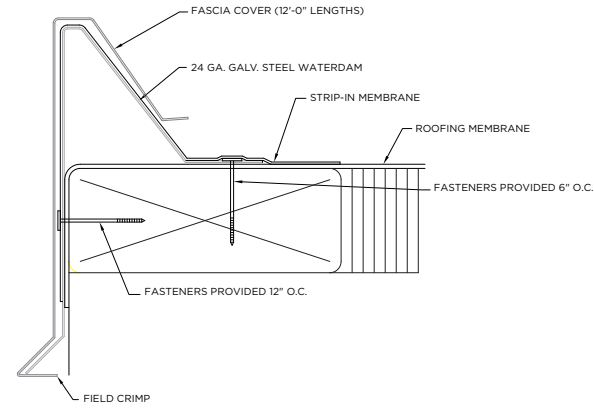
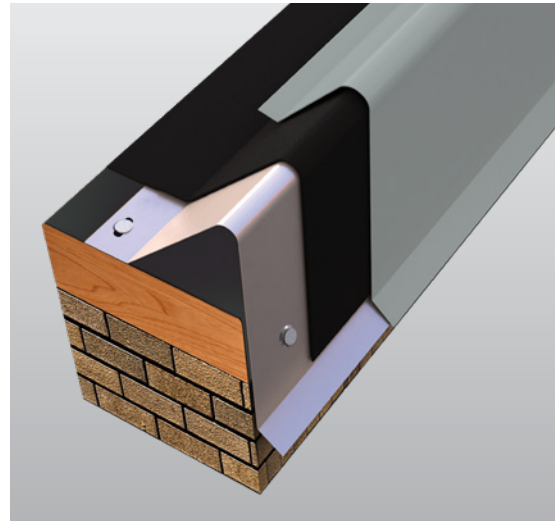
VersiTrim Snap-On Canted Fascia



Versico's VersiTrim Snap-On Canted Fascia features a snap-on cover that eliminates crimping, substantially reducing installation time. The canted cleat design creates a water dam at the perimeter of the roof and can also help to keep stone in place on ballasted roofs. Dual attachment points on both the face and horizontal surface allow for added flexibility when accommodating roof irregularities.

Material: Available in .040", .050", and .063" aluminum and 22-gauge or 24-gauge Kynar 500-coated galvanized steel. The retainer cleat and spring clips are formed from 24-gauge steel with pre-slotted holes for fasteners (provided) to ensure proper placement. VersiTrim Snap-On Canted Fascia is available in 12' standard lengths for fewer seams and faster installation.

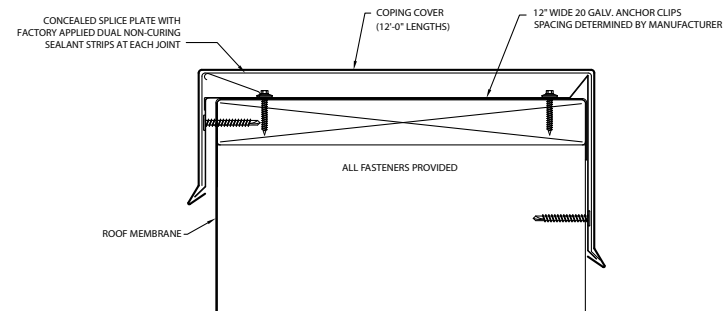
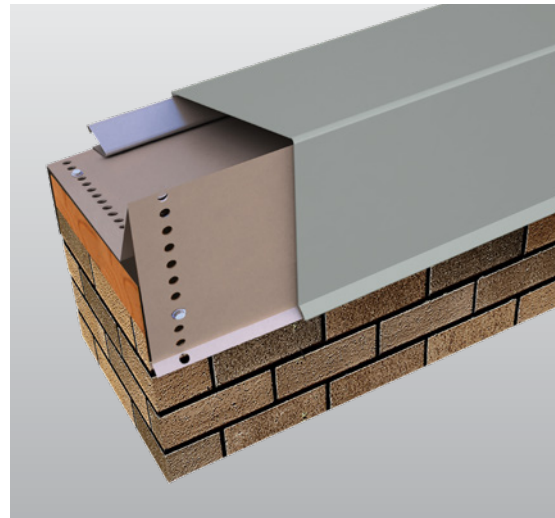
VersiTrim Crimp-On Canted Fascia



Versico's VersiTrim Crimp-On Fascia offers a canted cleat design creates a water dam at the perimeter of the roof and can also help to keep stone in place on ballasted roofs. Dual attachment points on both the face and horizontal surface allow for added flexibility when accommodating roof irregularities.

Material: Available in .040", .050", and .063" aluminum as well as 22 and 24-gauge Kynar 500-coated galvanized steel. The retainer cleat and spring clips are formed from 24-gauge steel with pre-slotted holes for fasteners (provided) to ensure proper placement. VersiTrim Crimp-On Canted Fascia is available in 12' standard lengths for fewer seams and faster installation.

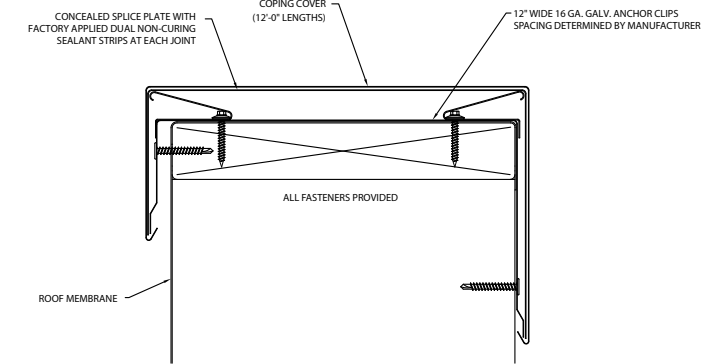
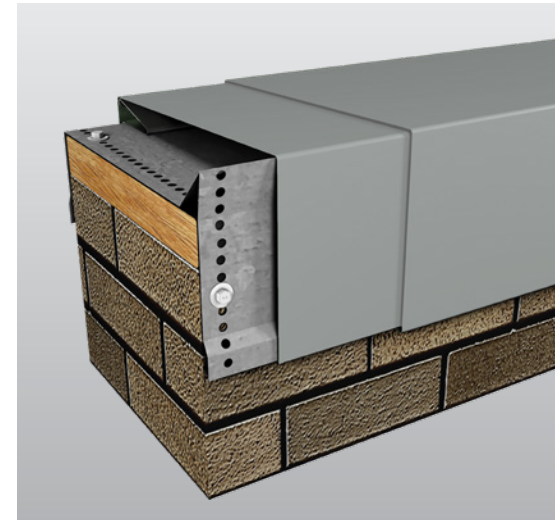
VersiTrim Snap-On Coping



Versico's VersiTrim Snap-On Coping utilizes a full snap-on design to ensure long-term positive attachment and ease of installation. It is custom-fabricated to meet your exact job requirements.

Material: Available in .040", .050" and .063" aluminum as well as 22-gauge and 24-gauge Kynar 500-coated galvanized steel. The retainer cleat and spring clips are formed from 20-gauge galvanized steel anchor clips and factory-applied stainless steel springs. VersiTrim Snap-On Coping is manufactured in 12' lengths and possesses a snap-on design for faster installation.

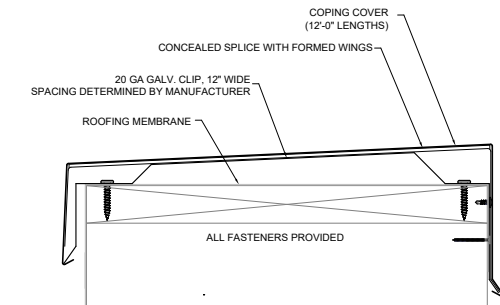
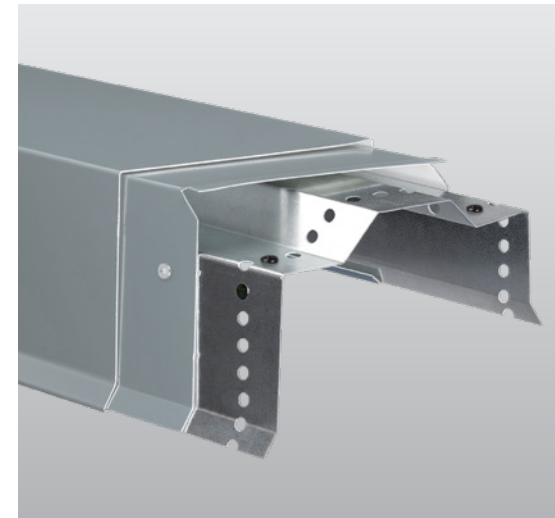
VersiTrim Gold Coping



Versico's VersiTrim Gold Coping utilizes a full snap-on design and features a heavy-duty 16-gauge galvanized steel cleat for increased wind resistance. All VersiTrim Copings come with 8" concealed splices with dual non-curing butyl sealant strips to prevent water infiltration and allow for thermal movement at joints.

Material: Available in .040", .050", and .063" aluminum and 22-gauge or 24-gauge Kynar 500-coated galvanized steel. The retainer cleat is available in 16- or 20-gauge steel with pre-slotted holes for fasteners (provided) to ensure proper placement. VersiTrim Gold Coping is available in 12' standard lengths for fewer seams and faster installation.

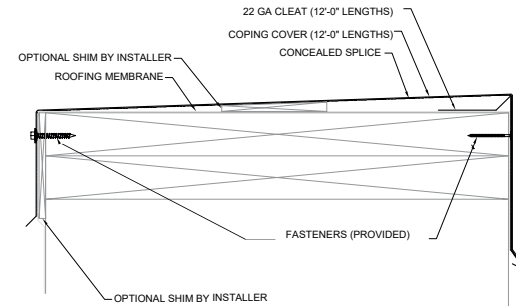
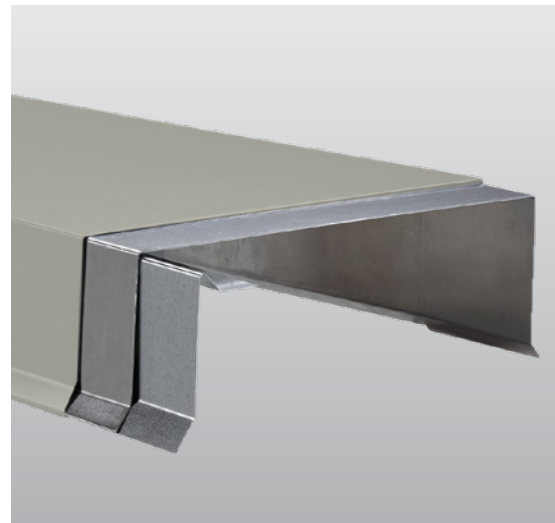
VersiTrim CF Snap-On Coping



Versico's VersiTrim CF Snap-On Coping is a three piece coping system consisting of coping clips, hidden splice plates, and a snap on coping cap that can be used to cap almost any parapet.

Material: Available in .063", .050" or .040" aluminum, and 22-gauge or 24-gauge Kynar 500 coated galvanized steel. Clips are formed from 20 gauge galvanized steel with pre-punched slotted holes. Standard coping cap length is 12' for fewer seams and faster installation.

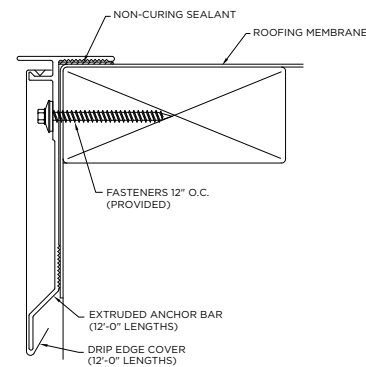
VersiTrim One Coping



Versico's VersiTrim One Coping was developed as a cost-effective prefabricated solution. VersiTrim One Coping is provided in 12' lengths with pre-punched holes for provided fasteners which simplifies the installation process and ensures a proper fit.

Material: Available in .063", .050" or .040" aluminum, and 22-gauge or 24-gauge Kynar 500 coated galvanized steel. This product features a 22-gauge galvanized steel continuous front cleat.

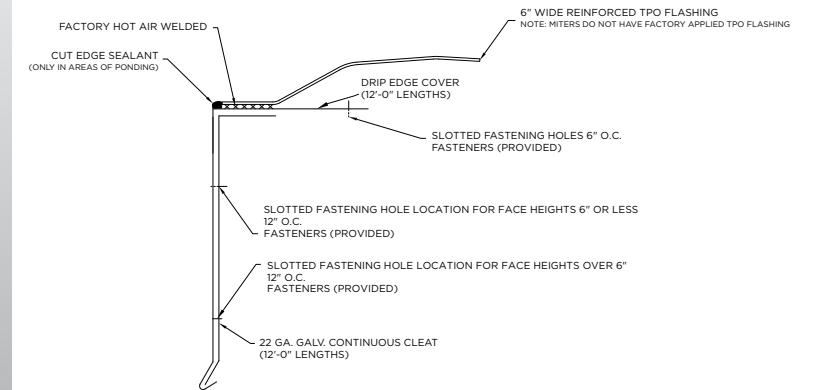
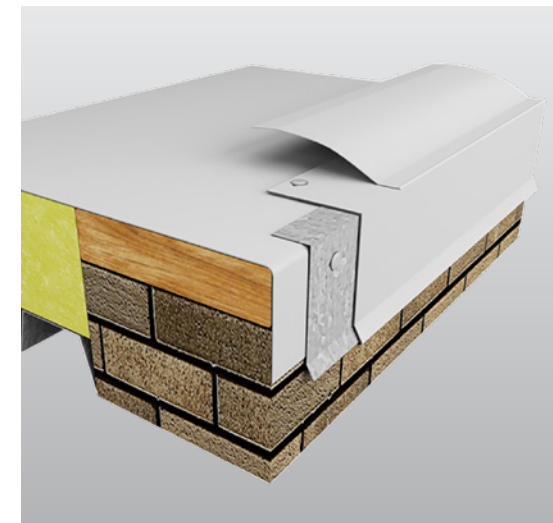
VersiTrim EX Drip Edge



Versico's VersiTrim EX Drip Edge features a patented low-profile extruded aluminum anchor bar and a non-penetrating snap on design that eliminates the need for stripping-in or heat-welding.

Material: Available in .040" aluminum and 24-gauge Kynar 500-coated galvanized steel. The retainer cleat is heavy-duty extruded aluminum with pre-slotted holes for fasteners (provided) to ensure proper placement. VersiTrim EX Drip Edge is available in 12' standard lengths for fewer seams and faster installation.

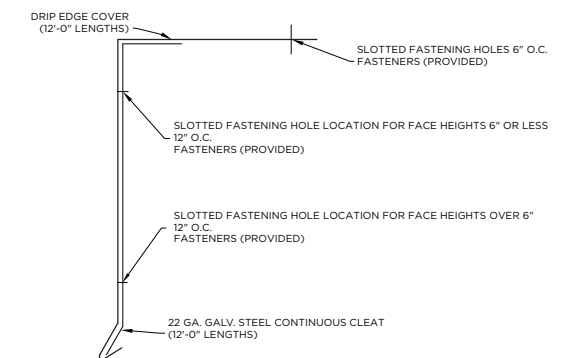
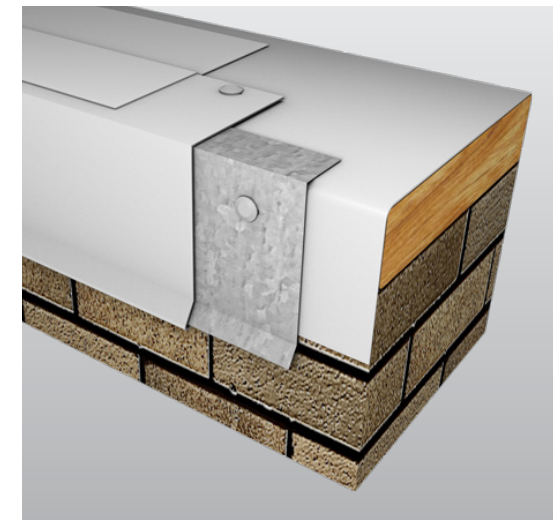
VersiTrim TPO & PVC Skirted Drip Edge



Versico's VersiTrim TPO & PVC Skirted Drip Edge features a 60-mil, 6"-wide, factory-heat-welded TPO or PVC membrane flashing skirt for a quicker installation and a high-quality, consistent weld between the coated metal and the flashing material. VersiTrim TPO & PVC Skirted Drip Edge feature pre-slotted fastening holes that allow for proper thermal movement of materials.

Material: Available in 24-gauge VersiWeld® TPO and VersiFlex™ PVC coated steel. The retainer cleat is formed from 22-gauge steel with pre-slotted holes for fasteners (provided) to ensure proper placement. VersiTrim TPO Skirted Drop Edge is available 12' standard lengths, while VersiTrim PVC Skirted Drip Edge is available in 10' lengths for fewer seams and faster installation.

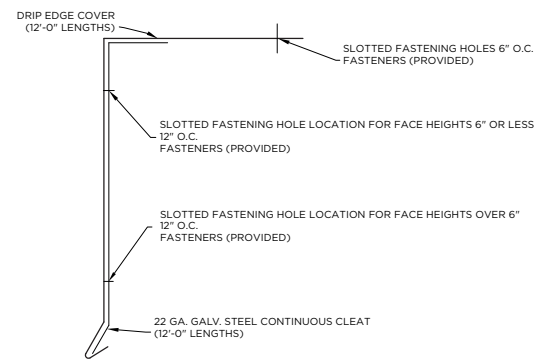
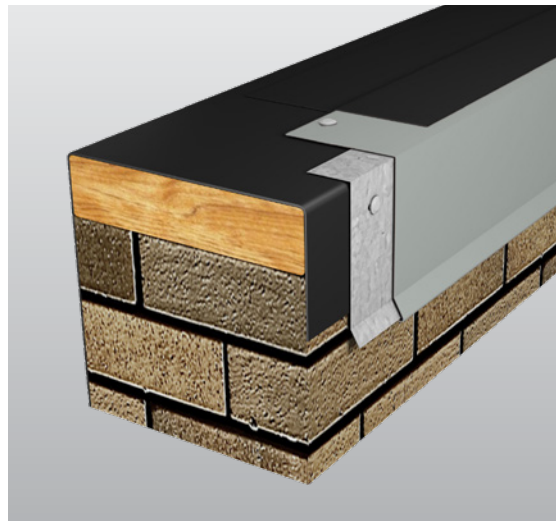
VersiTrim TPO & PVC Coated Drip Edge



Versico's VersiTrim TPO and PVC-Coated Drip Edge features an L-shaped continuous cleat with pre-slotted fastening holes for ease of installation. VersiTrim TPO Coated Drip Edge is manufactured in 12' lengths while the VersiTrim PVC Coated Drip Edge is manufactured in 10' lengths.

Material: Available in 24-gauge VersiWeld TPO and VersiFlex PVC coated steel. The retainer cleat is formed from 22-gauge steel with pre-slotted holes for fasteners (provided) to ensure proper placement.

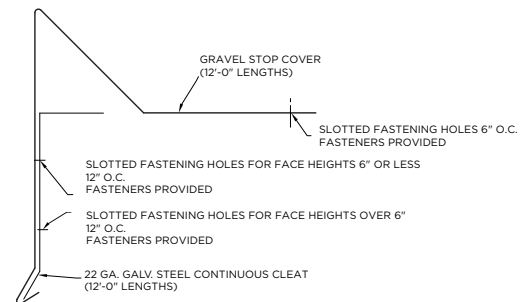
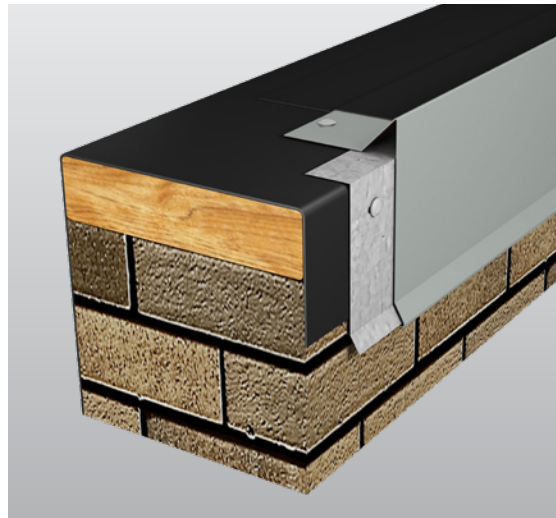
VersiTrim Drip Edge



Versico's VersiTrim Drip Edge is a two-part assembly that consists of an L-shaped continuous cleat and a decorative cover with pre-slotted fastening holes on the roof flange. Once the cleat and cover are fastened, the drip edge can be stripped-in using Versico Pressure-Sensitive Cover Strip and Primer.

Material: Available in .040", .050", and .063" aluminum and 24-gauge Kynar 500-coated galvanized steel. The retainer cleat is formed from 22-gauge steel with pre-slotted holes for fasteners (provided) to ensure proper placement. VersiTrim Drip Edge is available in 12' standard lengths for fewer seams and faster installation.

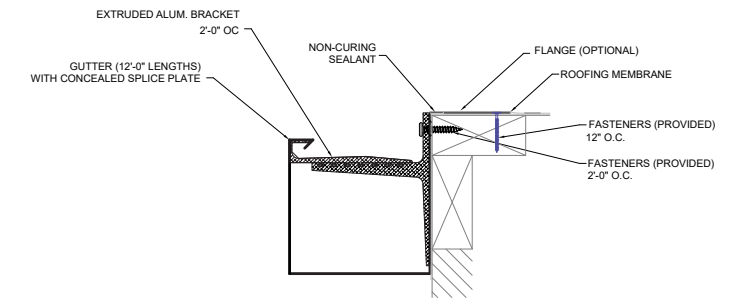
VersiTrim Gravel Stop



Versico's VersiTrim Gravel Stop's two-part assembly consists of an L-shaped continuous cleat and a decorative cover with pre-slotted fastening holes on the roof flange. Once the cleat and flange are fastened, the gravel stop can be stripped-in using Versico's Pressure-Sensitive Cover Strip and Primer. The rise at the edge of the roof is customizable (minimum of 1/2" high).

Material: Available in .040", .050", and .063" aluminum and 22-gauge or 24-gauge Kynar 500-coated galvanized steel. The retainer cleat is formed from 22-gauge steel with pre-slotted holes for fasteners (provided) to ensure proper placement. VersiTrim Gravel Stop is available in 12" standard lengths for fewer seams and faster installation.

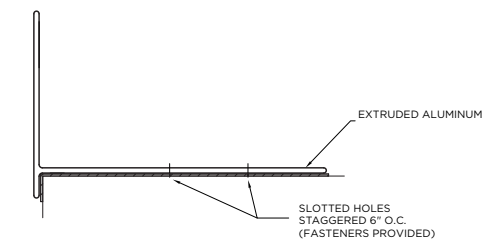
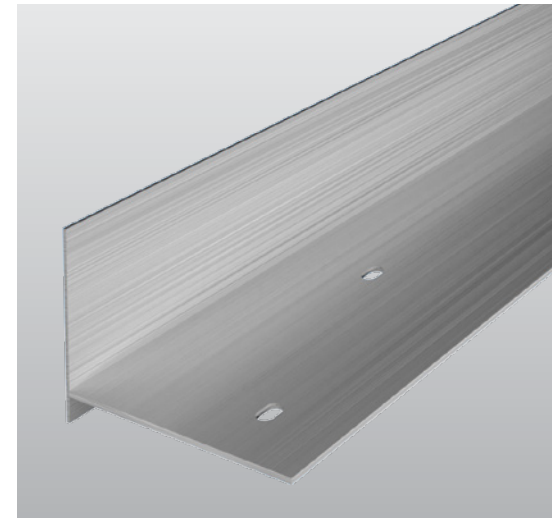
VersiTrim WR Gutter



Versico's VersiTrim WR Gutter system incorporates 1" wide extruded internal gutter brackets for strength and support. The system has been engineered to meet ANSI/SPRI GT-1 requirements for wind resistance and is available with 3 distinct looks to fit any building: box style, chamfer style, and offset.

Material: Available in .040", .050", or .063" aluminum, and 22-gauge or 24-gauge Kynar 500-coated galvanized steel. Gutter support brackets are extruded aluminum.

VersiTrim Eliminailer



Versico's VersiTrim Eliminailer is an alternative to traditional wood nailers, installed along the roof perimeter. Manufactured from heavy gauge extruded aluminum, this product will not crack warp split or rot; it is not a food source for insects, it is noncombustible and will not absorb moisture. It enhances the structural strength of the roof's edge, significantly lowers the risk of failure, and provides protection against costly damage and blow-off. Available in different sizes for low-slope, non-tapered, and pitched metal roof retrofits, the VersiTrim Eliminailer allows continuous insulation extending directly to the roof's edge, improving thermal efficiency. Its installation is quick and simple, with pre-punched holes to ensure correct placement every time.

Material: Extruded using heavy gauge aluminum, and available in 12' lengths.

VersiTrim Edge Metal Series Color Chart

STONE WHITE	BONE WHITE	REGAL WHITE	SANDSTONE	ALMOND
SIERRA TAN	BUCKSKIN	MEDIUM BRONZE	DARK BRONZE	BURNISHED SLATE
MIDNIGHT BRONZE	ANTIQUÉ BRONZE	AGED BRONZE	MANSARD BROWN	BLACK
ONYX	IRON ORE	GRAPHITE	CITYSCAPE	SLATE GRAY
GRANITE <i>L</i>	MUSKET GRAY	CHARCOAL	HEMLOCK GREEN	PATINA GREEN
FOREST GREEN	HARTFORD GREEN	TERRA COTTA	COLONIAL RED	CARDINAL RED
MILITARY BLUE	PACIFIC BLUE	INTERSTATE BLUE	AWARD BLUE	SILVER <i>P</i>
ZINC <i>P</i>	WEATHERED ZINC <i>P</i>	CHAMPAGNE <i>P</i>	COPPER PENNY <i>P</i>	DREXLUME™ <i>M</i>

P = PREMIUM

M = MILL FINISH

L = LOW GLOSS COLOR

VersiTrim Edge Metal Series Color Chart

● = Standard Product

✓ = CRRC Approved Finishes

Product Options	SR	SRI	24 ga x 48"	22 ga x 48"	0.032 x 48"	0.040 X 48"	0.050 x 48"	0.063 x 48"	Cool Roof Rated	
Standard Colors										
Aged Bronze	0.29	29	●						✓	
Almond	0.53	62	●	●	●	●	●		✓	
Antique Bronze	0.29	28	●		●	●			✓	
Black	0.04	-2	●		●	●	●	●		
Bone White	0.67	81	●	●	●	●	●	●	✓	
Buckskin	0.38	41	●		●				✓	
Burgundy	0.24	23	●							
Burnished Slate	0.32	33	●							
Charcoal	0.27	27	●		●	●	●		✓	
Cityscape	0.44	49	●	●	●	●	●		✓	
Colonial Red	0.32	34	●		●	●	●		✓	
Dark Bronze	0.26	24	●	●	●	●	●	●	✓	
Evergreen	0.28	27	●							
Forest Green	0.10	6	●		●	●				
Graphite	0.29	29	●							
Hartford Green	0.29	29	●			●				
Hemlock Green	0.29	29	●		●				✓	
Interstate Blue	0.13	8	●		●		●			
Iron Ore	0.27	26	●		●	●	●		✓	
Mansard Brown	0.29	29	●	●	●	●	●		✓	
Medium Bronze	0.26	26	●	●	●	●	●	●	✓	
Midnight Bronze	0.06	0	●							
Military Blue	0.29	29	●		●				✓	
Musket Gray	0.31	32	●	●	●		●		✓	
Onyx	0.26	25	●	●						
Pacific Blue	0.25	24	●		●				✓	
Patina Green	0.33	34	●						✓	
Regal White	0.60	78	●		●	●				
Sandstone	0.49	56	●	●	●	●	●	●	✓	
Sierra Tan	0.36	39	●	●	●	●	●	●	✓	
Slate Gray	0.37	40	●	●	●	●	●		✓	
Stone White	0.64	77	●	●	●	●	●	●	✓	
Teal	0.26	25	●		●	●			✓	
Terra Cotta	0.36	39	●		●		●		✓	
Low Gloss Colors										
Berkshire Blue	0.30	31	●							
Classic Bronze	0.29	28	●						✓	
Granite	0.32	33	●	●	●	●	●		✓	
Inkwell	0.27	26	●							
Traditional Black	0.20	17	●		●					
Weathered Steel	0.34	34	●							
Metallics										
Anodic Clear	0.32	31				●				
Champagne	0.40	42	●		●	●	●		✓	
Copper Penny	0.47	53	●		●	●			✓	
Silver	0.49	54	●	●	●	●	●		✓	
Silversmith	0.32	34				●				
Weathered Zinc	0.26	23	●	●	●		●		✓	
Zinc*	0.33	35	●		●	●			✓	
Exotics - 10-year Color Fade Warranty										
Award Blue (10-YR)*	0.21	17	●		●					
Cardinal Red (10-YR)*	0.37	39	●		●				✓	
Bare Products										
Drexlume™			●	●						
Mill Finished Aluminum					●	●	●	●		
Clear Anodized					●	●	●	●		
Dark Bronze Anodized					●	●	●	●		
Black Anodized					●	●	●	●		
HDG G90			● 16ga x 48" x 120" ● 18 ga x 48" x 120" ● 20 ga x 48" x 120" ● 22 ga x 48" x 120"							

- High-performance painted perimeter edge products.
- Versico Roofing Systems standard sheets come in 48" x 120".
- 35-year paint warranty on Galvalume® and Aluminum substrates, excluding Exotics.
- 25-year warranty on Drexlume™.

- Not all colors and gauges are stocked in all locations. Contact your Versico Independent Sales Representative for specific stocking information and special requests.

- Custom colors available.
- Oil canning is not a cause for rejection.

SHERWIN-WILLIAMS
Coil Coatings

Colors shown represent the actual color as closely as possible. To ensure exact color for final approval, a metal color chip is available. Warranty statements mentioned are outlines; complete Limited Warranty information is available on request. No other warranty expressed or implied is applicable. Please call or visit www.versico.com for more details.

Versico's VersiTrim Custom Products and Accessories

Custom Products

Versico offers custom fascia and other edge metals to meet any architectural building design.

Counter Flashing

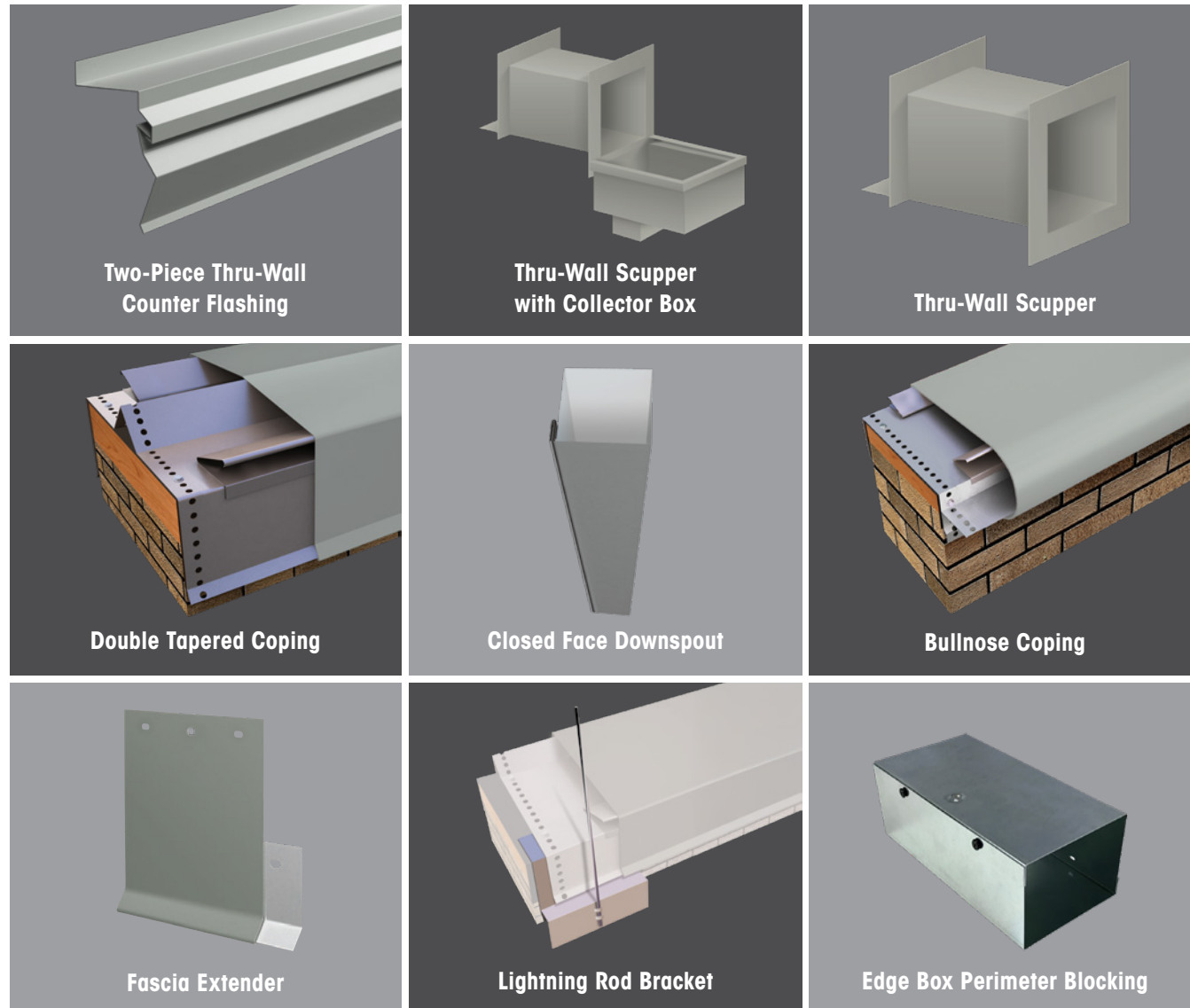
VersiTrim Counter Flashing is available in five different configurations: one-piece surface mount, one-piece reglet, two-piece surface mount, two-piece reglet, and two-piece thru-wall. All are available in 24-gauge steel and .040" and .050" aluminum.

Water Control Accessories

Versico offers a variety of water control accessories, including: Thru-Wall Scuppers, Collector Boxes, Downspouts, and custom Brick Wall Caps. All products are offered in a variety of materials, thicknesses, and colors which can be customized to meet project-specific requirements.

Perimeter Edge Blocking

Versico offers an engineered metal edge box system that replaces traditional wood blocking or nailers at the perimeter of a roof system with a formed 20 ga. galvanized steel assembly.





A SINGLE SOURCE FOR SINGLE-PLY ROOFING

800.992.7663 • www.versico.com