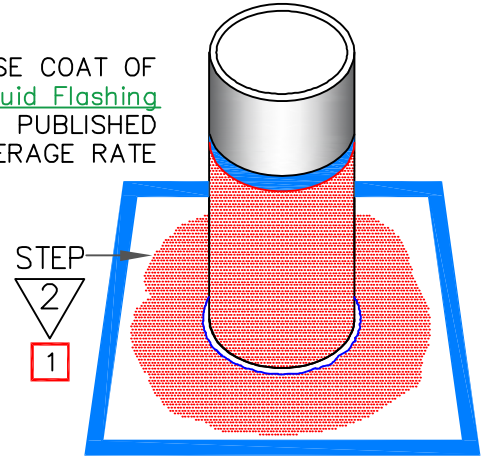
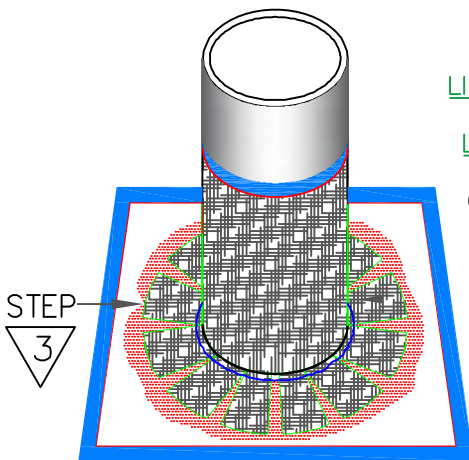


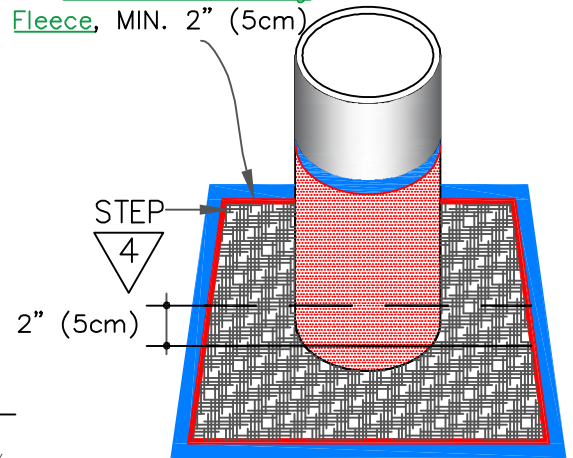
APPLY BASE COAT OF LIQUISEAL Liquid Flashing Resin PER PUBLISHED COVERAGE RATE



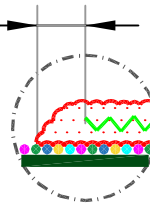
APPLY BASE COAT OF LIQUISEAL Liquid Flashing Resin ON HORIZONTAL SURFACES. IMMEDIATELY PRESS FLEECE INTO RESIN AND OVERLAP LIQUISEAL Flashing Fleece, MIN. 2" (5cm)



IMMEDIATELY PRESS LIQUISEAL Flashing Fleece, INTO THE APPLIED LIQUISEAL Liquid Flashing Resin. APPLY SECOND COAT OF RESIN. ENSURE ALL ENDS OF FINGERS ARE PROPERLY EMBEDDED.



FLEECE MUST BE COVERED 1/4" - 1/2" (1cm - 1.5cm) PAST ALL EDGES



NOTES:

1. FOR MULTIPLE PIPE PENETRATIONS SEE STEP ZERO ON SHEET LF-8.1B AND FOLLOW REST OF THE STEPS AS SHOWN FOR SINGLE PIPE FLASHING.
2. REFER TO TABLES ON SHEETS ATTACHMENT 1-2 FOR DETAILED INSPECTION, CLEANING AND PRIMING FOR DIFFERENT MATERIALS WITHIN THE FLASHING AREAS.
3. SEE PAGE 2 OF 2 FOR ADDITIONAL NOTES.

APPLY A TOP COAT OF LIQUISEAL Liquid Flashing Resin, ENSURING THE FLEECE IS COMPLETELY SATURATED PER PUBLISHED COVERAGE RATE AND APPLY 1/4"-1/2" (1cm-1.5cm) BEYOND THE FLEECE EDGES

