

Cant Strip and Tapered Edge



Cant Strip



Tapered Edge

Overview

Cant Strip and Tapered Edge are widely accepted, high-quality, low-slope roofing products. Each is durable, lightweight, and environmentally friendly. These components are factory-fabricated. The Cant Strips are cut at angles that provide a true 45-degree angle between horizontal and vertical surfaces. The Tapered Edge is cut on angles that slope from zero on one edge to 1/2" to 2" thickness on the opposite edge.

Both the Cant Strip and the Tapered Edge offer excellent transition and sloping properties. Cant Strips provide a smooth transition from horizontal to vertical surfaces. Tapered Edge Strips are designed for a smooth transition from lower to higher elevations. The taper is manufactured to enhance roof drainage and reduce ponding water wherever there is a change in elevation. They are easily fabricated for installation around roof edges, drains, or in locations where a slope to 0" is required.

Features and Benefits

- More durable than perlite
- High R-value
- Dimensionally stable
- Environmentally friendly, 100% recyclable wood fiber
- May contribute to LEED® credits
- Lightweight and cuts with a knife

Typical Properties and Characteristics

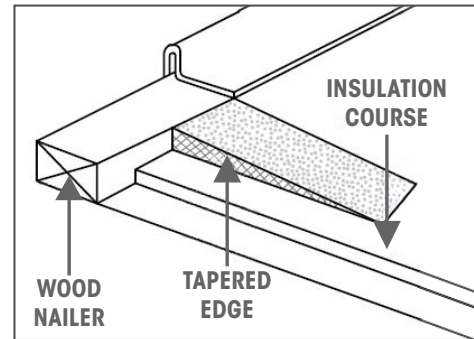
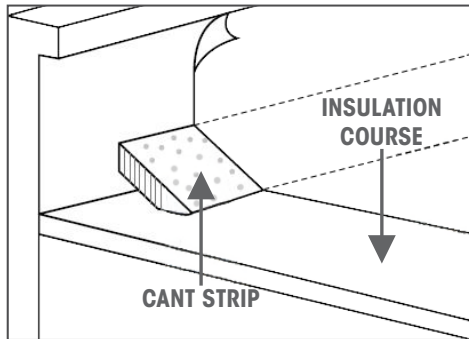
Physical Property	Typical Value	Test Method
Water Absorption	≤10%	ASTM C 209
Traverse Strength @ 1.5"	24 lbf	ASTM C 209
Tensile Strength (Perpendicular)	500 lbf/ft. ²	ASTM C 209
Density	14-16 pcf	ASTM D 1037
R-Value @ 1.5" Thickness	3.5 h-ft. ² -F/Btu	ASTM C 518

LEED® Information

May help contribute to: Materials & Resources (MR) Credit	Recycled Content Regional Materials Rapidly Renewable Materials
Indoor Environmental Quality (IEQ) Credit:	Low-Emitting Materials – Composite Wood and Agrifiber Products

Cant Strip and Tapered Edge

Installation



Cant Strip – Install for a sloping transition of horizontal to vertical surfaces.

Tapered Edge – Elevate and slope roof for positive drainage. Tapered Edge can be installed on wood, metal, or concrete decks. Tapered Edge improves roof drainage, eliminates ponding water, and can be used on both new construction and re-roofing projects.

Cant Strip

Product Name	Specific Measurements	Shape
1" x 3"	1" T x 2 3/4" F x 48" L	
1" x 4"	1" T x 3 3/4" F x 48" L	
1 1/2" x 4"	1 1/2" T x 3 5/8" F x 48" L	
1 1/2" x 5"	1 1/2" T x 5" F x 48" L	

Tapered Edge Strip

Product Name	Specific Measurements	Shape
1/2" X 6"	1/2" to 0" T x 6" W x 48" L	
1/2" X 12"	1/2" to 0" T x 12" W x 48" L	
1" X 8"	1" to 0" T x 8" W x 48" L	
1" X 12"	1" to 0" T x 12" W x 48" L	
1" x 18"	1" to 0" T x 18" W x 48" L	
1" X 24"	1" to 0" T x 24" W x 48" L	
1 1/2" X 12"	1 1/2" to 0" T x 12" W x 48" L	
1 1/2" X 18"	1 1/2" to 0" T x 18" W x 48" L	
1 1/2" X 24"	1 1/2" to 0" T x 24" W x 48" L	
2" X 24"	2" to 0" T x 24" W x 48" L	

Specifications

Conforms to ASTM C 208, Type II – Roof insulation board.

A SINGLE SOURCE FOR SINGLE-PLY ROOFING

800.992.7663 • www.versico.com

